

Model #

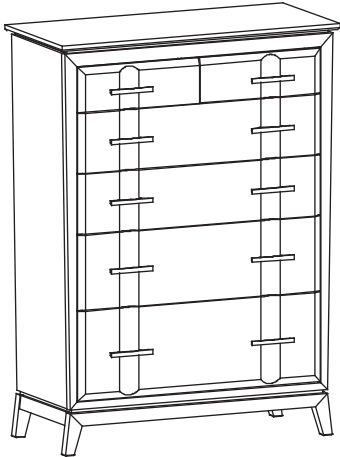
1143DUETb

6-Drawer

Addison Chest

DUET = Natural finish

Assembly Instructions



Thank you for allowing us to help you furnish your home. We are certain you will be delighted with your new furniture for many years to come.

IMPORTANT NOTES:

- For normal household use only. *Not* recommended for commercial use.
- Do not climb, sit or stand on this piece of furniture.
- Do not overload the drawers.
- Unload items before you move this unit.
- This assembly requires two people.

WARNING

Serious or fatal crushing injuries can occur from furniture tip-over. Use of tip-over restraints may only reduce but not eliminate the risk of tip-over.

To help prevent tip-over:

- Place heaviest items in the bottom drawers.
- Unless specifically designed to accommodate, do not set TVs or other heavy objects on top of this product.
- Never allow children to climb or hang on drawers, doors or shelves.
- Never open more than one drawer at a time.
- Do not defeat or remove the drawer interlock system.

Warning: At least one tipping restraint kit was included with your piece of Whittier Wood Furniture. When you receive your furniture, be sure to find and properly install the tipping restraint(s). If you cannot locate the restraint(s), please contact us immediately for replacement.

Drilling, sawing, sanding or machining wood products can expose you to wood dust, a substance known to the state of California to cause cancer. Avoid inhaling wood dust or use a dust mask or other safeguards for personal protection.

For more information go to: www.p65warnings.ca.gov/wood

This product can expose you to chemicals, including formaldehyde, which are known to the State of California to cause cancer.

For more information go to: www.p65warnings.ca.gov/furniture

DESIGN SUBJECT TO CHANGE WITHOUT NOTICE.

CUSTOMER SERVICE

If you ever have questions about your furniture, please do not hesitate to contact us. In the unlikely event you need a replacement part; we can make those parts available through an authorized Whittier Wood Furniture dealer. If you cannot order replacement parts through your dealer, please contact our customer service department.

Hours: Our friendly customer service staff can be reached:

Monday-Friday 8:00 a.m. to 5:00 p.m. (Pacific Time).

You may leave a message 24 hours a day, seven days a week.

Customer Service: 800-653-3336 • **Outside the U.S.:** 541-687-0213

Fax: 541-687-2060 • **Email:** info@whittierwood.com

**Whittier
Wood**
FURNITURE

P.O. Box 2827
Eugene, OR 97402 USA

Production Code:


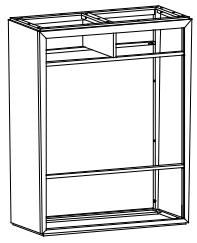
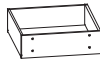


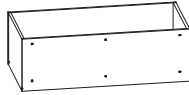
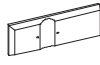
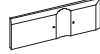
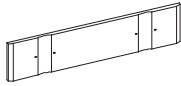
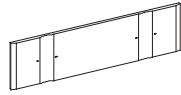
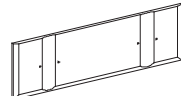
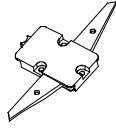





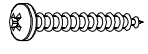
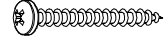
VN

02/17

1143DUETb 6-Drawer Addison Chest

Parts List

Please identify the parts and check that quantities received match those on this list.
If you need to replace a part, refer to the following letter and part name.

Part	Description	Quantity
A	Top Assembly 	1
Bb	Case 	1
C	Left/Right Top Drawer Box (inserted) 	2
D	Small Lower Drawer Box (inserted) 	2
E	Medium Lower Drawer Box (inserted) 	1
F	Large Lower Drawer Box (inserted) 	1
G	Left Top Drawer Face (installed) 	1
H	Right Top Drawer Face (installed) 	1
I	Small Lower Drawer Face (installed) 	2
J	Medium Lower Drawer Face (installed) 	1
K	Large Lower Drawer Face (installed) 	1
L	Anti-Tip Snapper (attached) 	1
M	Drawer Clip (attached) 	2
Nb	14" Drawer Slides (pre-installed sets) 	6
O	#6 x 3/4" Philtruss Screw (inserted) 	39
P	#6 x 1/2" Philtruss Screw (inserted) 	42
Q	#8 x 1-1/8" Lo-Profile Screw (inserted) 	7
R	#8 x 1" Pan Head Screw (inserted) 	16
S	#8 x 1-1/4" Pan Head Screw (inserted) 	9

1143DUETb 6-Drawer Addison Chest
Parts List

Part	Description	Quantity
T	#8 x 7/8" Black Lo-Profile Screw (inserted)	40
U	#8 x 1-3/4" Pan Head Screw (inserted)	9
V	#8 x 1-1/4" Black Screw (inserted)	5
W	#8 x 1-5/8" Machine Screw Tuscan (installed)	20
X	#8 Washer (inserted)	9
ZA	1/4" x 20mm Insert Nut (inserted)	4
ZB	5/32" x 10mm Insert Nut (inserted)	20
ZC	Black Walnut Pull (attached)	10
ZD	Small Adjustable Glide (installed)	4
ZE	Base (attached)	1
ZF	Front 4-Hole Bracket (attached)	2
ZG	Back 6-Hole Bracket (attached)	2
ZH	#6 x 3/4" Brass Flat Head Screw (inserted)	20
ZI	#8 x 1-5/8" Black Screw (inserted)	8
ZJ	#8 x 2" Black Screw (inserted)	12
TS	Furniture Tipping Restraint (attached)	1 set

1143DUETb 6-Drawer Addison Chest

Assembly Instructions

Tools Required: Phillips Screwdriver, Pencil.

1. Remove screws from the plywood supports and side aprons. Recycle or discard. See Figure 1.

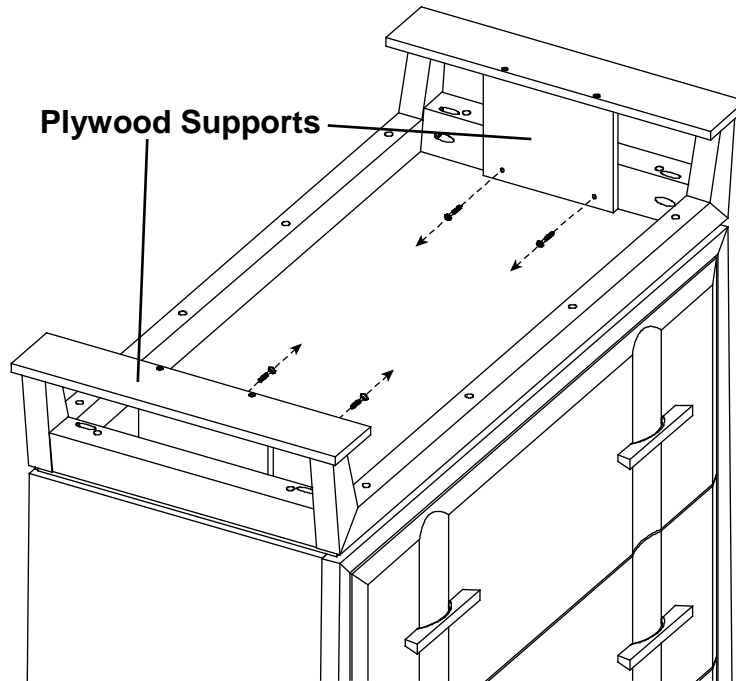


Fig. 1

2. This piece of furniture includes a drawer interlock system allowing only one lower drawer to be open at a time. This is a safety feature to reduce the risk of tip over. Do not defeat or remove the drawer interlock system.
3. Place the chest at its final destination. Rotate the Small Adjustable Glides (ZD) on the bottoms of the legs until the unit is level. See Figure 3.

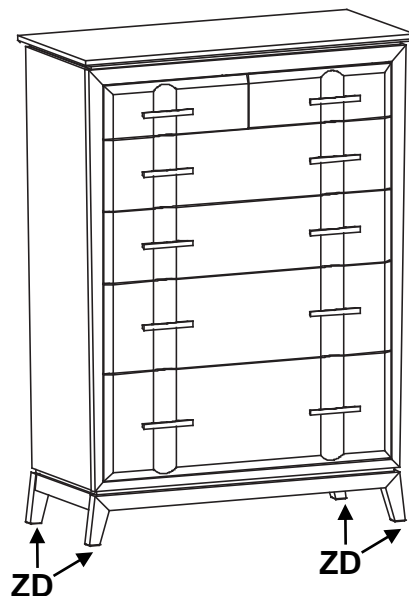
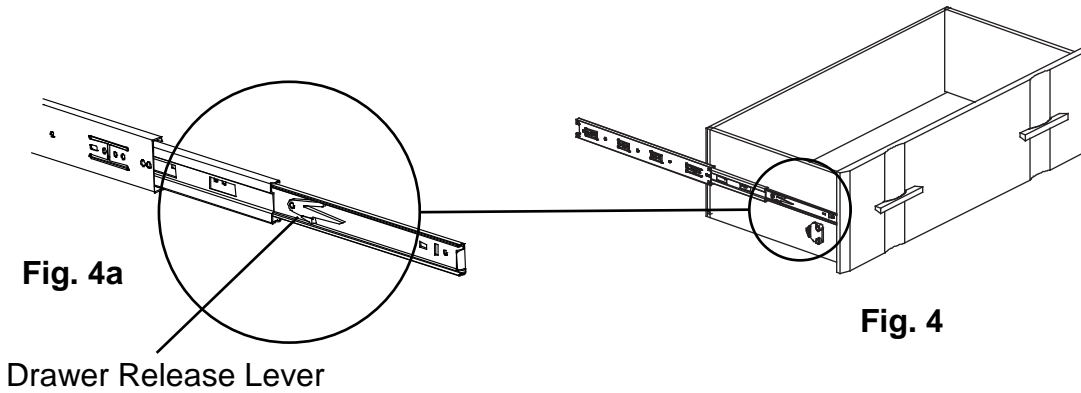


Fig. 3

1143DUETb 6-Drawer Addison Chest

Assembly Instructions

4. If you need to remove your drawers, pull up on the left Drawer Release Lever while pushing down on the right Drawer Release Lever and pull out the drawer. See Figures 4 and 4a. Note where each drawer came from to make sure you place them back into their correct positions.



5. When removing drawers from furniture featuring the Anti-Tip Drawer Interlock System it is important that the drawer be installed back in its original location. Numbers and letters are stamped on the back of the drawers. Stamping sequence starts at the bottom, moves to the top and designated left or right.

Drawer back stamping example:

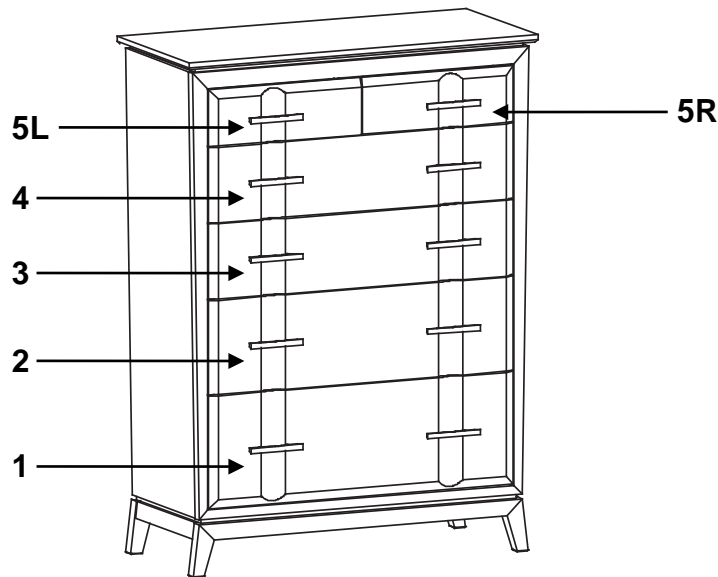
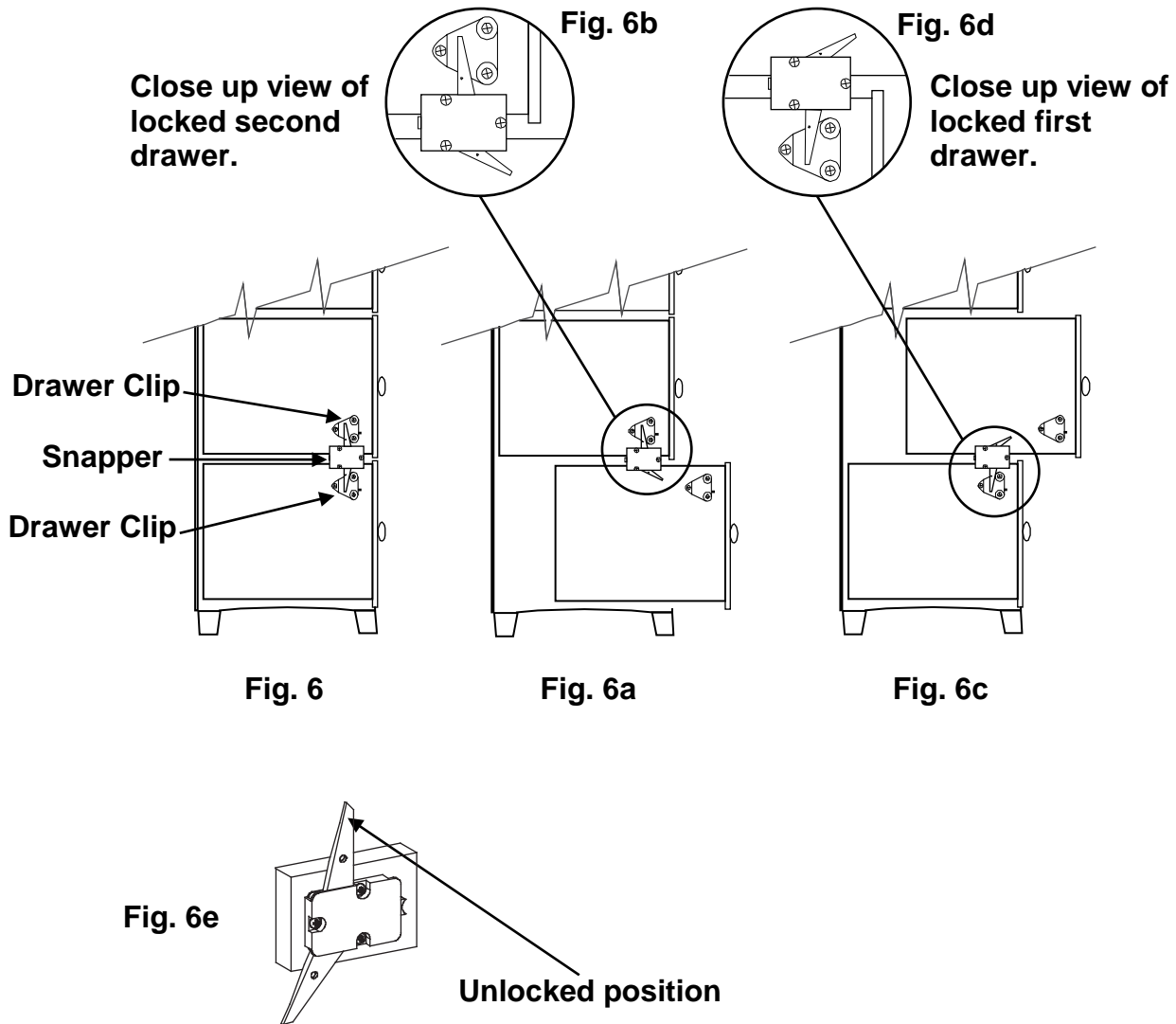


Fig. 5

1143DUETb 6-Drawer Addison Chest

Assembly Instructions

6. Example; if you want to remove the First Drawer and Second Drawer from the chest; remove the Second Drawer first. When you remove this drawer the upper arm on the Anti-Tip Snapper for that side will be pulled forward. See Fig. 6d. As long as this arm is angled toward the front of the case, you cannot remove the First Drawer. Move the upper arms of the Anti-tip Snapper to the unlocked position as shown in Figure 6e. You can then remove the First Drawer as shown in Step 4. To reinstall the drawers, install the First Drawer then move the upper arm of the Anti-tip Snapper to the forward locked position. Now you can reinstall the Second Drawer.



1143DUETb 6-Drawer Addison Chest
Assembly Instructions

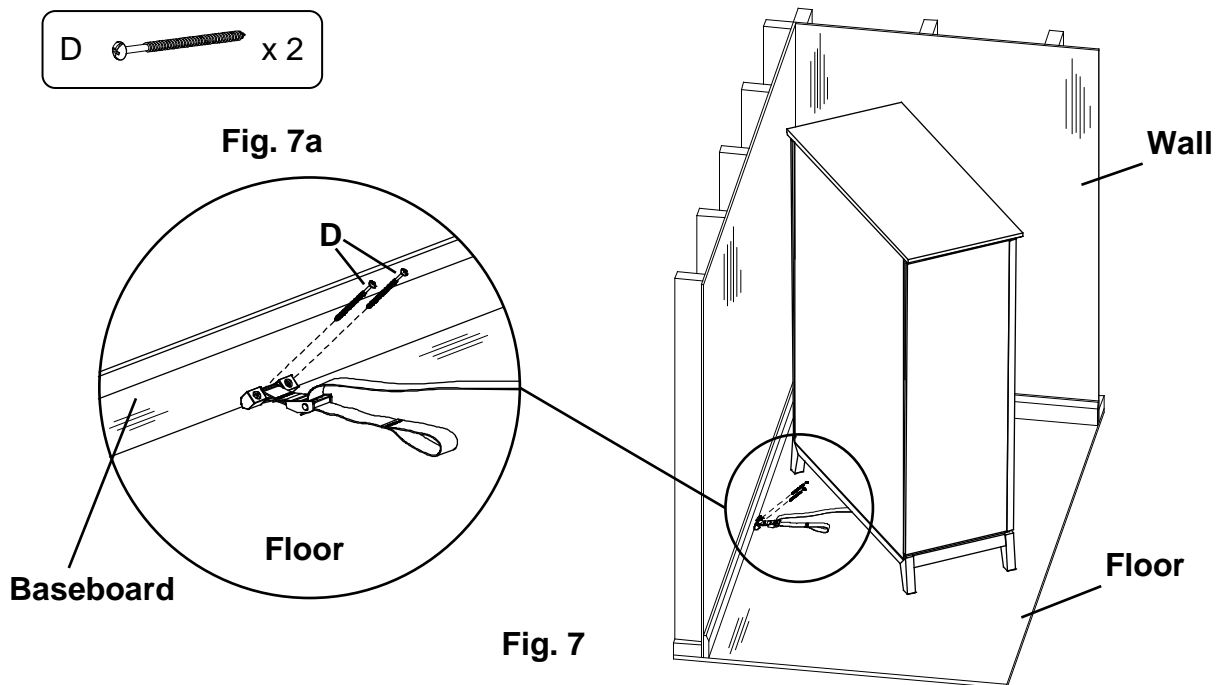
Furniture Tipping Restraint Instructions

Before you begin this assembly, identify each part and make sure the quantities received match what is on this list. If you need to replace a part, contact Whittier Wood Furniture customer service and refer to the following list for its name and letter code.

Part	Description	Quantity
A	Cam Buckle and Short Strap (installed)	1
B	Plastic Bracket (installed)	1
C	1" x 1000mm Long Strap (installed)	1
D	#8 x 3" Pan Head Screw	2
E	#10 x 1" Oval Head Screw (inserted)	1
F	Washer	1

If you have a stone or tile floor or do not wish to drive screws into the corner of the baseboard and floor see the instruction included inside the tipping restraint kit for an alternate installation.

- Decide where you want to place the piece of furniture in your room. Mark the baseboard with a pencil mark directly behind the location where the tipping restraint is attached to your item. Move the item away from the wall far enough to allow you to access the spot where the baseboard meets the floor. Position the straps and Plastic Bracket (B) as shown in Figures 7 and 7a with the angled corners of the Plastic Bracket (B) firmly placed against the seam of the baseboard and floor. Attach by driving #8 x 3" Pan Head Screws (D) through the holes in the Plastic Bracket (B) into the seam below the baseboard where it meets the floor. See Figures 7 and 7a.



1143DUETb 6-Drawer Addison Chest

Assembly Instructions

8. Move the item back into position against the wall and reach underneath the piece of furniture to grasp the loop in the free end of the strap. Pull the free end of the strap until portion between the Cam Buckle (A) and the back apron of the item is tight. See Figures 8 and 8a. If you need to move the piece of furniture reach beneath and locate the buckle which connects the two sections of the strap and depress the release lever, then pull on the section of strap that is between the buckle and the back apron of the furniture until there is enough slack to allow you to pull the item away from the wall.

