



# ASSEMBLY INSTRUCTION

Description: KITCHEN WORKCENTER

Dimension: 48"W x 32"D x 36"H

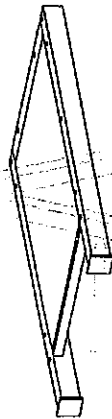
ITEM No : 499

TOLL FREE: 1 888 944 8396

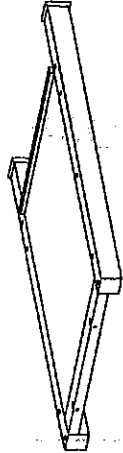
## PARTS LIST



A- TOP PANEL (x1)



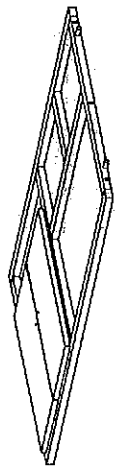
B- RIGHT SIDE PANEL (x1)



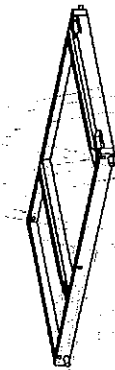
C- LEFT SIDE PANEL (x1)



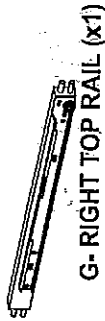
D- BACK PANEL (x1)



E- FRONT PANEL WITH DOOR (x1)



F- CENTER DIVIDER (x1)



G- RIGHT TOP RAIL (x1)



H- CENTER TOP RAIL (x1)



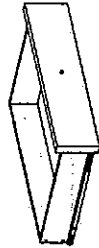
I- LEFT TOP RAIL (x1)



J- BOTTOM RAIL (x1)



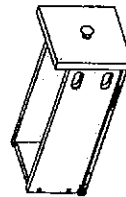
K- BOTTOM SHELF (x1)



L- SMALL ASSEMBLED DRAWER (x1)

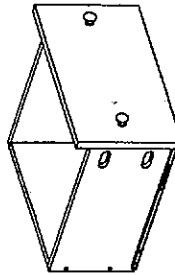


M- BANANA SUPPORT (x2)



N- SQUARE DRAWER (x2)

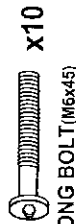
(Drawer have separate assembly instruction page 5)



O- RECTANGULAR DRAWER (x1)

(Drawer have separate assembly instruction page 6)

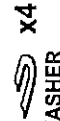
## HARDWARE LIST



1. LONG BOLT (M6x45) x10



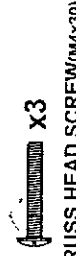
2. SHORT BOLT (M6x35) x5



3. U- WASHER x4



4. WOOD SCREW (M4x35) x18



5. TRUSS HEAD SCREW (M4x30) x3

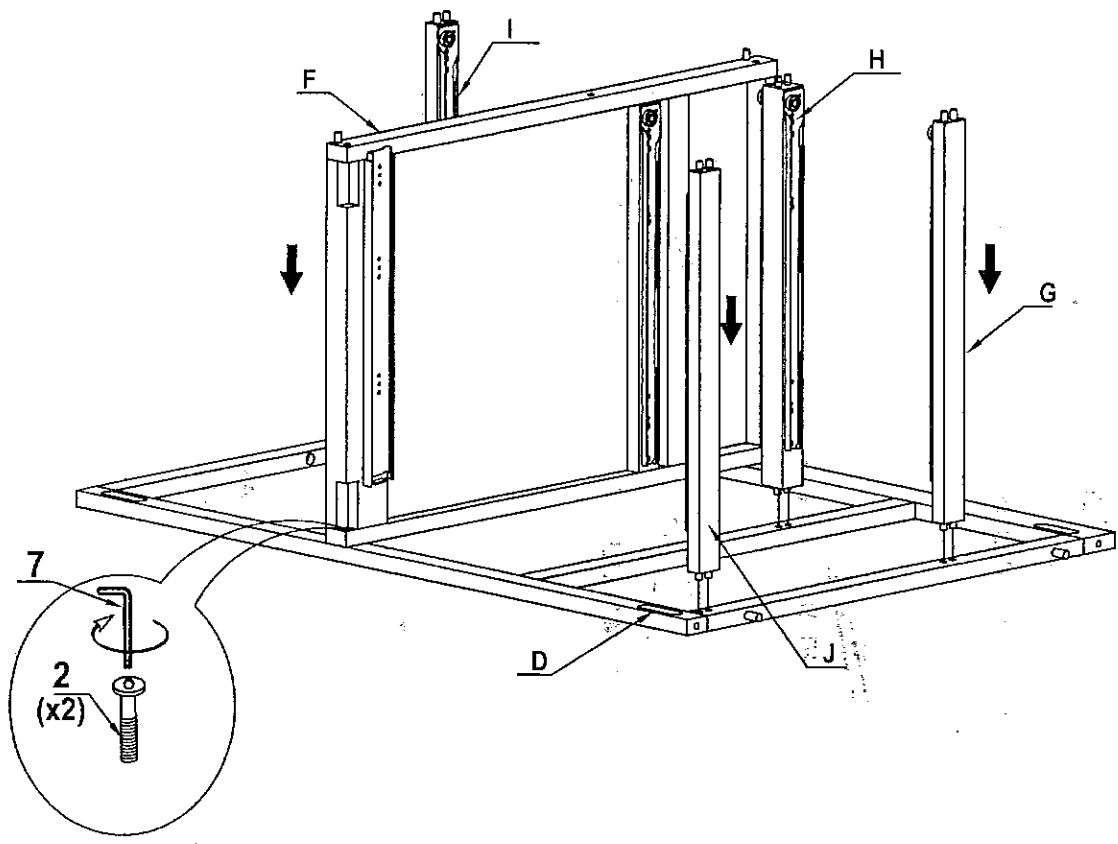


6. WOODEN KNOB x3

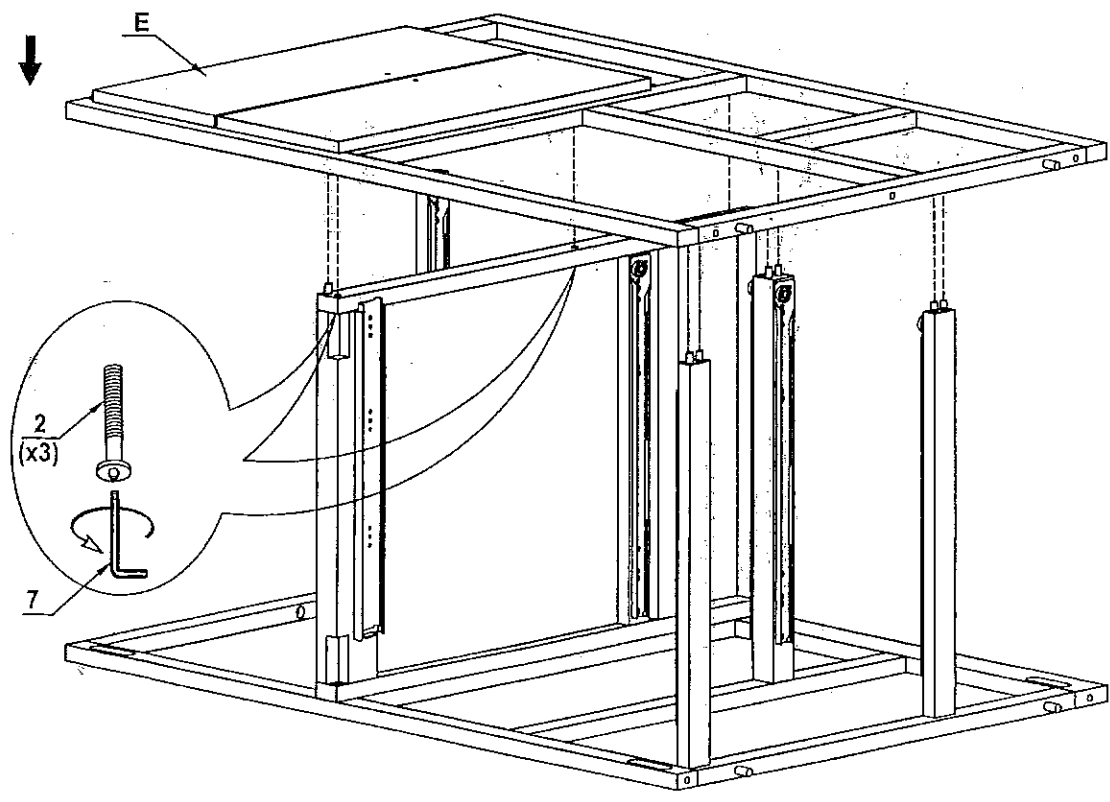


7. ALLEN KEY M4 x1

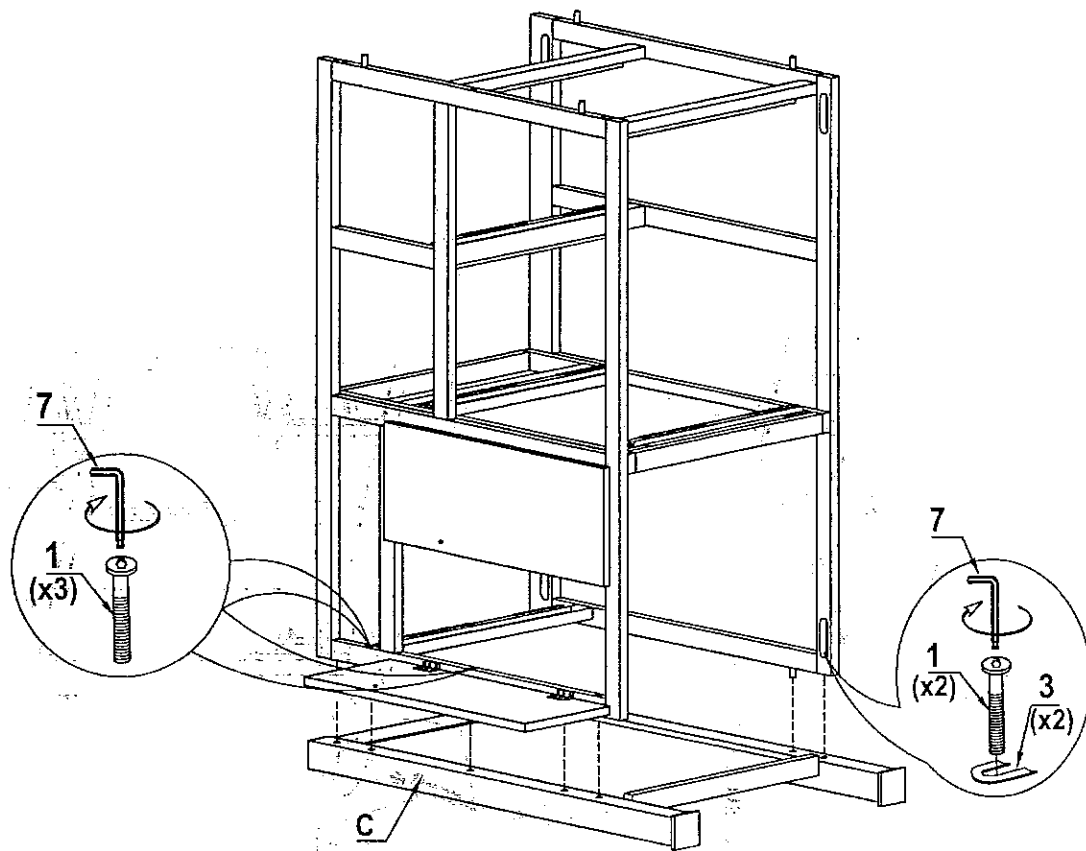
1



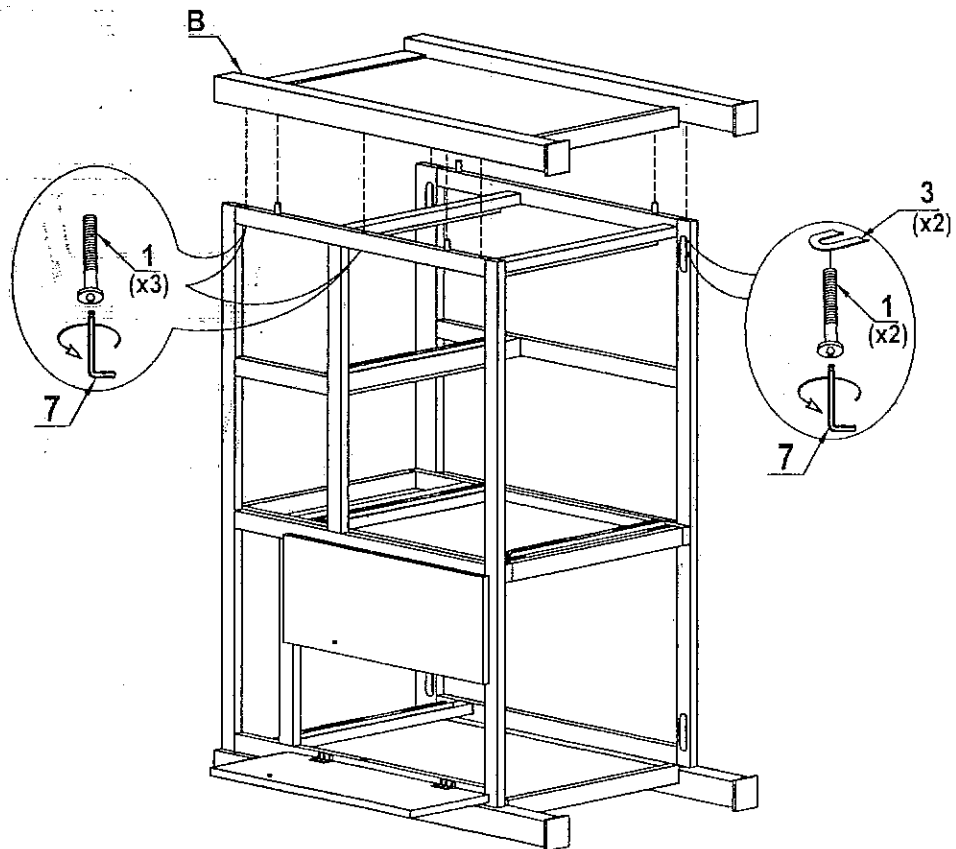
2



3



4



New Ver, Feb., 2008

