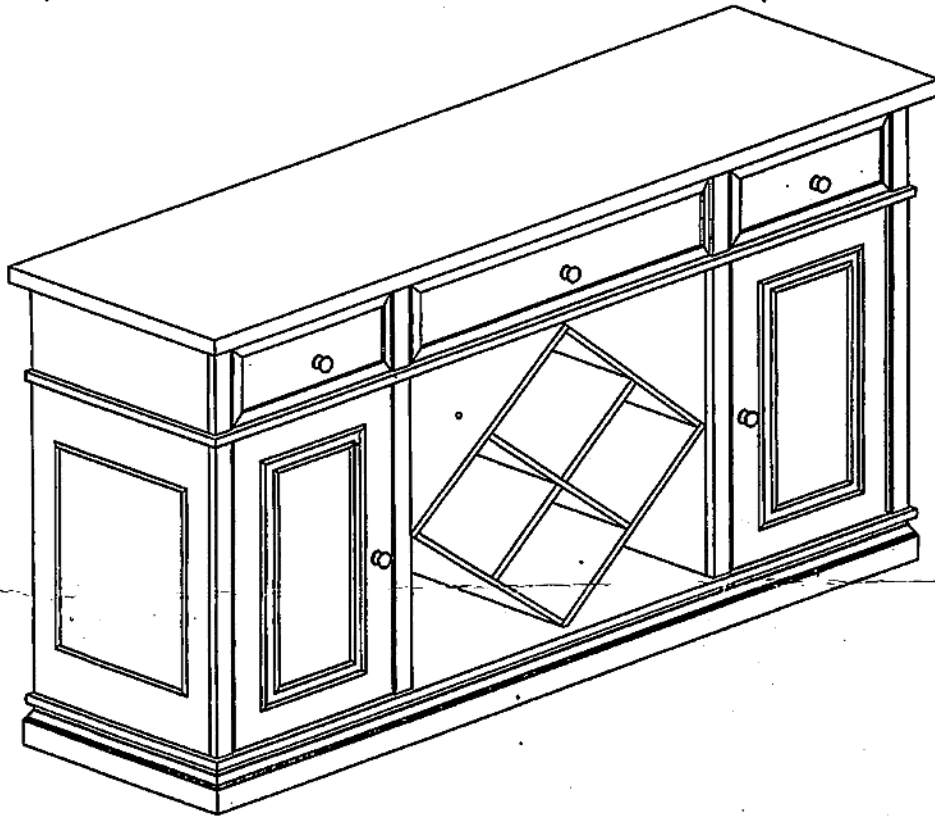


# ASSEMBLY INSTRUCTIONS

---



---

Description : WINERACK INSERT FOR STURBRIDGE BUFFET  
Item No. : B-6-WINE RACK AND B-6A AND B-6B

ITEM NO : B-6-WINE RACK AND B-6A AND B-6B  
ISSUED DEC 04, 2014

Printed In Vietnam

## BEFORE ASSEMBLY

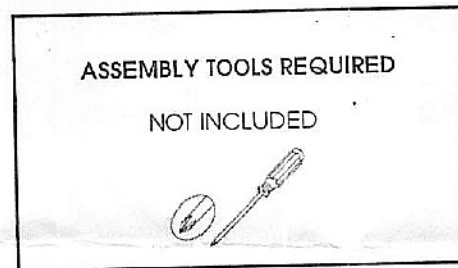
Thank you for purchasing this quality product. This product has been designed for easy assembly and constructed for durability. All parts were checked prior to packaging to insure quality. Prior to beginning assembly, however, make sure all parts and hardware are included and free of obvious defect. If a part is missing or defective, please contact the store where purchased. If hardware is missing, or you need help with assembly, please call toll free 888-944-8396.

### IMPORTANT NOTE:

- Place all wooden parts on a clean and smooth surface such as a rug or carpet to avoid the parts from being scratched.
- Remove all wrapping material, including staples & packing straps before you start to assemble.
- DO NOT tighten all screws and bolts until completely assembled.
- Keep all hardware parts out of reach of children.

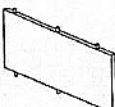
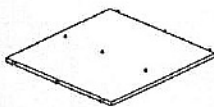

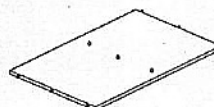
### WARNING:

Long exposure to rubber or soft plastic may cause a chemical reaction and damage the finish of your product. Protect the surface of the product with cloth if you are using any product with rubber feet or base.



## PART LIST B-6-WINE RACK

When unpacking, please be careful not to discard any parts with the packaging. Before continuing, please make sure you have the following parts.

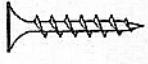
NO	Description	Qty	Sketch	NO	Description	Qty	Sketch
J	1 - Center panel Wine rack	2		K	2 - Center panel Wine rack	1	
L	Side panel wine rack	2		N	Top and bottom panel wine rack	2	

ITEM NO : B-6-WINE RACK AND B-6A AND B-6B  
ISSUED DEC 04, 2014

Printed in Vietnam

## HARDWARE LIST B-6-WINE RACK

When unpacking, please be careful not to discard any parts with the packaging. Before continuing, please make sure you have all of the following hardware:

NO	Description	Qty	Sketch	NO	Description	Qty	Sketch
14	Screw (M4 x 30mm)	8					

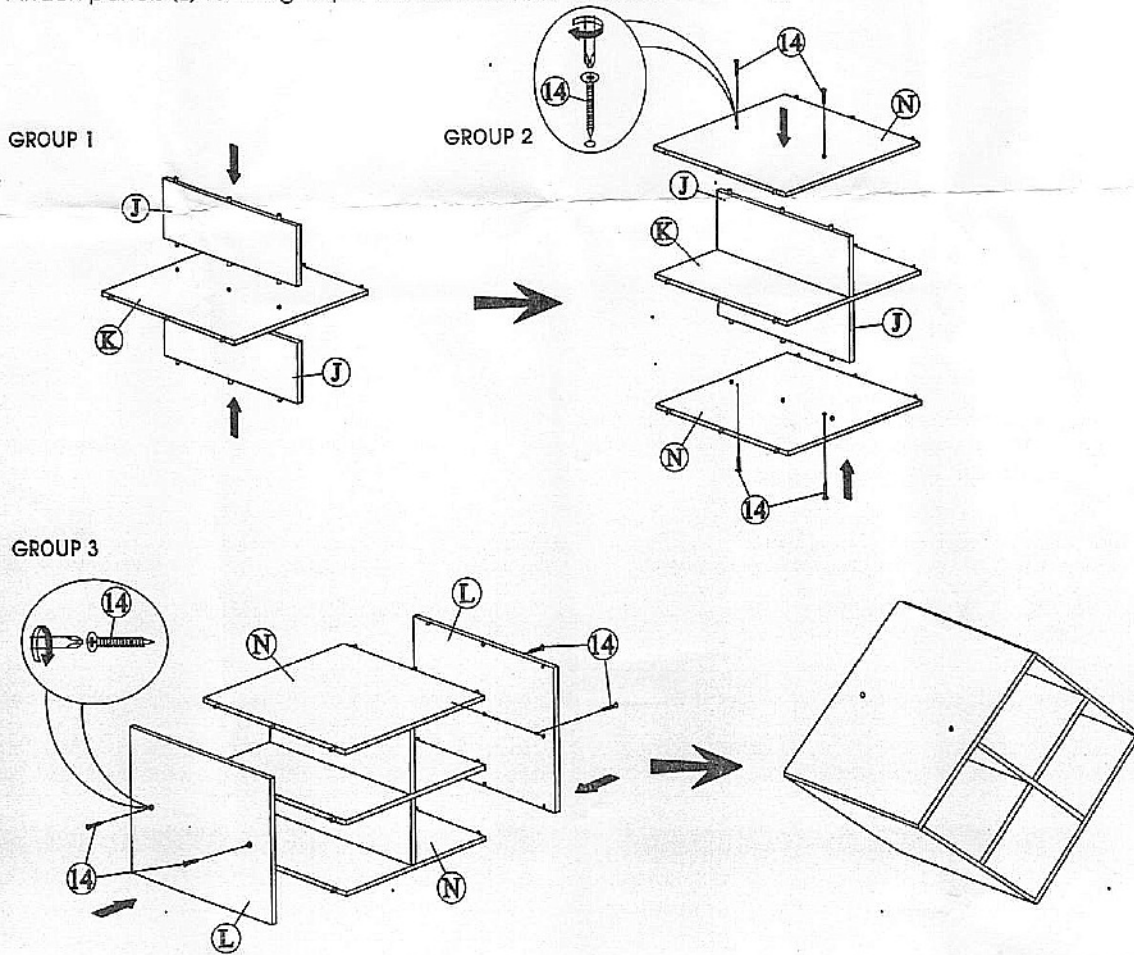
**NOTE: HARDWARE IS PACKED IN CARTON B-6-WINE RACK**

### STEP 1

WINE RACK ASSEMBLY.

Insert center panels (J) into the center panel (K) then attach panels (N) to the panels (J) with screws (14), as shown below. Tighten with the screwdriver.

Attach panels (L) to the group 2 with screws (14), as shown below. Tighten with the screwdriver.



ITEM NO : B-6-WINE RACK AND B-6A AND B-6B  
ISSUED DEC 04, 2014

Printed in Vietnam

### STEP 3

Insert the wine rack into the unit as shown below.

