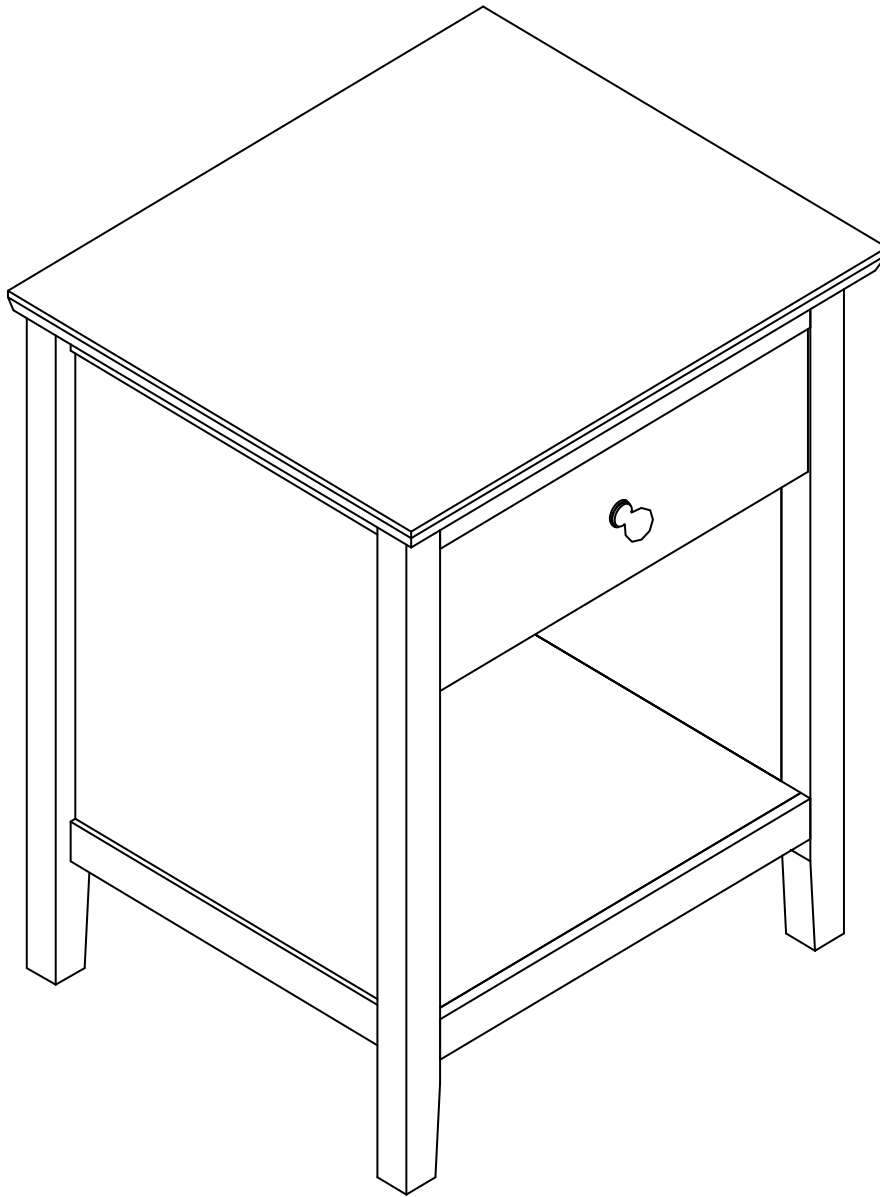


ASSEMBLY INSTRUCTIONS



Description : BROOKLYN 1 DRAWER NIGHTSTAND RTA
Item No. : BD-8001

BEFORE ASSEMBLY

Thank you for purchasing this quality product. This product has been designed for easy assembly and constructed for durability. All parts were checked prior to packaging to insure quality. Prior to beginning assembly, however, make sure all parts and hardware are included and free of obvious defect. If a part is missing or defective, please contact the store where purchased. If hardware is missing, or you need help with assembly, please call toll free 888-944-8396.

IMPORTANT NOTE:

- Place all wooden parts on a clean and smooth surface such as a rug or carpet to avoid the parts from being scratched.
- Remove all wrapping material, including staples & packing straps before you start to assemble.
- DO NOT tighten all screws and bolts until completely assembled.
- Keep all hardware parts out of reach of children.

WARNING:

Long exposure to rubber or soft plastic may cause a chemical reaction and damage the finish of your product. Protect the surface of the product with cloth if you are using any product with rubber feet or base.

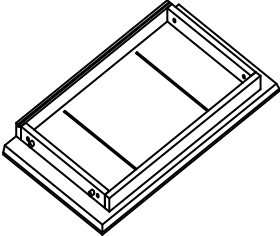
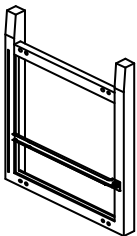
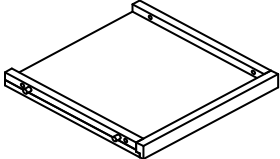
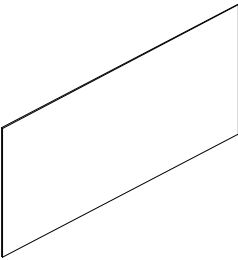
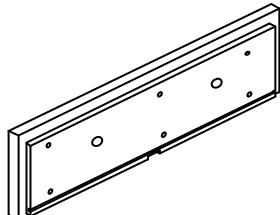
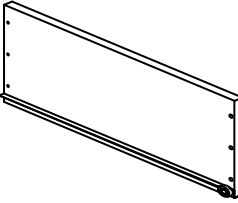
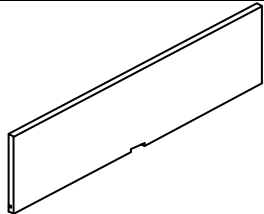
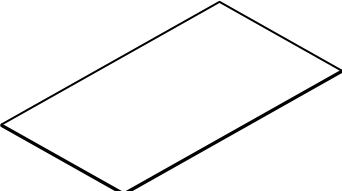
ASSEMBLY TOOLS REQUIRED

NOT INCLUDED



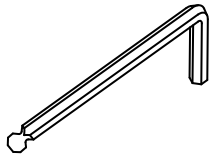
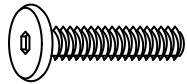


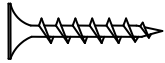

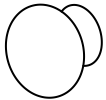
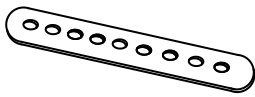
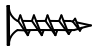
PART LIST

When unpacking, please be careful not to discard any parts with the packaging. Before continuing, please make sure you have the following parts:

NO	Description	Qty	Sketch	NO	Description	Qty	Sketch
A	Top	1		B	Side panel (L-R)	2	
C	Bottom panel	1		D	Back panel	1	
E	Drawer front	1		F	Drawer side (L-R)	2	
G	Drawer back	1		H	Drawer bottom	1	

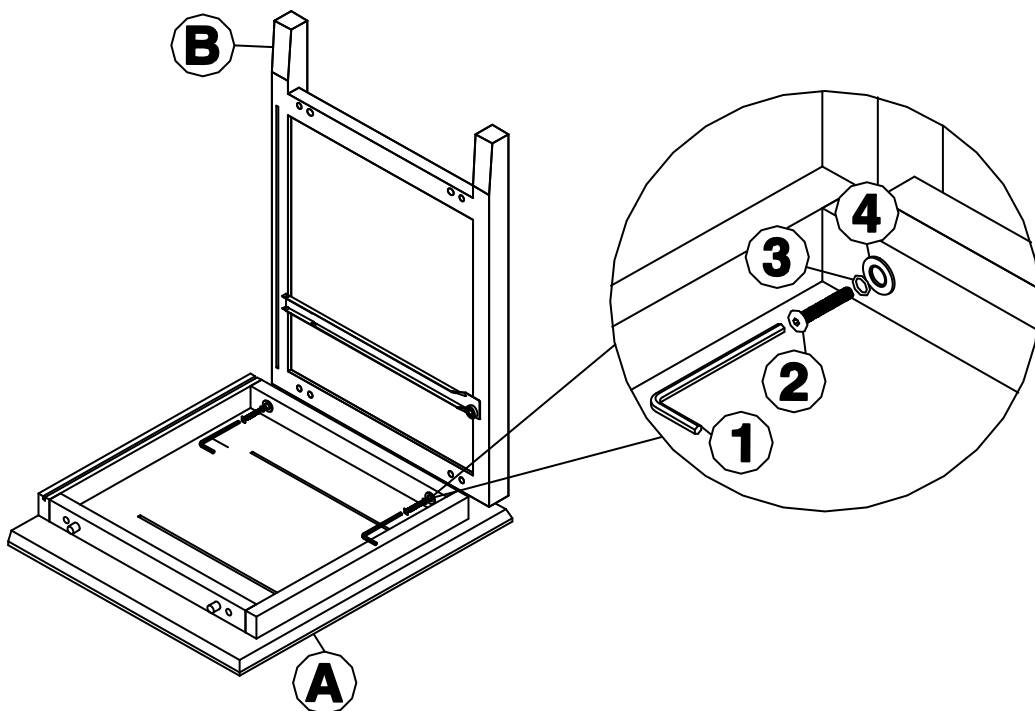
HARDWARE LIST

When unpacking, please be careful not to discard any parts with the packaging. Before continuing, please make sure you have all of the following hardware:

NO	Description	Qty	Sketch	NO	Description	Qty	Sketch
1	Allen key (M4 x 30mm x 120mm)	1		2	Bolt (M6 x 30mm)	8	
3	Spring washer (Φ6.5 x 11mm)	8		4	Flat washer (Φ6.5 x 13mm)	8	
5	Long screw (M4 x 35mm)	9		6	Pan head screw (M4 x 30mm)	1	
7	Knob	1		8	Steel band	1	
9	Short screw (M3.5 x 15mm)	2					

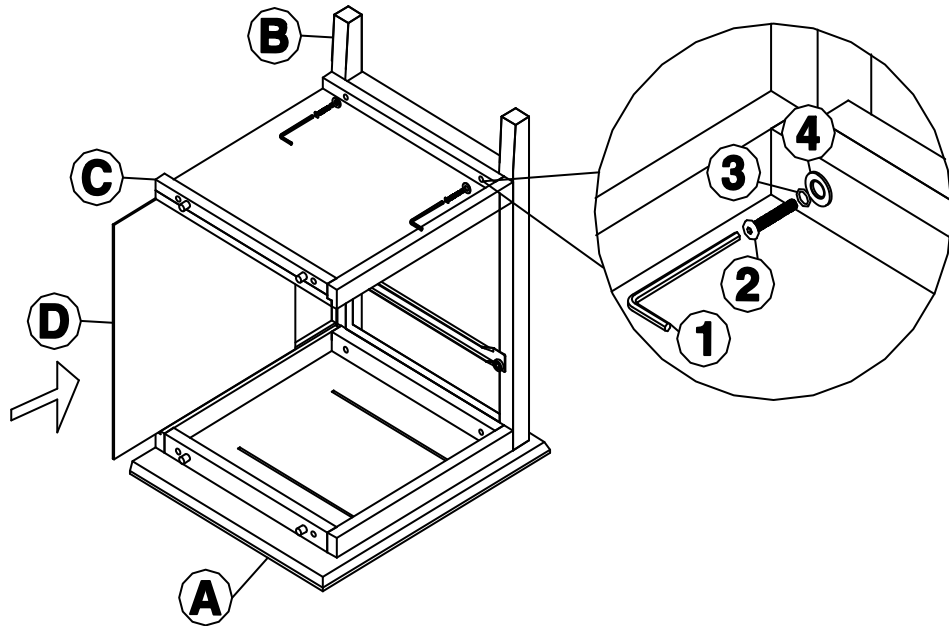
STEP 1

Attach the top (A) to the side panel (B) with bolts (2), and washers (3) and (4) as shown below. Tighten with Allen key (1).



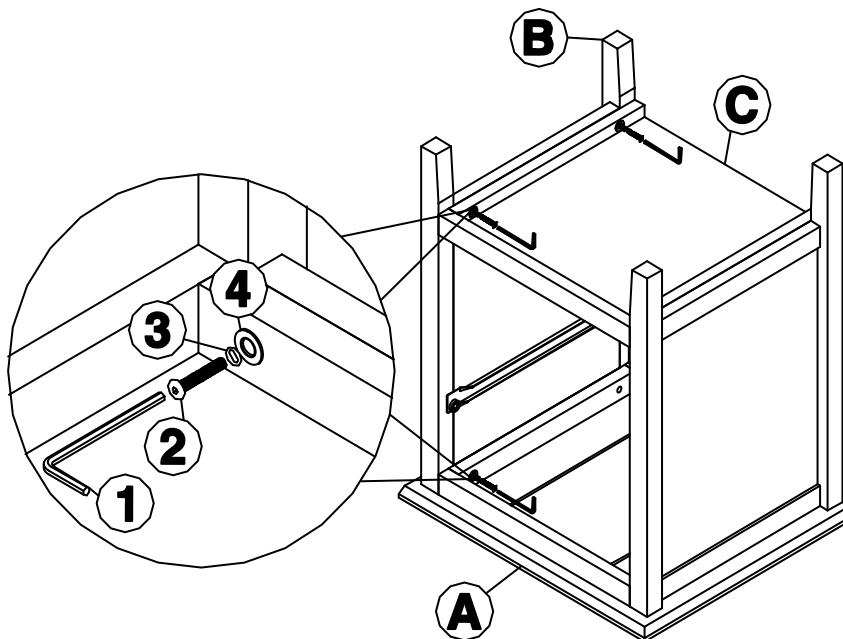
STEP 2

Attach bottom panel (C) to the side panel (B) with bolts (2), and washers (3) and (4). Tighten with Allen key (1). Slide back panel (D) into the grooves as shown below.



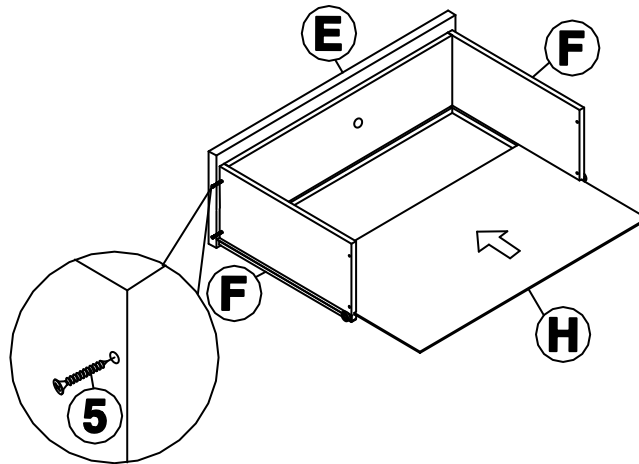
STEP 3

Attach bottom panel (C), and the top (A) to the other side panel (B) with bolts (2), and washers (3) and (4) as shown below. Tighten with Allen key (1).



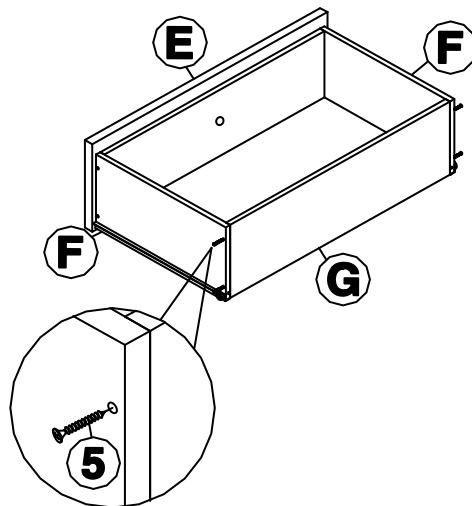
STEP 4

Attach drawer sides (F) to drawer front (E) with screws (5) as shown below. Tighten with a screwdriver. Then insert drawer bottom (H) into the grooves at bottom of drawer sides (F) as shown below.



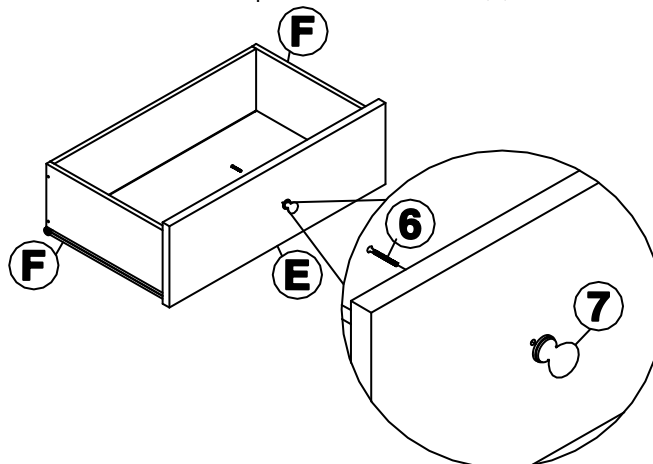
STEP 5

Attach drawer back (G) to drawer sides (F) with screws (5) as shown below. Tighten with a screwdriver.



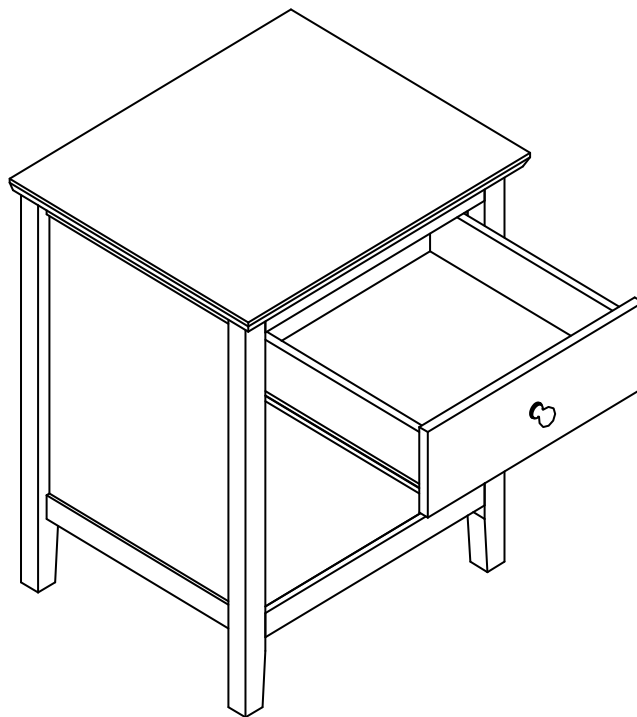
STEP 6

Attach knob (7) to front of drawer with pan head screw (6) as shown below. Tighten with a screwdriver.



STEP 7

Carefully put the drawer (from step 7) into the unit.



STEP 8

Attach the steel band (8) to the unit with short screws (9) and attach the steel band to the wall with the long screw (5) as shown below (to secure the product and prevent tipping). Tighten with a screwdriver.

