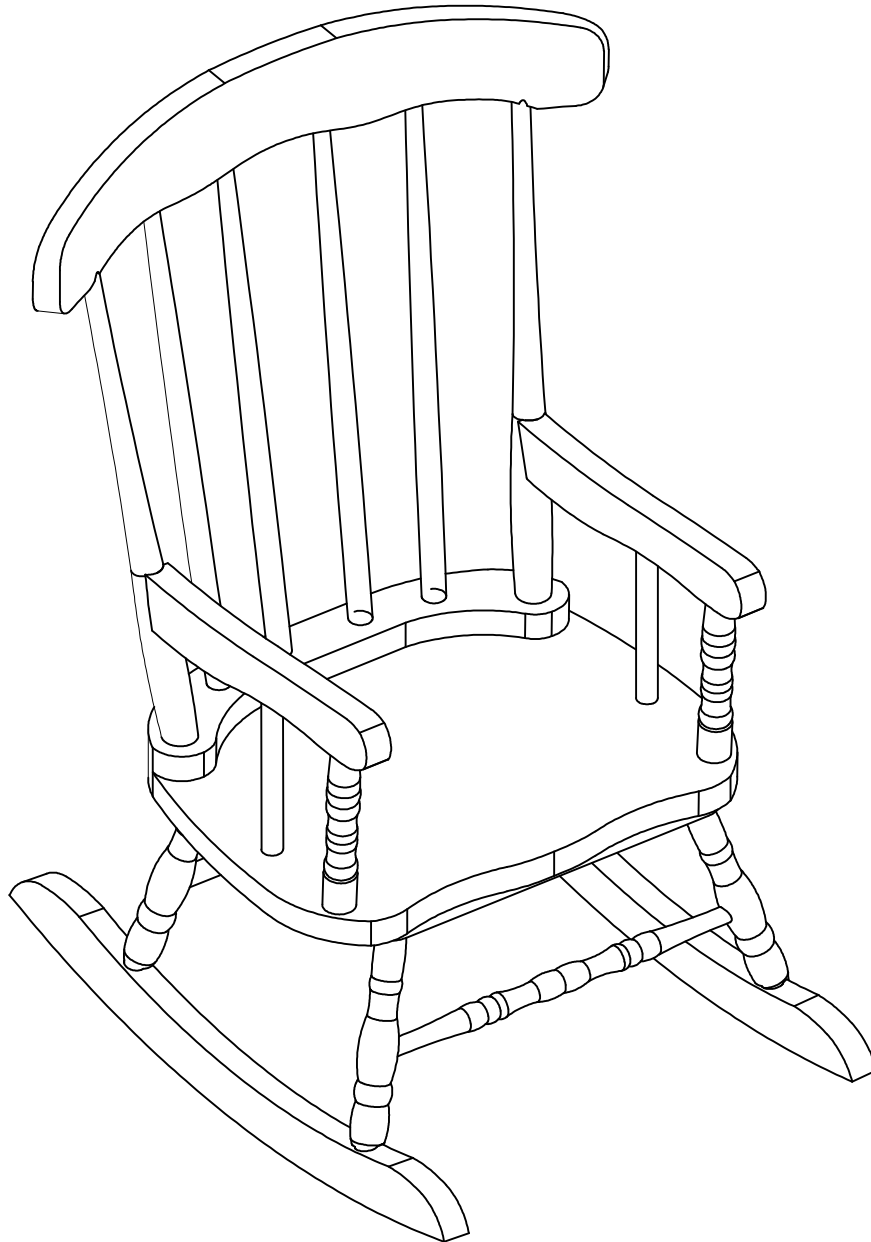


ASSEMBLY INSTRUCTIONS



Description : CHILD BOSTON ROCKER RTA
Item No. : CR-2465

ITEM NO: CR-2465
ISSUED JAN 25, 2016

Printed in Vietnam

BEFORE ASSEMBLY

Thank you for purchasing this quality product. This product has been designed for easy assembly and constructed for durability. Please take the time to read and follow the assembly instructions carefully.

Be sure to check all packing material carefully for small parts which may have come loose inside the carton during shipment. Please separate, identify, and count all parts and metal hardware. Compare with part list to be sure all parts are present. If hardware is missing or you have difficulty assembling this product, please call Toll Free: 1-888-944-8396.

IMPORTANT NOTE:


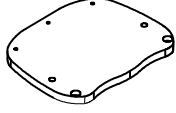
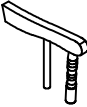
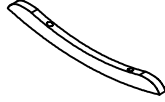
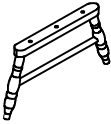
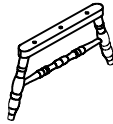
- Place all wooden parts on a clean and smooth surface such as a rug or carpet to avoid the parts from being scratched.
- Remove all wrapping material, including staples & packing straps before you start to assemble.
- DO NOT tighten all screws and bolts until completely assembled.
- Keep all hardware parts out of reach of children.

ASSEMBLY TOOLS REQUIRED NOT INCLUDE



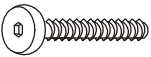


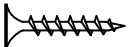

PART LIST

When unpacking, please be careful not to discard any parts with the packaging. Before continuing, please make sure you have the following parts:

NO	Description	Qty	Sketch	NO	Description	Qty	Sketch
A	Chair back	1		B	Chair seat	1	
C	Arm (L-R)	2		D	Runner	2	
E	Back leg	1		F	Front leg	1	

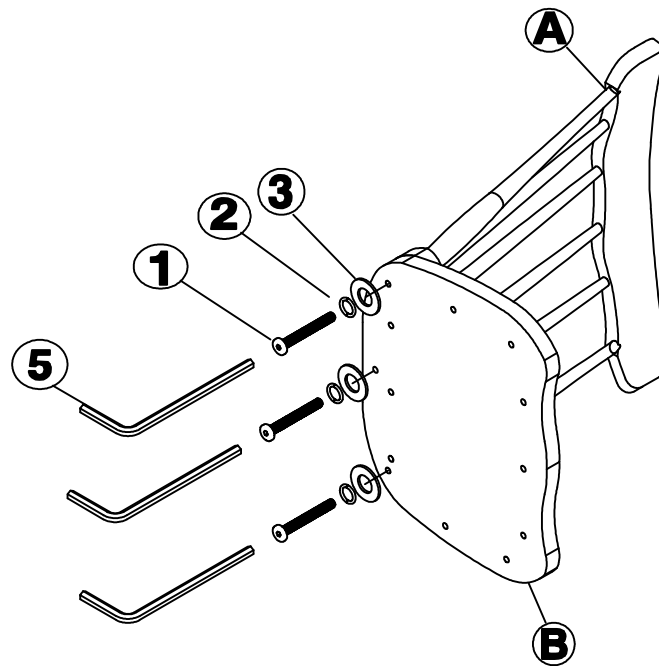
HARDWARE LIST

When unpacking, please be careful not to discard any parts with the packaging. Before continuing, please make sure you have all of the following hardware:

NO	Description	Qty	Sketch	NO	Description	Qty	Sketch
1	Bolt (M6 x 30mm)	9		2	Lock washer (Ø6.5 x 11mm)	9	
3	Flat Washer (Ø6.5 x 13mm)	9		4	Screw (M4 x 35mm)	10	
5	Allen Key (M4 x 80mm)	1					

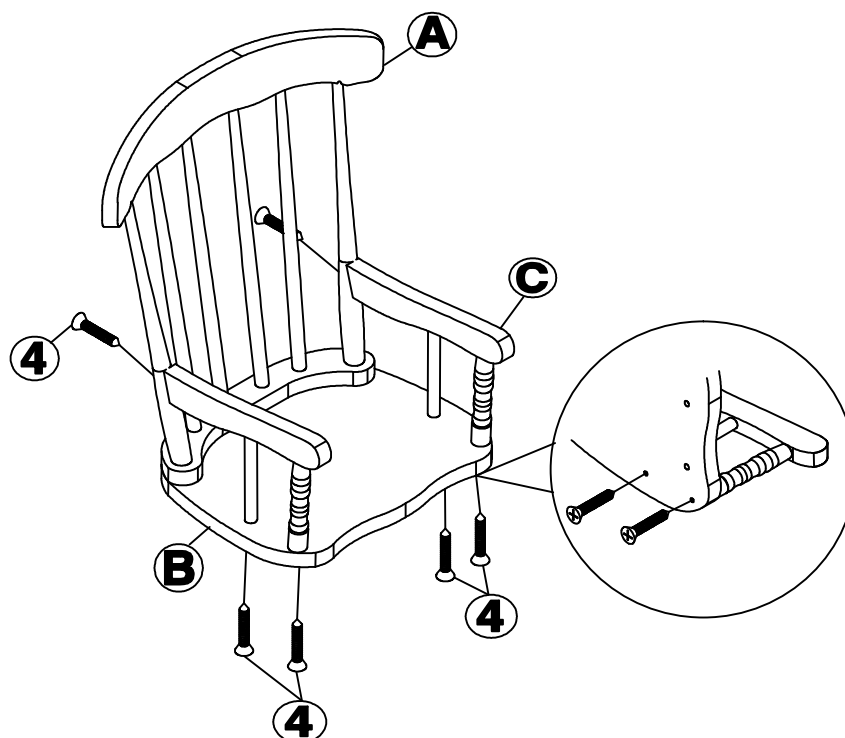
STEP 1

Attach back (A) to seat (B) with bolts (1), and washers (2) and (3), as shown below. Tighten with Allen key (5).



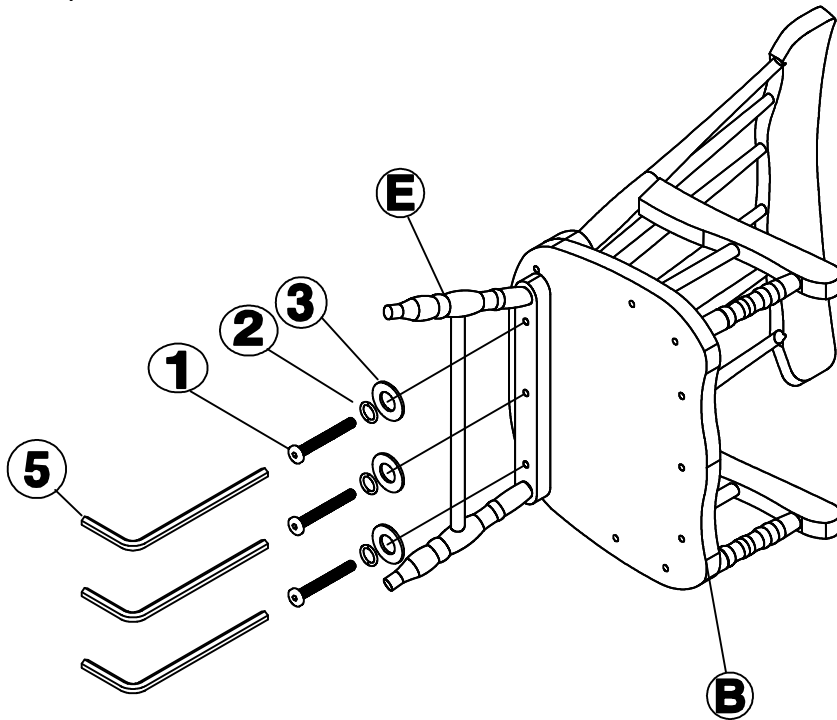
STEP 2

Attach arms (C) to back (A) and seat (B) with screws (4) as shown below. Tighten with a screwdriver.



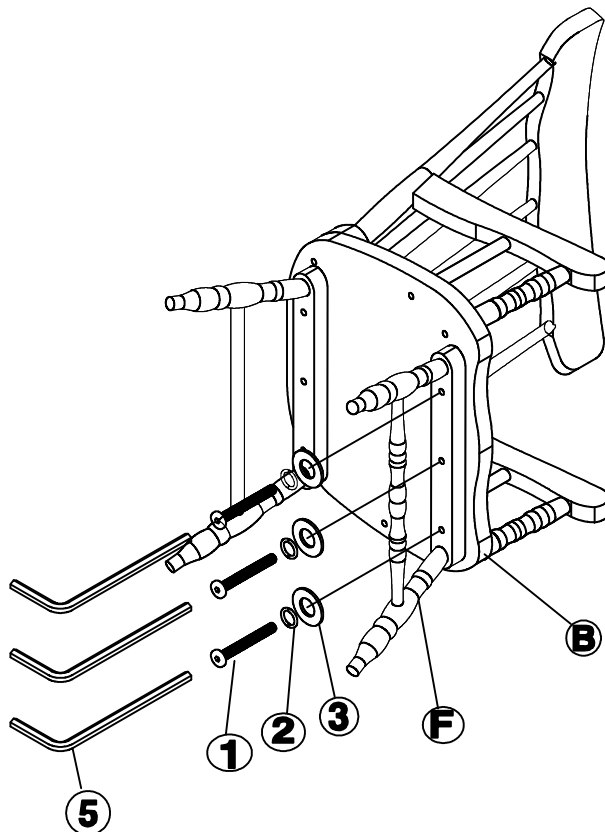
STEP 3

Attach back leg (E) to the seat (B) with bolts (1), and washers (2) and (3), as shown below. Tighten with Allen key (5).



STEP 4

Attach the front leg (F) to seat (B) with bolts (1), and washers (2) and (3), as shown below. Tighten with Allen key (5).



STEP 4

Attach runners (D) to legs (E) and (F) with screws (4) as shown below. Tighten with a screwdriver.

