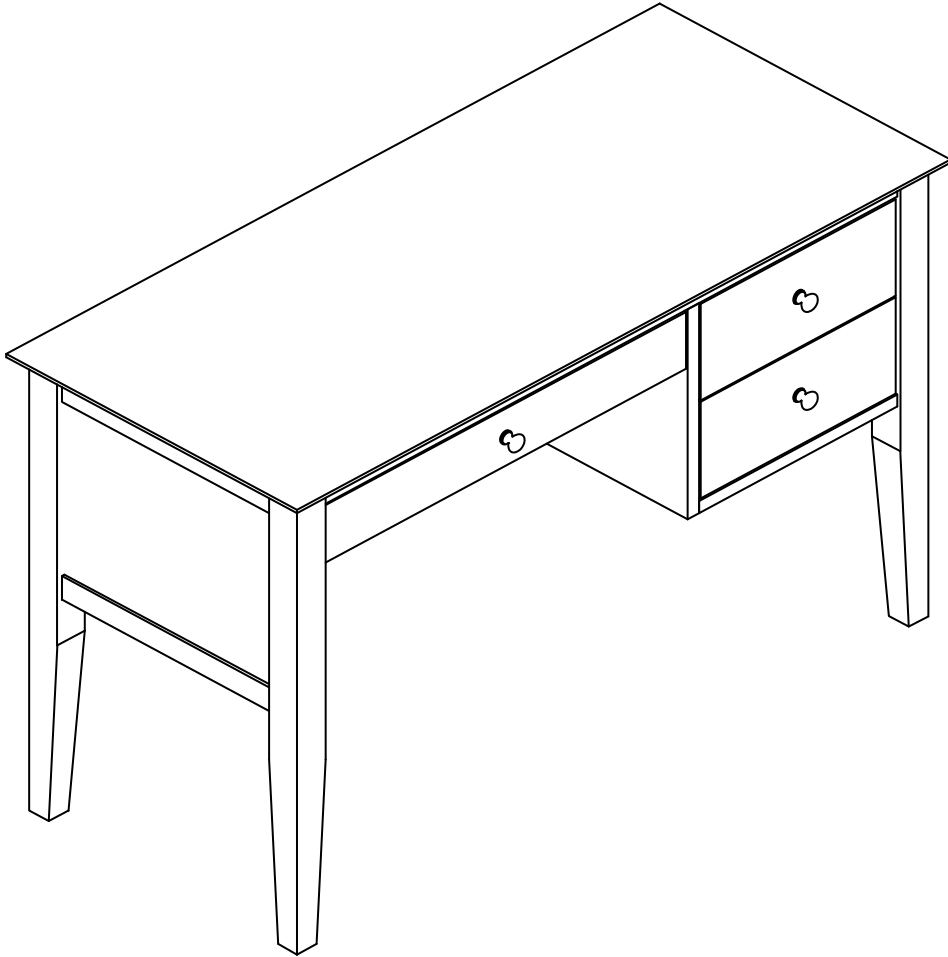


ASSEMBLY INSTRUCTIONS



Description : BROOKLYN DESK 48X20X30H
Item No : OF-66

ITEM NO.: OF-66
ISSUED MAY 31, 2017

Printed in Vietnam

BEFORE ASSEMBLY

Thank you for purchasing this quality product. This product has been designed for easy assembly and constructed for durability. All parts were checked prior to packaging to insure quality. Prior to beginning assembly, however, make sure all parts and hardware are included and free of obvious defect. If a part is missing or defective, please contact the store where purchased. If hardware is missing, or you need help with assembly, please call toll free 888-944-8396.

IMPORTANT NOTE:

- Place all wooden parts on a clean and smooth surface such as a rug or carpet to avoid the parts from being scratched.
- Remove all wrapping material, including staples & packing straps before you start to assemble.
- DO NOT tighten all screws and bolts until completely assembled.
- Keep all hardware parts out of reach of children.

WARNING:

Long exposure to rubber or soft plastic may cause a chemical reaction and damage the finish of your product. Protect the surface of the product with cloth if you are using any product with rubber feet or base.

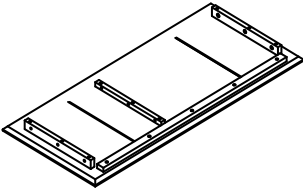
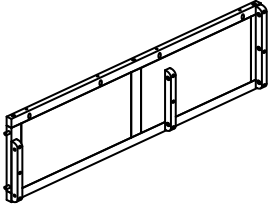
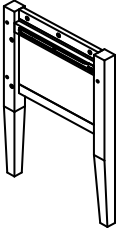
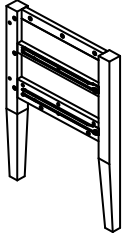
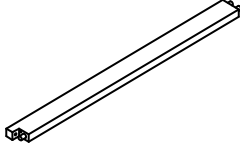
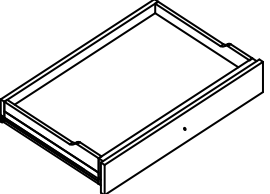
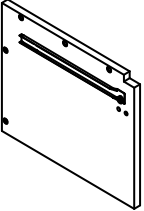
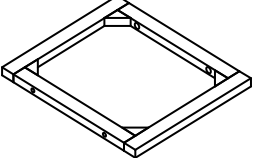
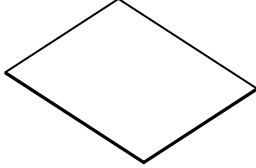
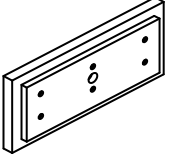
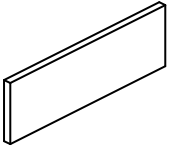
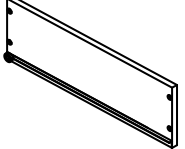
ASSEMBLY TOOLS REQUIRED

NOT INCLUDED




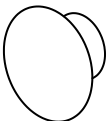

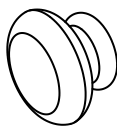


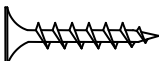
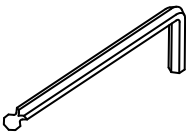
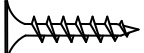
PART LIST

When unpacking, please be careful not to discard any parts with the packaging. Before continuing, please make sure you have the following parts:

NO	Description	Qty	Sketch	NO	Description	Qty	Sketch
A	Top	1		G	Back panel	1	
B	Side frame	1		H	Side frame	1	
C	Connector	1		I	Drawer	1	
D	Vertical panel	1		J	Bottom frame	1	
E	Drawer bottom	1		K	Drawer front	1	
F	Drawer back	1		L	Drawer side (L-R)	2	

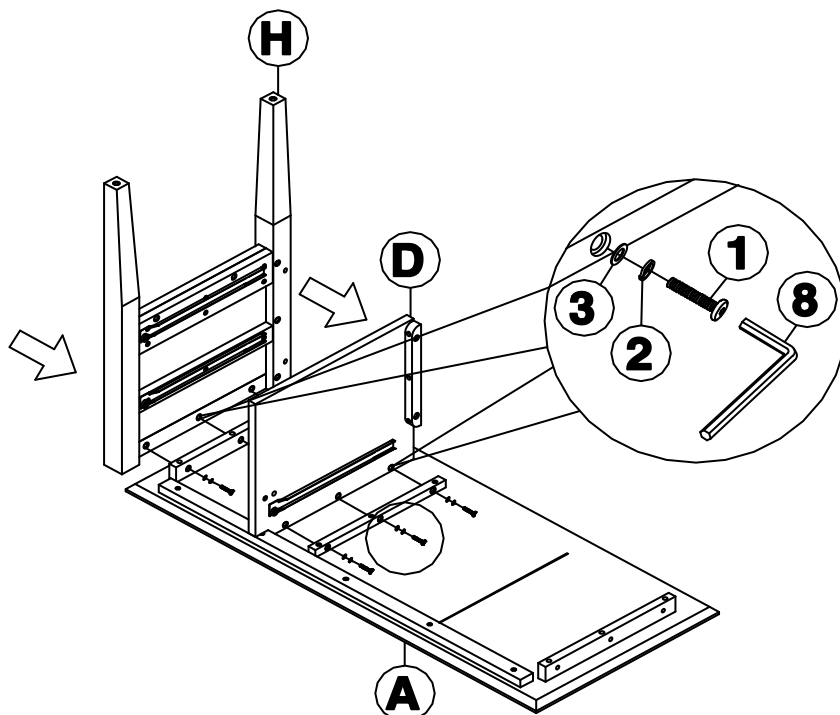
HARDWARE LIST

When unpacking, please be careful not to discard any parts with the packaging. Before continuing, please make sure you have all of the following hardware:

NO	Description	Qty	Sketch	NO	Description	Qty	Sketch
1	Bolt (M6 x 35mm)	20		6	Wooden knob (Φ30 x 30mm)	3	
2	Spring washer (Φ6.5 x 13mm)	20			METAL KNOB (Φ30 x 30mm) GOES WITH FINISHED ITEM ONLY.	3	
3	Flat Washer (Φ6.5 x 13mm)	20		7	Pan head screw *Metal knob: (M4x22mm) *Wooden knob: (M4x25mm)	3	
4	Long screw (M4 x 35mm)	6		8	Allen key (M4 x 30mm x 110mm)	1	
5	Short screw (M4 x 30mm)	16					

STEP 1

Attach vertical panel (D) and side frame (H) to the top (A) with bolts (1), and washers (2) and (3) as shown below. Tighten with Allen key (8).

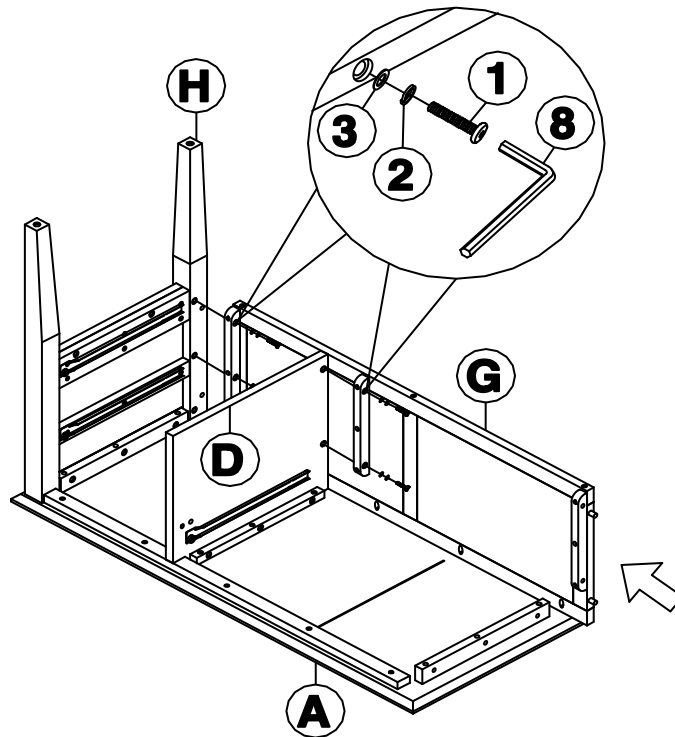


ITEM NO.: OF-66
ISSUED MAY 31, 2017

Printed in Vietnam

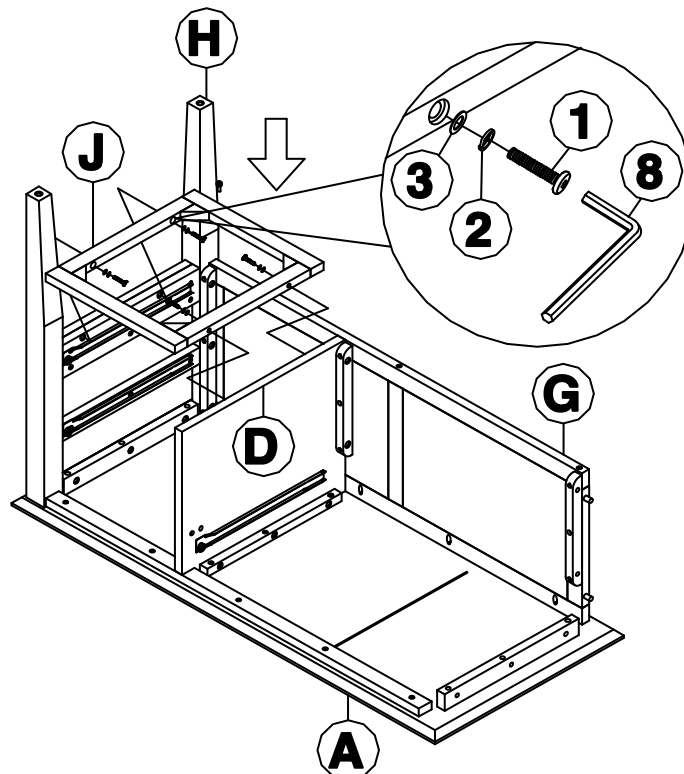
STEP 2

Attach back panel (G) to vertical panel (D) and side frame (H) with bolts (1), and washers (2) and (3) as shown below. Tighten with Allen key (8).



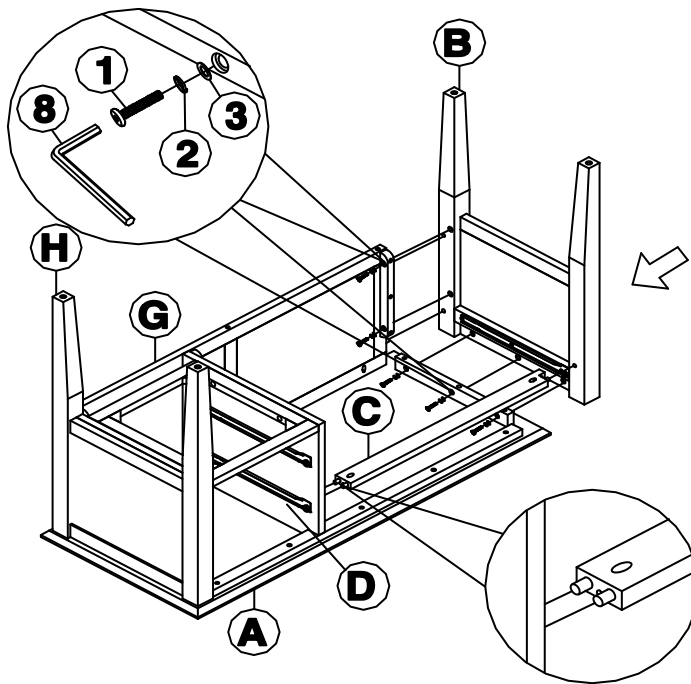
STEP 3

Attach bottom frame (J) to the vertical panel (D) and side frame (H) with bolts (1), and washers (2) and (3) as shown below. Tighten with Allen key (8).



STEP 4

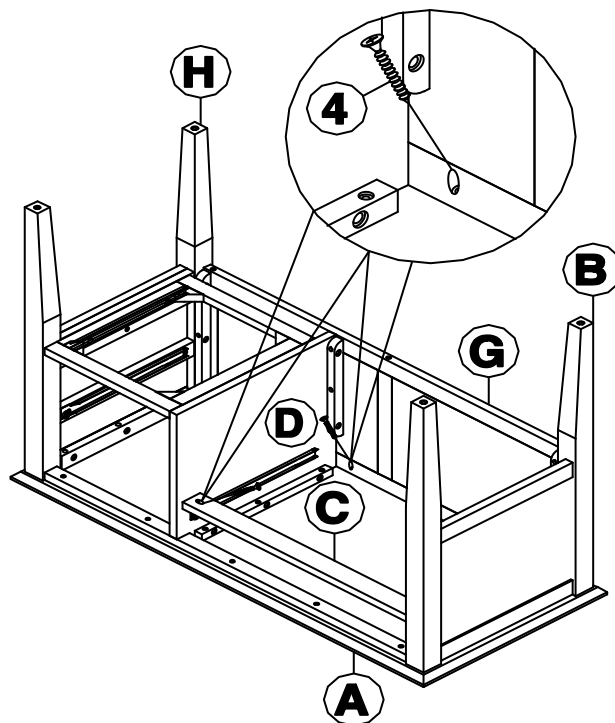
Insert connector (C) into vertical panel (D) and side frame (B) as shown below.
Attach side frame (B) to the top (A) and back panel (G) with bolts (1), and washers (2) and (3) as shown below. Tighten with Allen key (8).



STEP 5

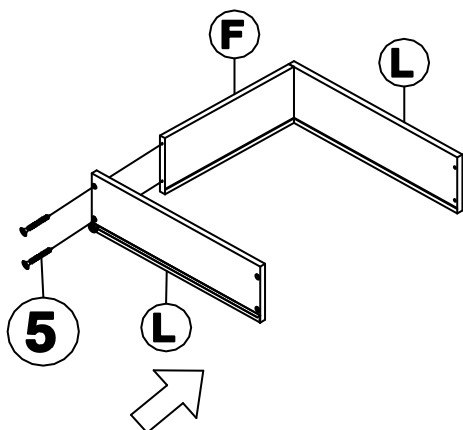
Attach connector (C) to vertical panel (D) and side frame (B) with screws (4) as shown below. Tighten with a screwdriver.

Attach back panel (G) to the top (A) with screws (4) as shown below. Tighten with a screwdriver.



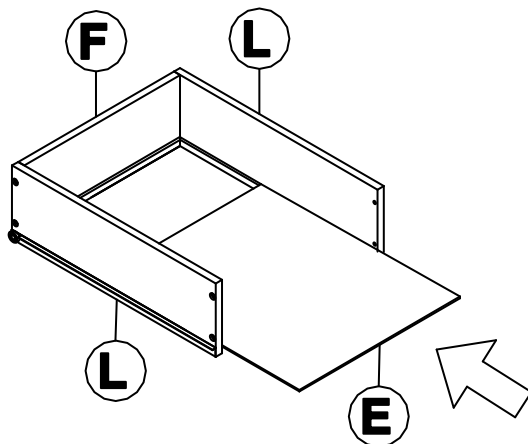
STEP 6

Attach drawer sides (L) to drawer back (F) with screw (5) as shown below. Tighten with a screwdriver.



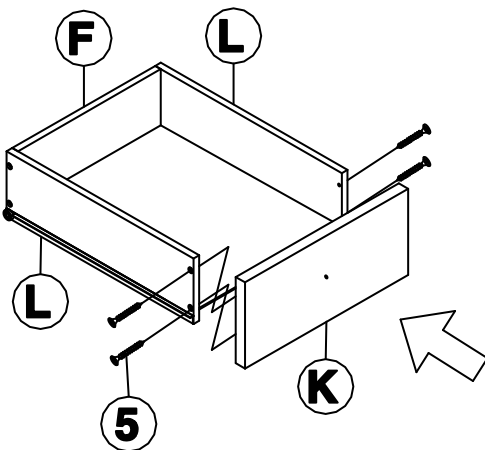
STEP 7

Slide drawer bottom (E) into the grooves as shown below.



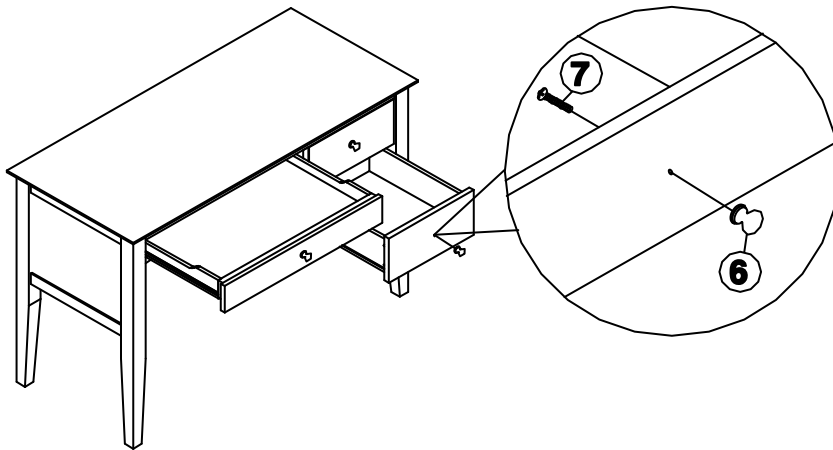
STEP 8

Attach drawer front (K) to drawer sides (L) with screw (5) as shown below. Tighten with a screwdriver.



STEP 9

Attach knobs (6) to front of drawers with pan head screws (7) as shown below. Tighten with a screwdriver. Carefully put the drawers into the unit.



STEP 10

NOTE: Put your hands in front of the drawer and open the flip down key board tray as shown below.

