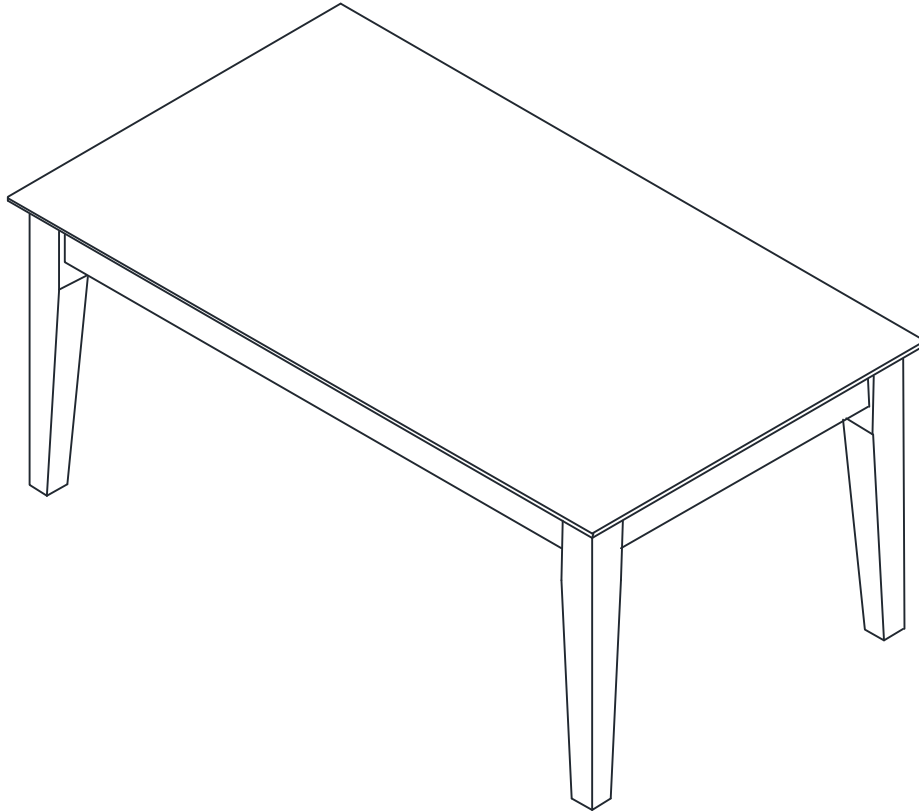


# ASSEMBLY INSTRUCTIONS

---



---

Description : SHAKER COFFEE TABLE  
Item No. : OT-9TC

## BEFORE ASSEMBLY

Thank you for purchasing this quality product. This product has been designed for easy assembly and constructed for durability. All parts were checked prior to packaging to insure quality. Prior to beginning assembly, however, make sure all parts and hardware are included and free of obvious defect. If a part is missing or defective, please contact the store where purchased. If hardware is missing, or you need help with assembly, please call toll free 888-944-8396.

### IMPORTANT NOTE:

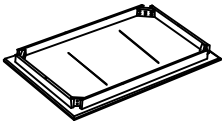
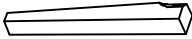
- Place all wooden parts on a clean and smooth surface such as a rug or carpet to avoid the parts from being scratched.
- Remove all wrapping material, including staples & packing straps before you start to assemble.
- DO NOT tighten all screws and bolts until completely assembled.
- Keep all hardware parts out of reach of children.

### WARNING:

Long exposure to rubber or soft plastic may cause a chemical reaction and damage the finish of your table. Protect the surface of the table with cloth if you are using any product with rubber feet or base.

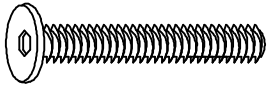



## PART LIST

When unpacking, please be careful not to discard any parts with the packaging. Before continuing, please make sure you have the following parts:

| NO | Description | Qty | Sketch  | NO | Description | Qty | Sketch  |
|----|-------------|-----|---|----|-------------|-----|---|
| A  | Top         | 1   |  | B  | Legs        | 4   |  |

## HARDWARE LIST

When unpacking, please be careful not to discard any parts with the packaging. Before continuing, please make sure you have all of the following hardware:

| NO | Description                 | Qty | Sketch  | NO | Description                 | Qty | Sketch  |
|----|-----------------------------|-----|---|----|-----------------------------|-----|---|
| 1  | Bolt<br>( M8x50mm)          | 8   |  | 3  | Lock washer<br>( Φ8.5x13mm) | 8   |  |
| 2  | Flat washer<br>( Φ8.5x19mm) | 8   |  | 4  | Allen key<br>(4x80mm)       | 1   |  |

**ITEM NO : OT-9TC**  
**REVISED AUG 29, 2014**

**Printed in Vietnam**

# STEP 1

Attach legs (B) to the Top (A) with bolts (1) and washers (3) and (2), as shown below. Tighten with the Allen key (4) .

