

Description : ACCESSORY LADDER
Item No. : SH-2660

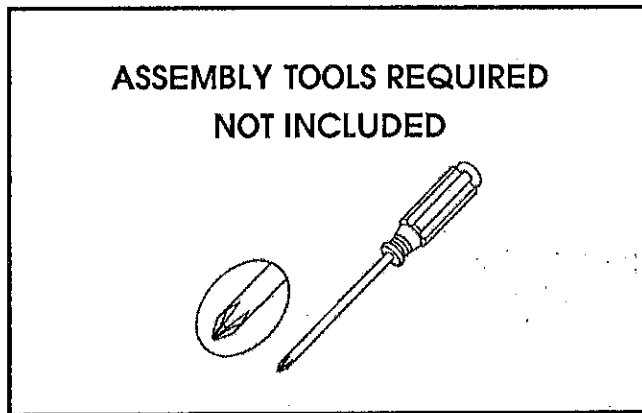
BEFORE ASSEMBLY

Thank you for purchasing this quality product. This product has been designed for easy assembly and constructed for durability. Please take the time to read and follow the assembly instructions carefully.

Be sure to check all packing material carefully for small parts which may have come loose inside the carton during shipment. Please separate, identify, and count all parts and metal hardware. Compare with part list to be sure all parts are present. If hardware is missing or you have difficulty assembling this product, please call Toll Free: 1-888-944-8396.

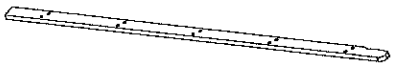
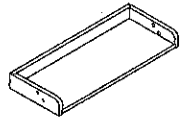
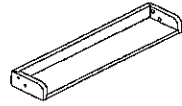
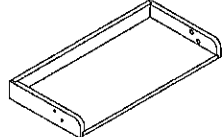
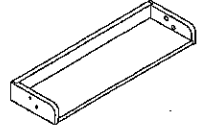
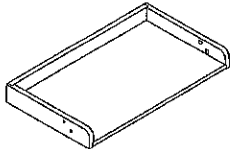
IMPORTANT NOTE:

- Place all wooden parts on a clean and smooth surface such as a rug or carpet to avoid the parts from being scratched.
- Remove all wrapping material, including staples & packing straps before you start to assemble.
- DO NOT tighten all screws and bolts until completely assembled.
- Keep all hardware parts out of reach of children.



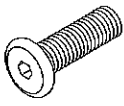
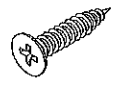
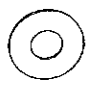
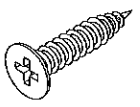
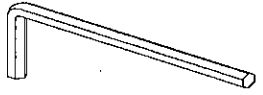
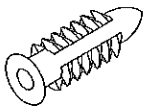
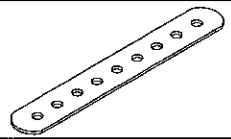

PART LIST

When unpacking, please be careful not to discard any parts with the packaging. Before continuing, please make sure you have the following parts:

| NO. | Description | Qty | Sketch | NO. | Description | Qty | Sketch |
|-----|-----------------------------|-----|---|-----|-------------------------------|-----|---|
| A | Side Post Left-Right | 2 |  | D | 3 rd shelf | 1 |  |
| B | Top shelf (the smallest) | 1 |  | E | 4 th shelf | 1 |  |
| C | 2 nd shelf | 1 |  | F | Bottom shelf (the biggest) | 1 |  |

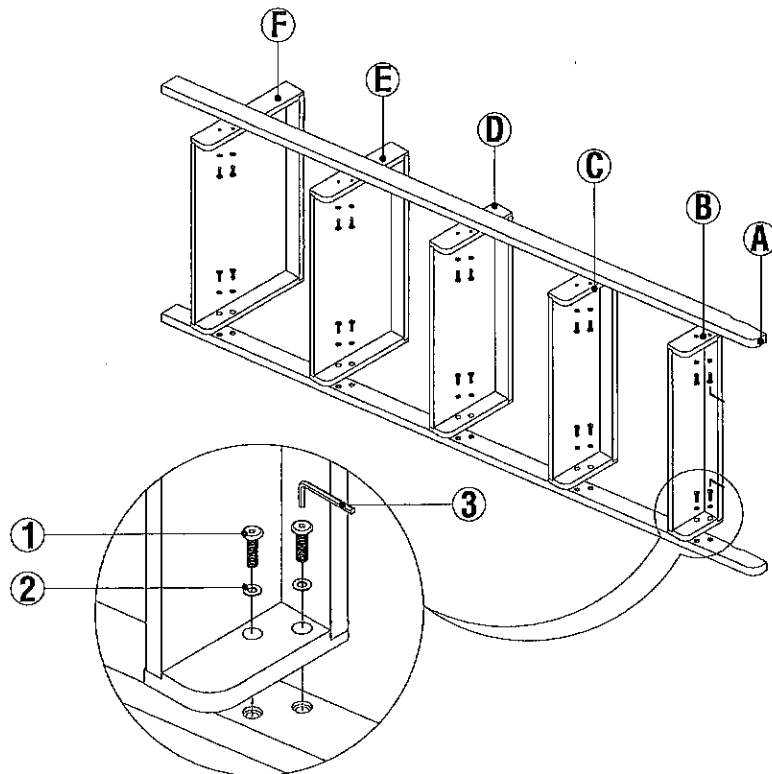
HARDWARE LIST

When unpacking, please be careful not to discard any parts with the packaging. Before continuing, please make sure you have all of the following hardware:

| NO | Description | Qty | Sketch | NO | Description | Qty | Sketch |
|----|---|-----|---|----|--|-----|---|
| 1 | Bolt ($\Phi 1/4 \times 25\text{mm}$) | 20 |  | 5 | Small Wood Screw (M3 x 15mm) | 4 |  |
| 2 | Flat Washer ($\Phi 6.5 \times \Phi 13\text{mm}$) | 20 |  | 6 | Large Wood Screw (M4 x 30mm) | 2 |  |
| 3 | Allen Key (M4 x 75mm) | 1 |  | 7 | Plastic Dowel ($\Phi 5 \times 30\text{mm}$) | 2 |  |
| 4 | Steel Band (1.2x15x100mm) | 2 |  | 8 | Wood Plug ($\Phi 14.5\text{mm}$) | 20 |  |

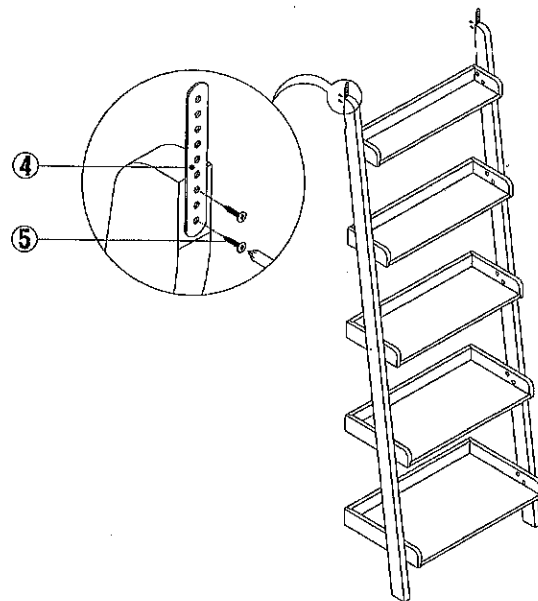
STEP 1

Carefully place the 5 shelves (B), (C), (D), (E), (F) between the 2 Side posts (A), as shown below. Use the Allen key (3) attach the shelves to the posts. Attach with the Bolts (1) and Flat Washers (2) as shown below.



STEP 2

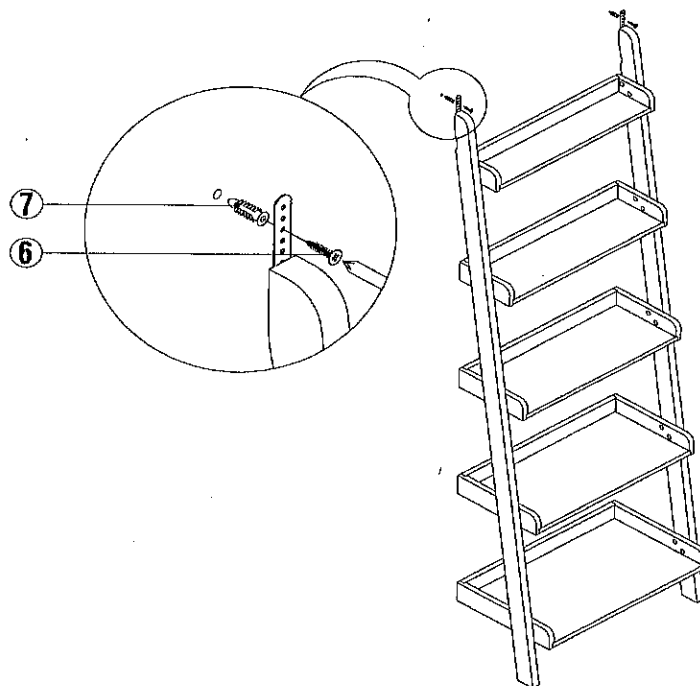
Attach the Steel Bands (4) with Screws (5) at position as shown below.



DO NOT FULLY TIGHTEN all screws and bolts until the product is leaning against the wall.

STEP 3

Insert the Plastic dowels (7) into the wall. Use the screwdriver to attach the Screws (6) into the steel bands to secure the product to the wall as shown below.



STEP 4

Put the Wood plugs (8) over screws to cover them.

