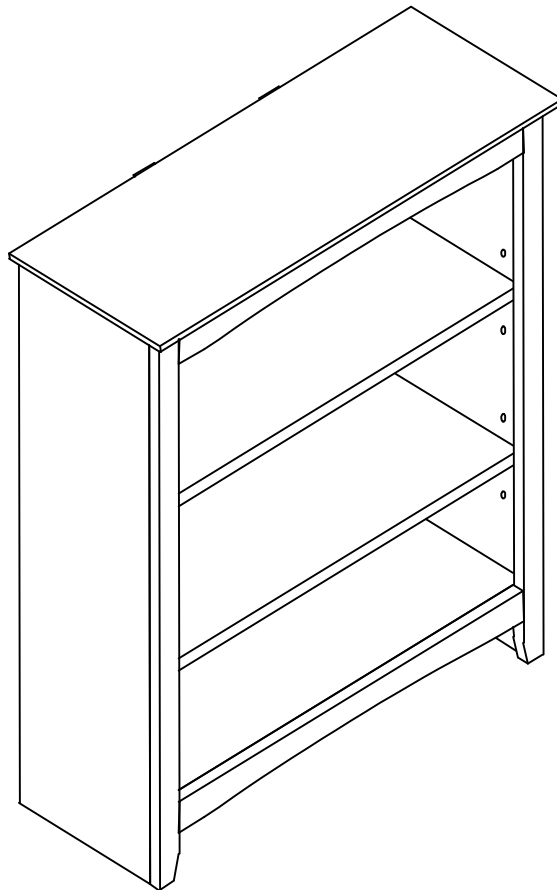


# ASSEMBLY INSTRUCTIONS

---



---

Description : 32 X 12 X 36 HIGH BOOK CASE RTA  
Item No. : SH-3223A

ITEM NO. : SH-3223A  
REVISED FEB 24, 2016

Printed in Vietnam

## BEFORE ASSEMBLY

Thank you for purchasing this quality product. This product has been designed for easy assembly and constructed for durability. All parts were checked prior to packaging to insure quality. Prior to beginning assembly, however, make sure all parts and hardware are included and free of obvious defect. If a part is missing or defective, please contact the store where purchased. If hardware is missing, or you need help with assembly, please call toll free 888-944-8396.

### IMPORTANT NOTE:

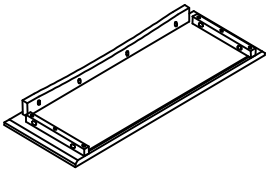
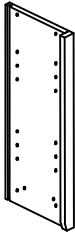
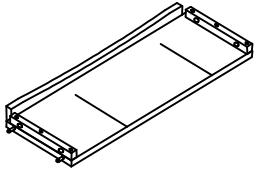
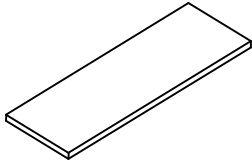
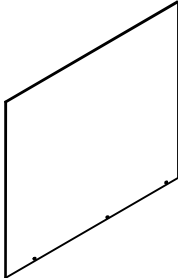
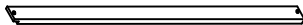
- Place all wooden parts on a clean and smooth surface such as a rug or carpet to avoid the parts from being scratched.
- Remove all wrapping material, including staples & packing straps before you start to assemble.
- DO NOT tighten all screws and bolts until completely assembled.
- Keep all hardware parts out of reach of children.

### ASSEMBLY TOOLS REQUIRED NOT INCLUDED







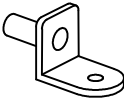
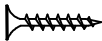
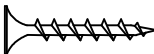

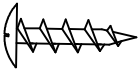
## PARTS LIST

When unpacking, please be careful not to discard any parts with the packaging. Before continuing, please make sure you have the following parts:

NO	Description	Q'ty	Sketch	NO	Description	Q'ty	Sketch
A	Top	1		B	Side panel (L-R)	2	
C	Bottom panel	1		D	Adjustable shelf	2	
E	Back panel	1		F	Connector	2	

## HARDWARE LIST

When unpacking, please be careful not to discard any parts with the packaging. Before continuing, please make sure you have all of the following hardware:

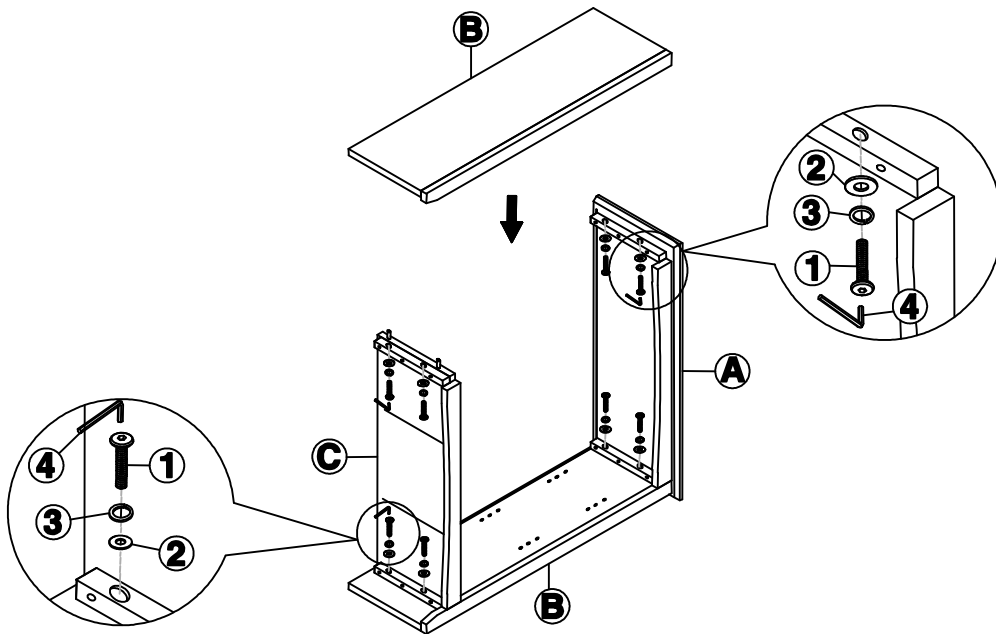
NO	Description	Q'ty	Sketch	NO	Description	Q'ty	Sketch
1	Bolt (M6 x 30mm)	8		2	Flat washer (Φ6.5 x 13mm)	8	
3	Lock washer (Φ6.5 x 11mm)	8		4	Allen Key (M4 x 80mm)	1	
5	Shelf support bracket	8		6	Short screw (M3.5 x 15mm)	12	
7	Long screw (M4 x 30mm)	2		8	Steel band	2	
9	Medium screw (M4 x 20mm)	7					

ITEM NO. : SH-3223A  
REVISED FEB 24, 2016

Printed in Vietnam

## STEP 1

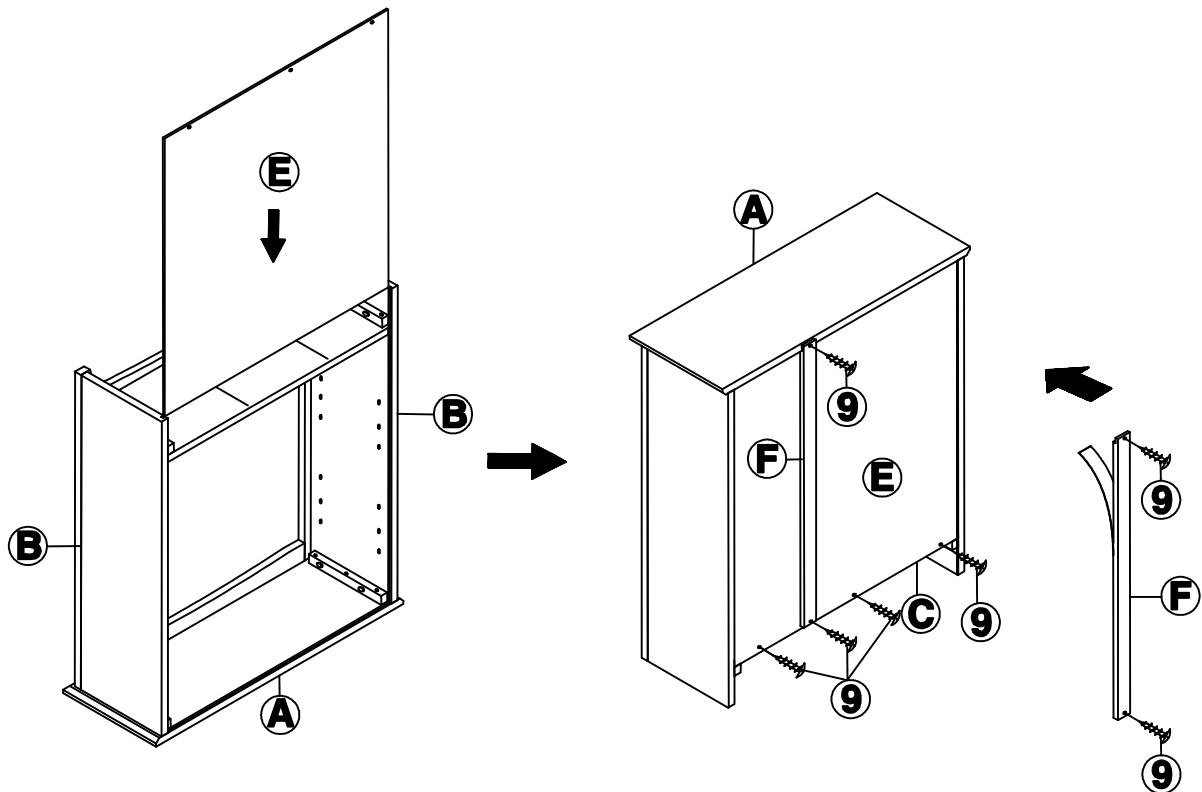
Attach Top (A) and bottom panel (C) to side panels (B) with bolts (1), and washers (2) and (3) as shown below. Tighten with Allen key (4).



## STEP 2

Slide back panels (E) into the grooves as shown below.

Remove the paper strip and attach sticky side of the connectors (F) to the back of the unit. Then attach connector (F) to the top (A) and bottom panel (C) with screws (9) as show below. Tighten with a screwdriver.



## STEP 3

Attach brackets (5) to the unit. Place the shelves (D) on the brackets and attach with screws (6). Tighten with a screwdriver.

Attach steel bands (8) to the unit with screws (6) and attach steel bands (8) to the wall with screws (7) as shown below (to secure the product and prevent tipping). Tighten with a screwdriver.

