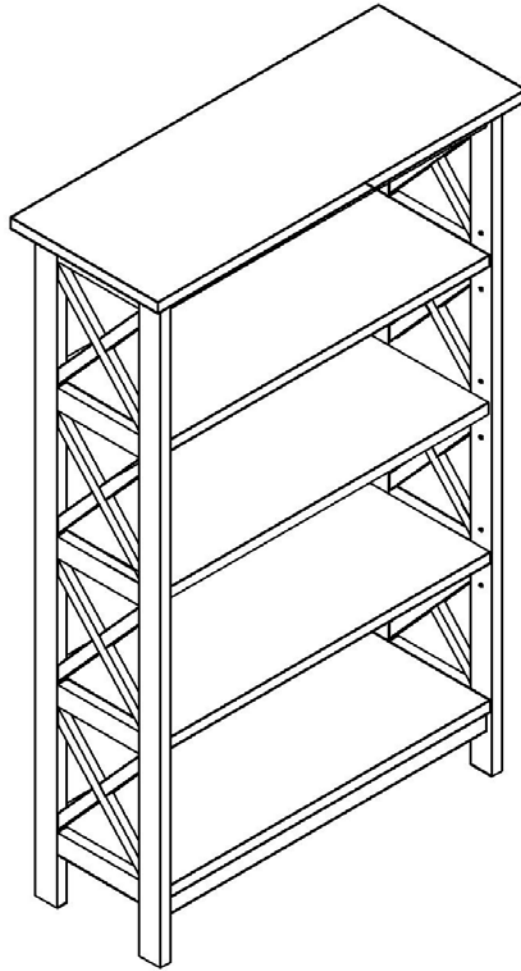


ASSEMBLY INSTRUCTIONS



Description : X-SIDE SHELVES 48 H X 30 W
Item No. : SH-4830X

BEFORE ASSEMBLY

Thank you for purchasing this quality product. This product has been designed for easy assembly and constructed for durability. All parts were checked prior to packaging to insure quality. Prior to beginning assembly, however, make sure all parts and hardware are included and free of obvious defect. If a part is missing or defective, please contact the store where purchased. If hardware is missing, or you need help with assembly, please call toll free 888-944-8396.

IMPORTANT NOTE:

- Place all wooden parts on a clean and smooth surface such as a rug or carpet to avoid the parts from being scratched.
- Remove all wrapping material, including staples & packing straps before you start to assemble.
- DO NOT tighten all screws and bolts until completely assembled.
- Keep all hardware parts out of reach of children.

WARNING:

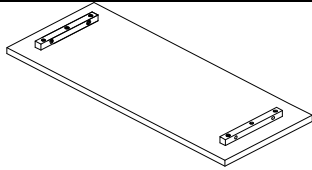
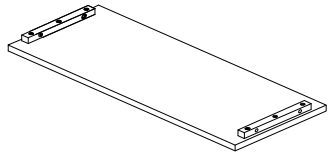
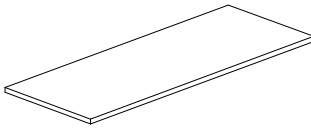
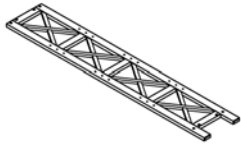
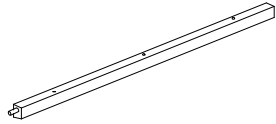
Long exposure to rubber or soft plastic may cause a chemical reaction and damage the finish of your product. Protect the surface of the product with cloth if you are using any product with rubber feet or base.

**ASSEMBLY TOOLS REQUIRED
NOT INCLUDED**






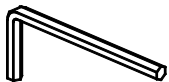
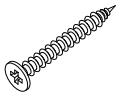
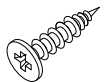
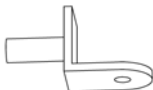
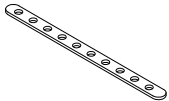
PART LIST

When unpacking, please be careful not to discard any parts with the packaging. Before continuing, please make sure you have the following parts:

NO	Description	Qty	Sketch	NO	Description	Qty	Sketch
A	Top	1		B	Bottom Shelf	1	
C	Adjustable shelf	3		D	Side frame (L-R)	2	
E	Rail	4					

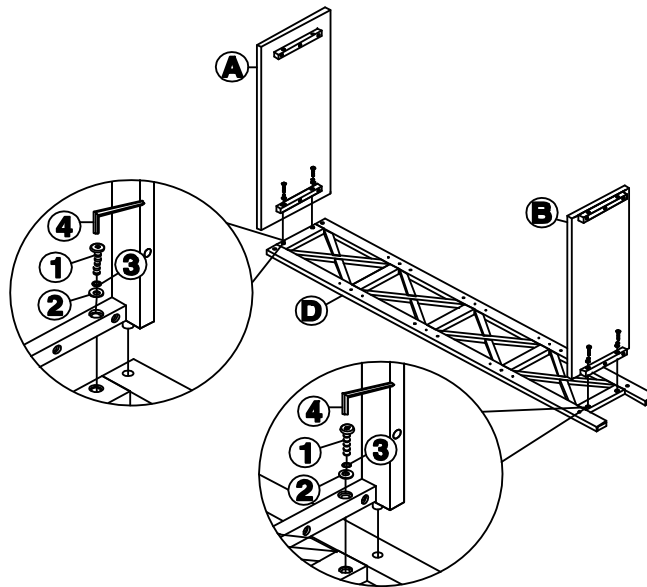
HARD WARE LIST

When unpacking, please be careful not to discard any parts with the packaging. Before continuing, please make sure you have all of the following hardware:

NO	Description	Qty	Sketch	NO	Description	Qty	Sketch
1	bolt (M6x30mm)	8		2	Flat Washer (φ6.5x13mm)	8	
3	Lock Washer (φ6.5x11mm)	8		4	Allen Key (M4x80mm)	1	
5	Long Screw (M4x30mm)	13		6	Short Screw (M3.5x15mm)	14	
7	Bracket	12		8	Steel band	1	

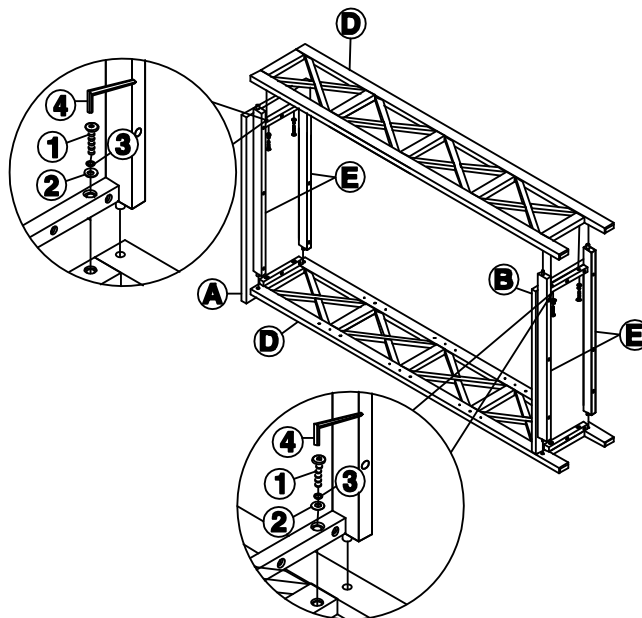
STEP 1

Attach the Bottom Shelf (B) and the Top (A) to one side frame (D) with bolts (1), and washers (2) and (3) as shown below. Tighten with Allen key (4).



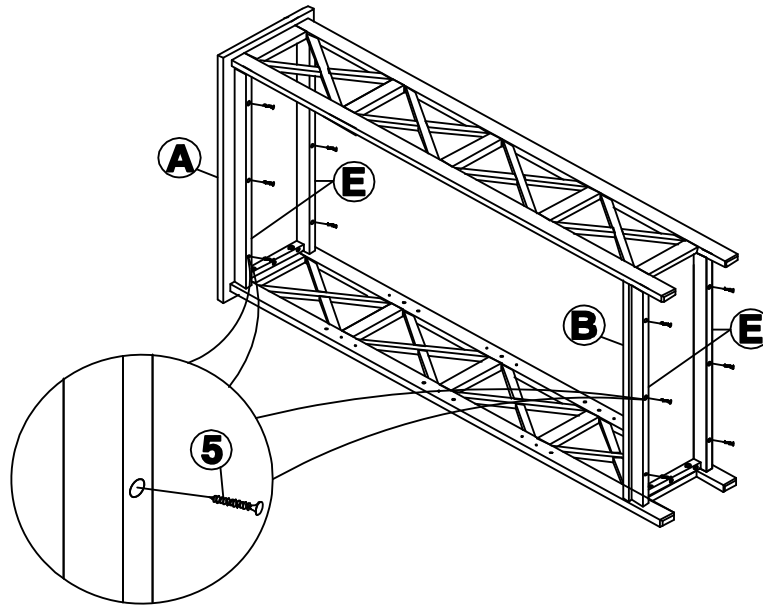
STEP 2

Insert Rails (E) into Side frames (D) as shown below.
Attach other Side frame (D) to unit with Bolts (1) and washers (2) and (3). Tighten with Allen key (4).



STEP 3

Attach Rails (E) to the top (A) and Bottom shelf (B), with screws (5), as shown below. Tighten with a screwdriver.



STEP 4

Attach brackets (7) to the unit. Place the Adjustable shelves (C) on the brackets, attach with screws (6), as shown below. Tighten with a screwdriver.

Attach the Steel band (8) to the unit with screws (6). Then attach the Steel band to the wall with the Long screw (5) as shown below (to secure the product and prevent tipping).

