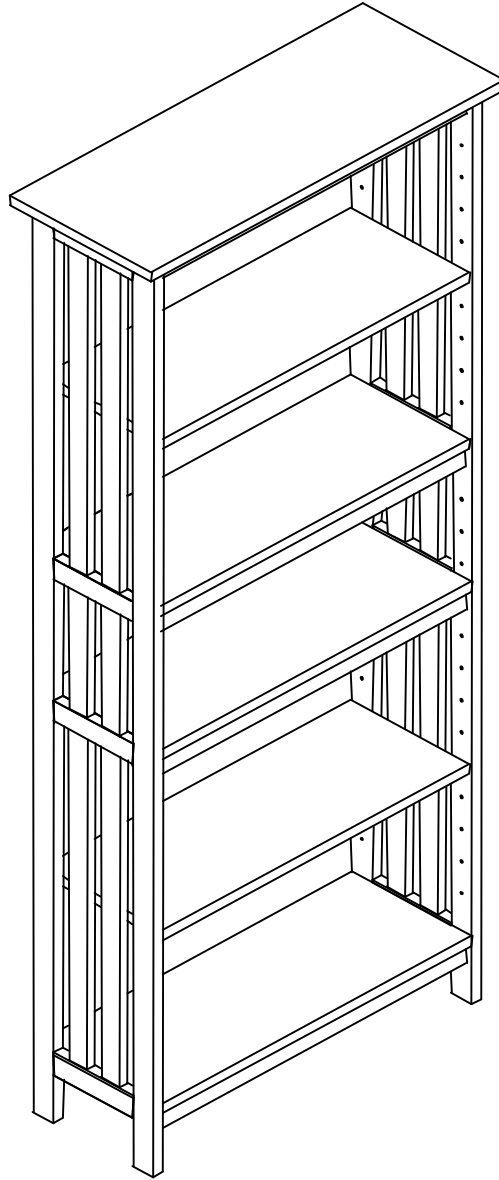


# ASSEMBLY INSTRUCTIONS

---



---

Description : MISSION BOOKCASE 30X72  
Item no : SH-7230M

ITEM NO : SH-7230M  
REVISED MAR 09, 2016

Printed in Vietnam

## BEFORE ASSEMBLY

Thank you for purchasing this quality product. This product has been designed for easy assembly and constructed for durability. All parts were checked prior to packaging to insure quality. Prior to beginning assembly, however, make sure all parts and hardware are included and free of obvious defect. If a part is missing or defective, please contact the store where purchased. If hardware is missing, or you need help with assembly, please call toll free 888-944-8396.

### IMPORTANT NOTE:

- Place all wooden parts on a clean and smooth surface such as a rug or carpet to avoid the parts from being scratched.
- Remove all wrapping material, including staples & packing straps before you start to assemble.
- DO NOT tighten all screws and bolts until completely assembled.
- Keep all hardware parts out of reach of children.

### WARNING:

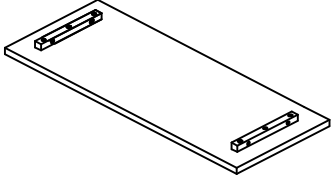
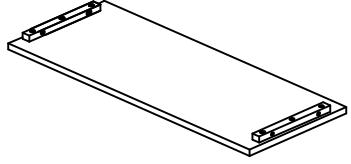
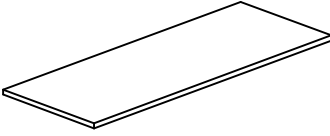
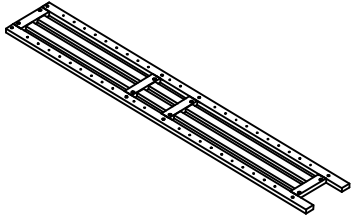
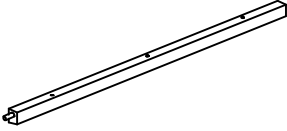
Long exposure to rubber or soft plastic may cause a chemical reaction and damage the finish of your product. Protect the surface of the product with cloth if you are using any product with rubber feet or base.

### ASSEMBLY TOOLS REQUIRED NOT INCLUDED



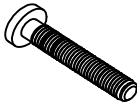


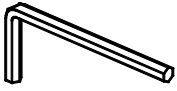
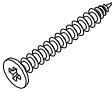
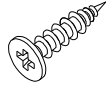
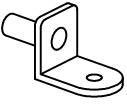

## PART LIST

When unpacking, please be careful not to discard any parts with the packaging. Before continuing, please make sure you have the following parts:

| NO | Description      | Qty | Sketch  | NO | Description      | Qty | Sketch  |
|----|------------------|-----|---|----|------------------|-----|---|
| A  | Top              | 1   |  | B  | Fixed shelf      | 3   |  |
| C  | Adjustable shelf | 2   |  | D  | Side frame (L-R) | 2   |  |
| E  | Rail             | 8   |  |    |                  |     |   |

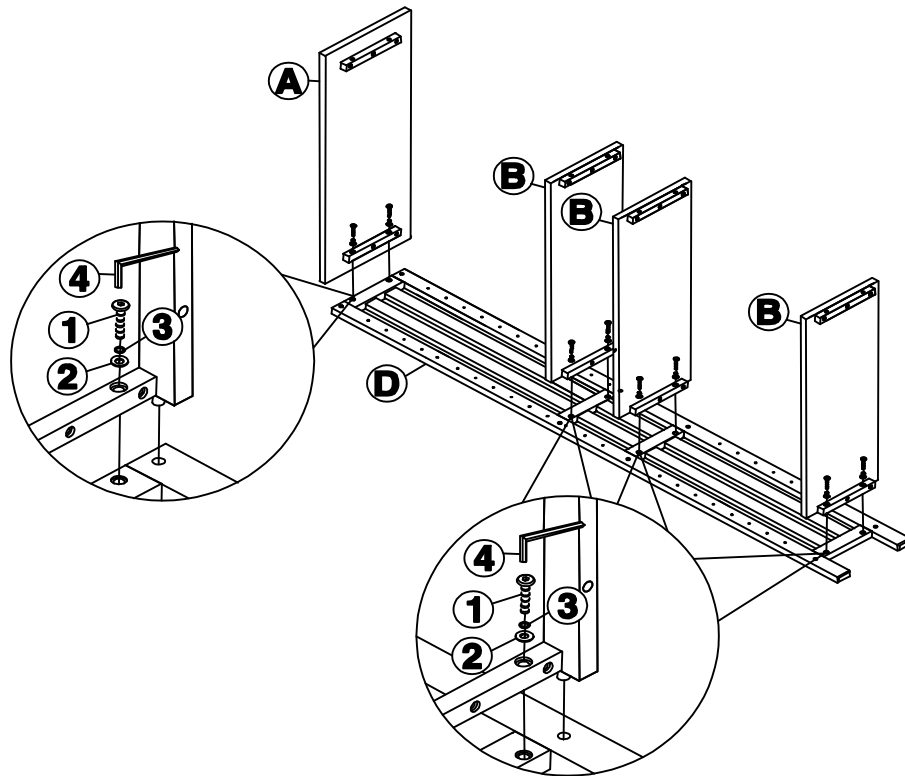
## HARDWARE LIST

When unpacking, please be careful not to discard any parts with the packaging. Before continuing, please make sure you have all of the following hardware:

| NO | Description                | Qty | Sketch  | NO | Description                | Qty | Sketch  |
|----|----------------------------|-----|---|----|----------------------------|-----|---|
| 1  | bolt<br>(M6x30mm)          | 16  |  | 2  | Flat Washer<br>(φ6.5x13mm) | 16  |  |
| 3  | Lock Washer<br>(φ6.5x11mm) | 16  |  | 4  | Allen Key<br>(M4x80mm)     | 1   |  |
| 5  | Long Screw<br>(M4x30mm)    | 25  |  | 6  | Short Screw<br>(M3.5x15mm) | 10  |  |
| 7  | Bracket                    | 8   |  | 8  | Steel band                 | 1   |  |

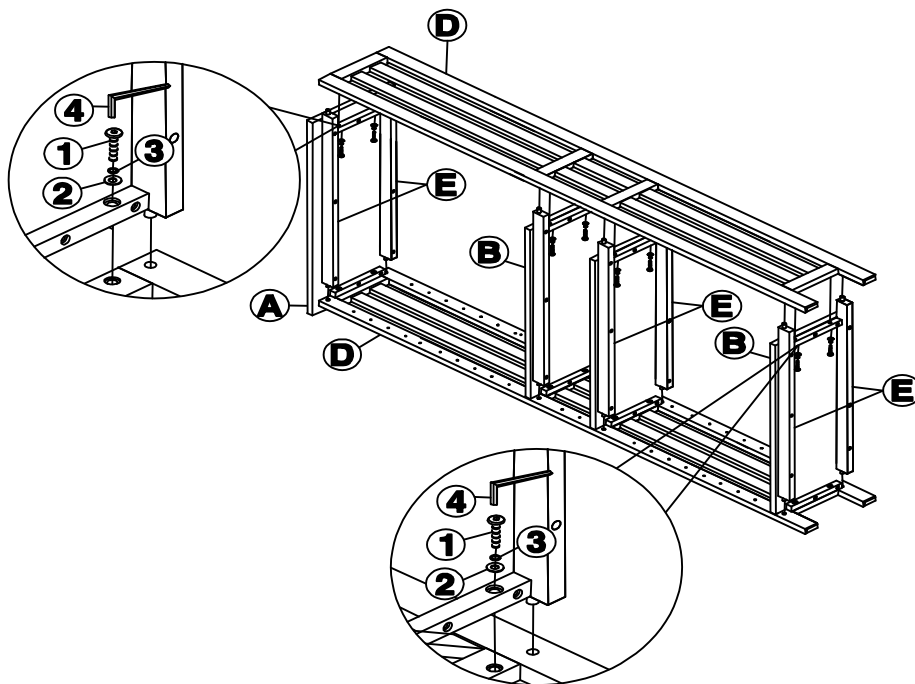
## STEP 1

Attach shelves (B) and top (A) to the side frame (D) with bolts (1), and washers (2) and (3) as shown below. Tighten with Allen key (4).



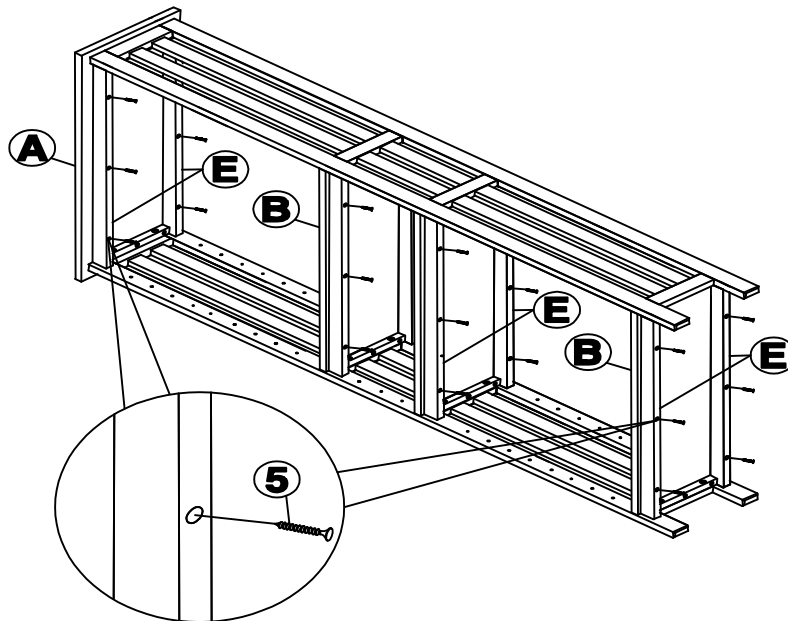
## STEP 2

Insert rails (E) into side frames (D) as shown below. Then attach other side frame (D) to the unit with bolts (1), and washers (2) and (3). Tighten with Allen key (4).



## STEP 3

Attach rails (E) to the top (A) and shelves (B) with screws (5) as shown below. Tighten with a screwdriver.



## STEP 4

Attach brackets (7) to the unit. Place the adjustable shelves (C) on the brackets and attach with screws (6) as shown below. Tighten with a screwdriver.

Attach the steel band (8) to the unit with screws (6). Then attach the steel band to the wall with screw (5) as shown below (to secure the product and prevent tipping).

