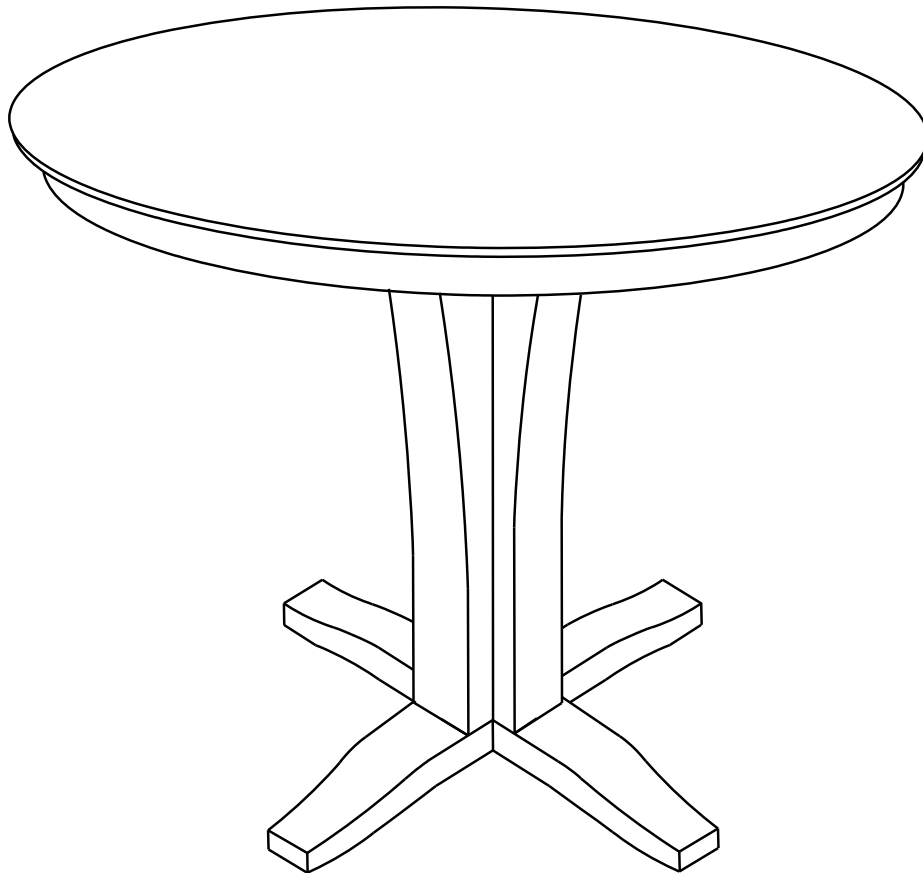


# ASSEMBLY INSTRUCTIONS

---



---

Description : VERONA 45 IN ROUND TABLE  
Item No. : T-45RT AND T-4536B

ITEM NO.: T-45RT AND T-4536B  
REVISED JAN 17, 2015

Printed in Vietnam

## BEFORE ASSEMBLY

Thank you for purchasing this quality product. This product has been designed for easy assembly and constructed for durability. All parts were checked prior to packaging to insure quality. Prior to beginning assembly, however, make sure all parts and hardware are included and free of obvious defect. If a part is missing or defective, please contact the store where purchased. If hardware is missing, or you need help with assembly, please call toll free 888-944-8396.

**IMPORTANT NOTE:**

- Place all wooden parts on a clean and smooth surface such as a rug or carpet to avoid the parts from being scratched.
- Remove all wrapping material, including staples & packing straps before you start to assemble.
- DO NOT tighten all screws and bolts until completely assembled.
- Keep all hardware parts out of reach of children.

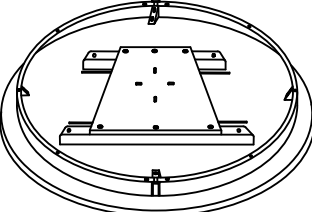
**WARNING:**

Long exposure to rubber or soft plastic may cause a chemical reaction and damage the finish of your table. Protect the surface of the table with cloth if you are using any product with rubber feet or base.



## PART LIST T-45RT

When unpacking, please be careful not to discard any parts with the packaging. Before continuing, please make sure you have the following parts:


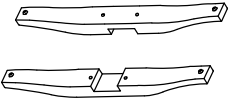
NO	Description	Qty	Sketch	NO	Description	Qty	Sketch
A	Table top	1					

**ITEM NO.: T-45RT AND T-4536B**  
**REVISED JAN 17, 2015**

**Printed in Vietnam**


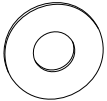


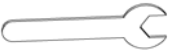

## PART LIST T-4536B

When unpacking, please be careful not to discard any parts with the packaging. Before continuing, please make sure you have the following parts:

NO	Description	Qty	Sketch	NO	Description	Qty	Sketch
<b>B</b>	Pedestal column	1		<b>C</b>	Leg	2	

## HARDWARE LIST

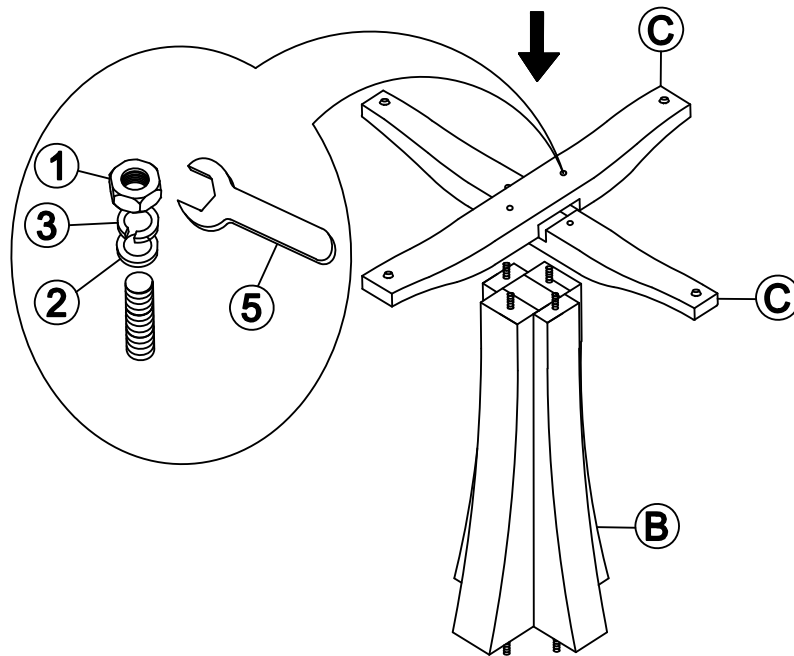
When unpacking, please be careful not to discard any parts with the packaging. Before continuing, please make sure you have all of the following hardware:

NO	Description	Qty	Sketch	NO	Description	Qty	Sketch
1	Hexagon nut (M8x13mm)	8		2	Flat washer (Φ8.5 x 19mm)	4	
3	Lock Washer (Φ8.5 x 13mm)	8		4	Allen Key (4mm)	1	
5	Wrench (13mm)	1		6	Flat washer (Φ8.5 x 22mm)	4	

**NOTE: HARDWARE PACKED IN CARTON T-4536B**

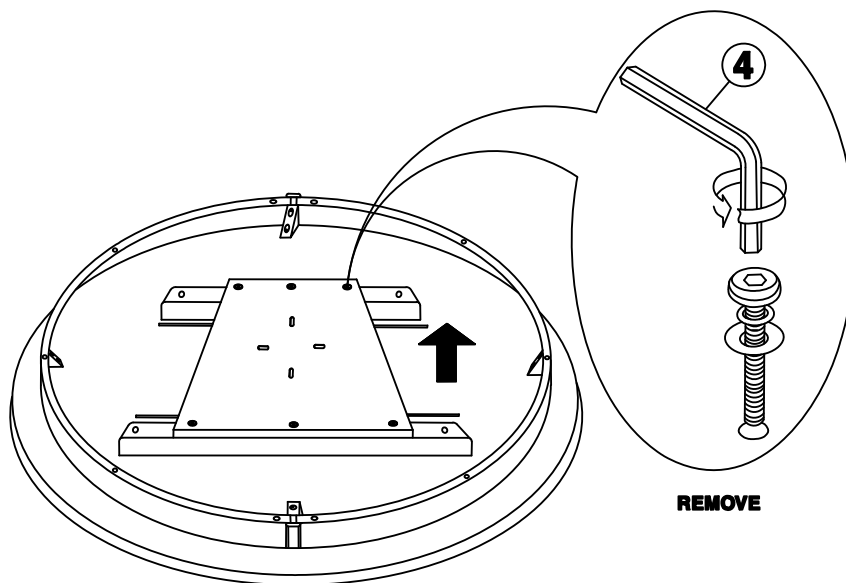
## STEP 1

Attach legs (C) to pedestal column (B) with nuts (1), and washers (2) and (3). Tighten with the wrench (5) as shown below.



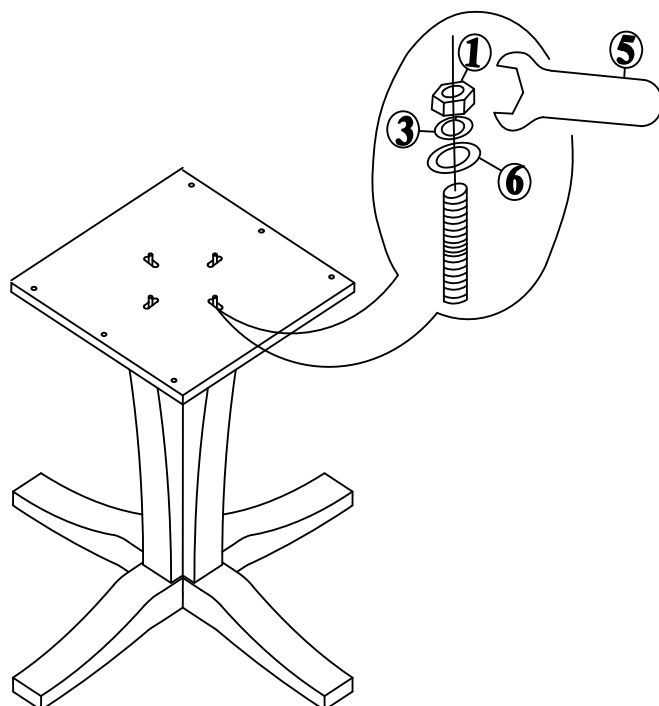
## STEP 2

Use the Allen key (4) to loosen the bolts and washers and remove the mounting plate underneath the table top.



### STEP 3

Place the mounting plate on top of the pedestal column (B), attach with nuts (1), and washers (2) and (3). Tighten with the wrench (5) as shown below.



### STEP 4

Carefully place the mounting plate, pedestal, and base (from step 3) on the bottom side of the table top. Attach the table top to the mounting plate with bolts and washers (from step 2) as shown below. Tighten with the Allen key (4).

