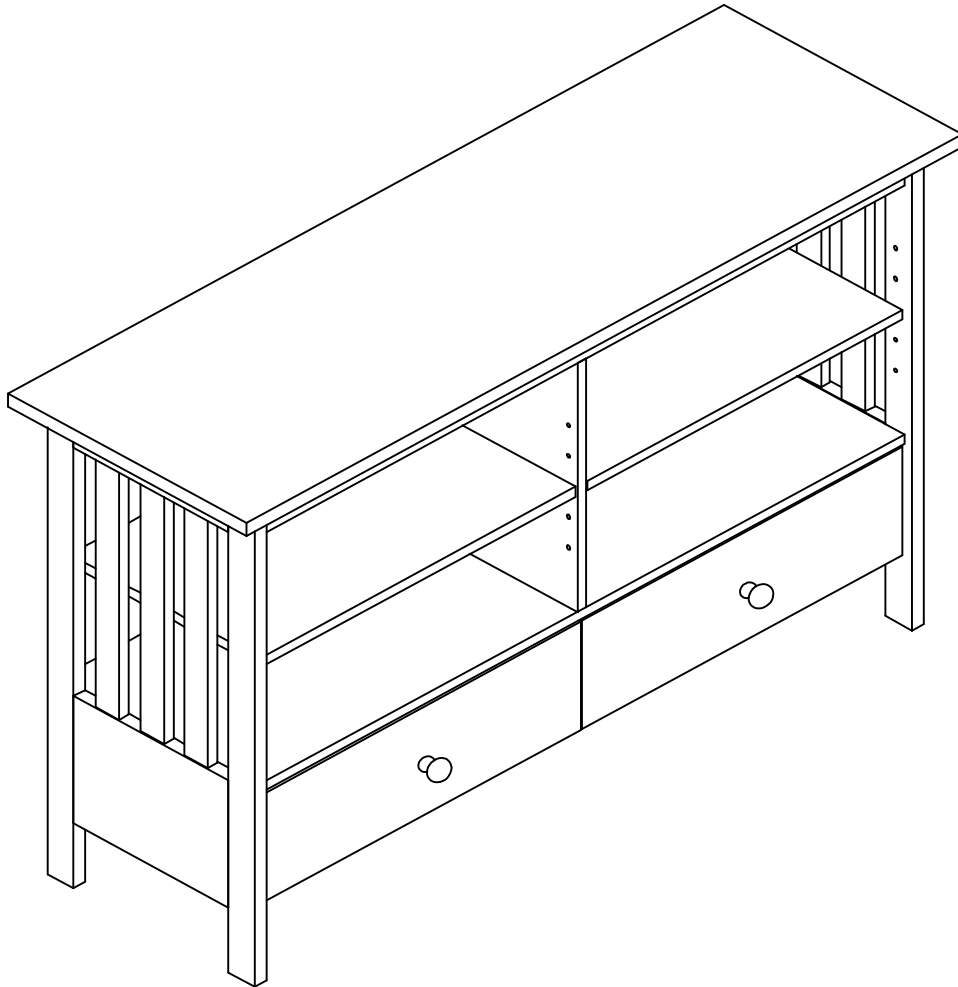


# ASSEMBLY INSTRUCTIONS

---



---

Description	: 48 IN MISSION TV STAND
Item No.	: TV-31

## BEFORE ASSEMBLY

Thank you for purchasing this quality product. This product has been designed for easy assembly and constructed for durability. All parts were checked prior to packaging to insure quality. Prior to beginning assembly, however, make sure all parts and hardware are included and free of obvious defect. If a part is missing or defective, please contact the store where purchased. If hardware is missing, or you need help with assembly, please call toll free 888-944-8396.

### IMPORTANT NOTE:

- Place all wooden parts on a clean and smooth surface such as a rug or carpet to avoid the parts from being scratched.
- Remove all wrapping material, including staples & packing straps before you start to assemble.
- DO NOT tighten all screws and bolts until completely assembled.
- Keep all hardware parts out of reach of children.

### WARNING:

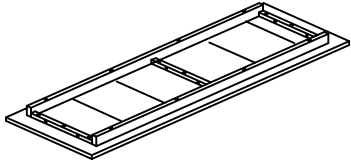
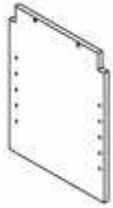
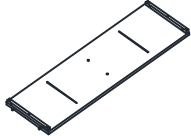
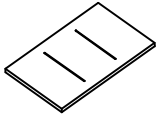
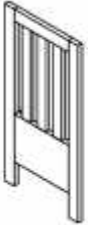


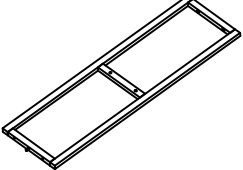
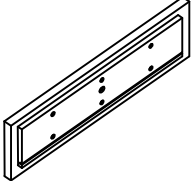
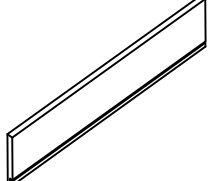

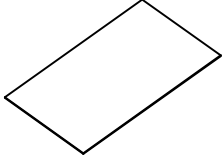
Long exposure to rubber or soft plastic may cause a chemical reaction and damage the finish on your product. Protect the surface of the product with a cloth if you are using any product with rubber feet or base.

### ASSEMBLY TOOLS REQUIRED NOT INCLUDED



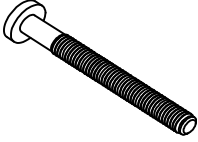



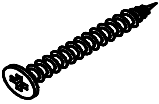
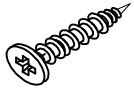
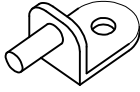

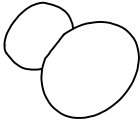
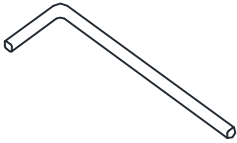
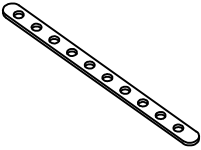

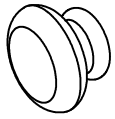
# PART LIST

When unpacking, please be careful not to discard any parts with the packaging. Before continuing, please make sure you have the following parts

NO	Description	Qty	Sketch	NO	Description	Qty	Sketch
A	TOP	1		B	VERTICAL PANEL	1	
C	BOTTOM PANEL	1		D	SHELF	2	
E	SIDE FRAME (L&R)	2		F	BACK PANEL	1	
G	VERTICAL FRAME	1		H	BOTTOM FRAME	1	
I	DRAWER FRONT (L&R)	2		J	DRAWER BACK	2	
K	DRAWER SIDE PANEL (L&R)	4		L	DRAWER BOTTOM	2	

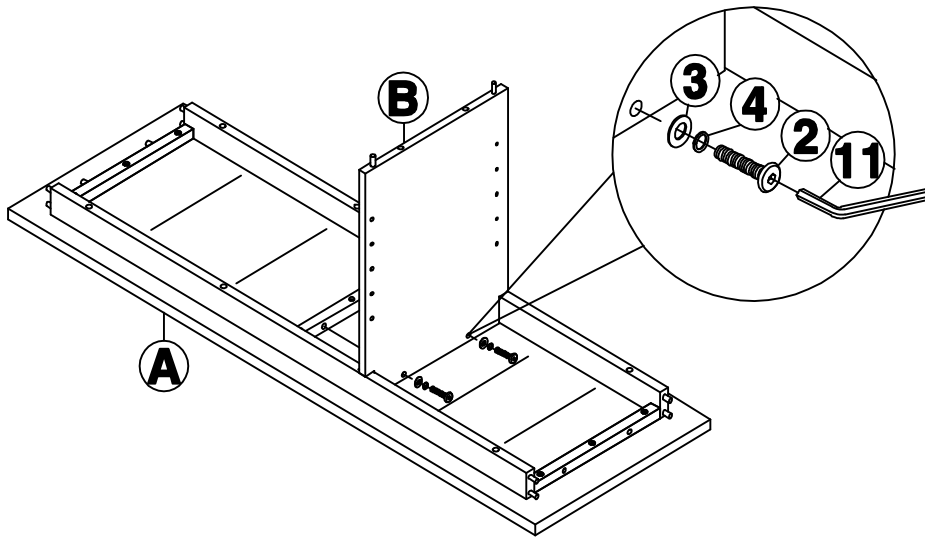
# HARDWARE LIST

When unpacking, please be careful not to discard any parts with the packaging. Before continuing, please make sure you have all of the following hardware:

NO	Description	Qty	Sketch	NO	Description	Qty	Sketch
1	Long bolt (M6x50mm)	2		2	Medium bolt (M6x35mm)	16	
3	Large flat washer ( $\phi$ 6.5x16mm)	10		4	Spring washer ( $\phi$ 6.5x11 mm)	18	
5	Medium screw (M4x30mm)	17		6	Short screw (M3.5x15mm)	10	
7	Shelf support bracket	8		8	Pan head screw *Metal knob: (M4x22mm) *Wooden knob: (M4x25mm)	2	
9	Wooden knob	2		10	Warning label	2	<div style="border: 1px solid black; padding: 5px; text-align: center;"> <p><b>WARNING!</b> THIS ITEM IS PRONE TO TIPPING. USE ANTI-TIPPING HARDWARE (PROVIDED) TO SECURE TO THE WALL. DO NOT ALLOW CHILDREN TO CLIMB ON FURNITURE. PLACE HEAVIEST OBJECTS IN LOWER DRAWERS. DO NOT OPEN MORE THAN ONE DRAWER ON THE UNIT AT THE SAME TIME.</p> </div>
11	Allen key (M4x80mm)	1		12	Steel band	1	
13	Small flat washer ( $\phi$ 6.5x13mm)	8			<b>METAL KNOB</b> ( $\Phi$ 30 x 30mm) <b>GOES WITH</b> <b>FINISHED ITEM</b> <b>ONLY.</b>	2	

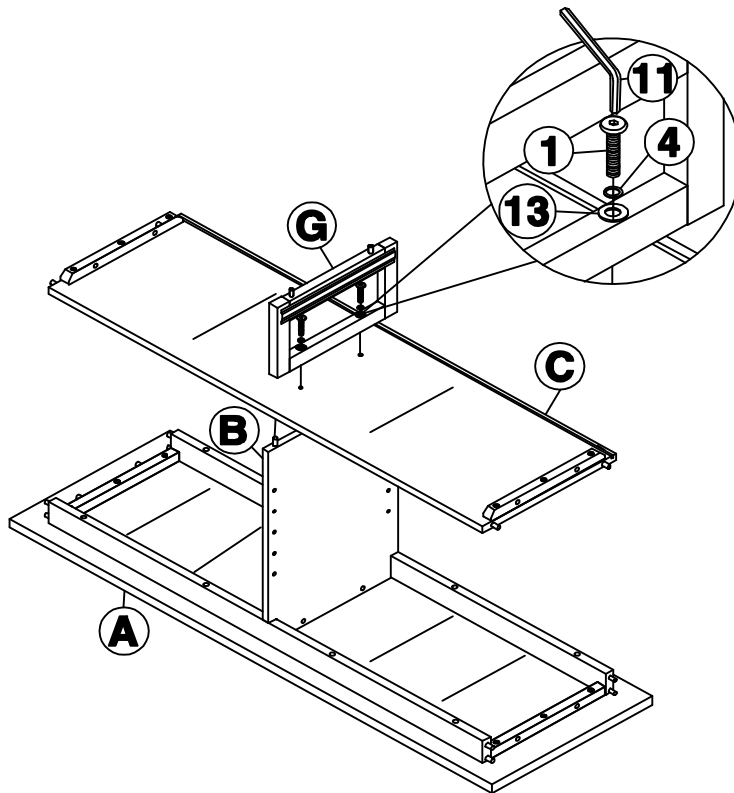
## STEP 1

Attach Vertical panel (B) to the Top (A) with bolts (2) and washers (3) and (4), as shown below. Tighten with Allen key (11).



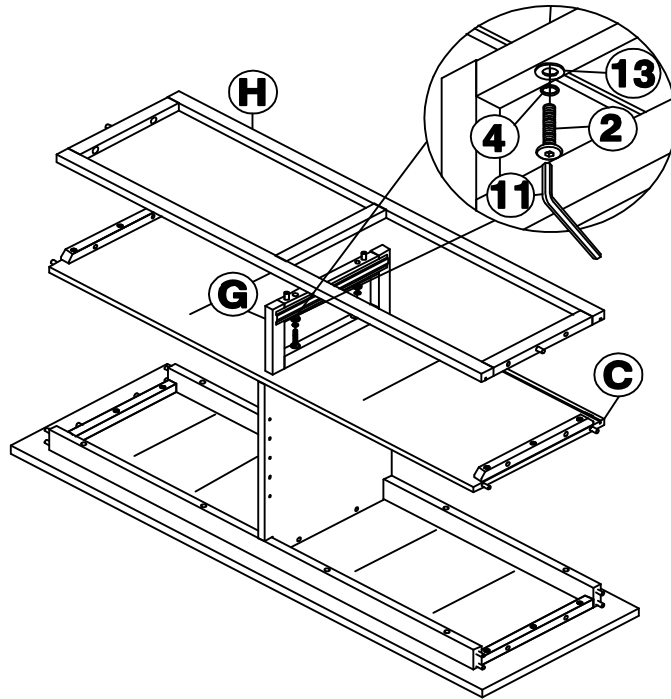
## STEP 2

Attach Bottom panel (C), Vertical frame (G) to the unit (from Step 1) with bolts (1) and washers (4) and (13) as shown below. Tighten with Allen key (11).



## STEP 3

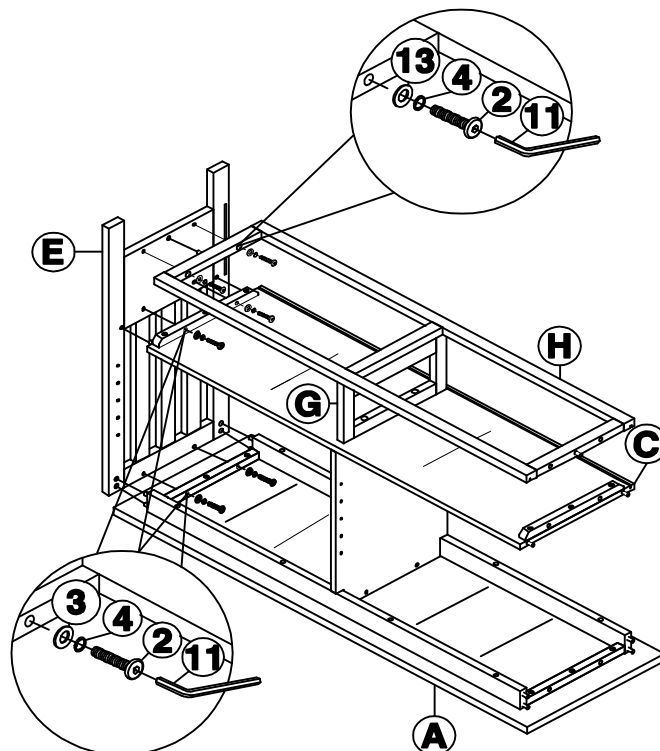
Attach Bottom frame (H) to the unit (from Step 2) with bolts (2) and washers (4) and (13) as shown below. Tighten with Allen key (11).



## STEP 4

Attach Side frame (E) to the Top (A) and Vertical frame (G) with bolts (2) and washers (3), and (4), as shown below. Tighten with Allen key (11).

Attach Side frame (E) to Bottom frame (H) with bolts (2) and washers (13), and (4), as shown below. Tighten with Allen key (11).

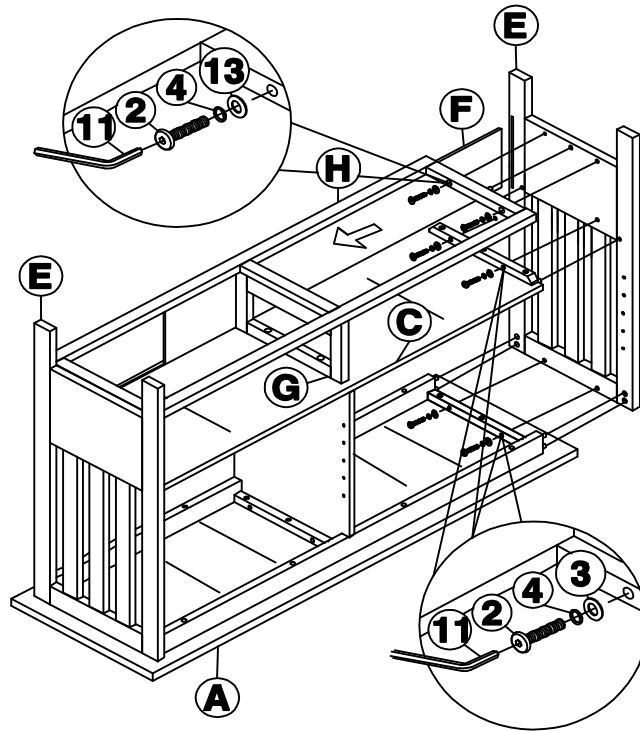


## STEP 5

Slide the back panel (F) into the grooves as shown below.

Attach Side frame (E) to the unit with bolts (2), and washers (4) and (13), as shown below. Tighten with Allen key (11).

Attach Side frame (E) to the unit with bolts (2), and washers (4) and (3), as shown below. Tighten with Allen key (11).

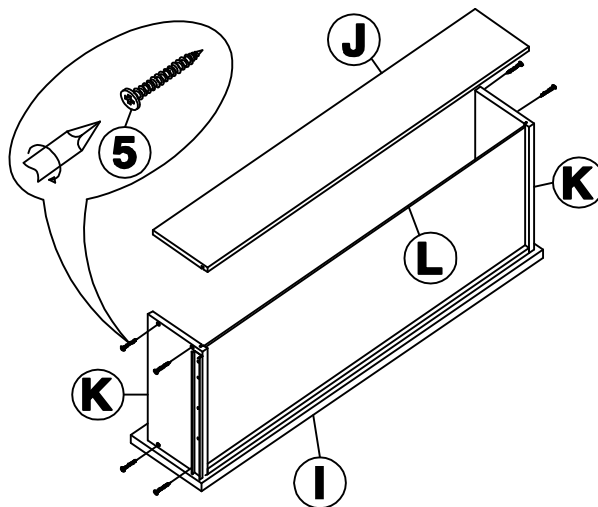


## STEP 6

Attach drawer sides (K) to drawer front (I) with screws (5) as shown below. Tighten with a screwdriver.

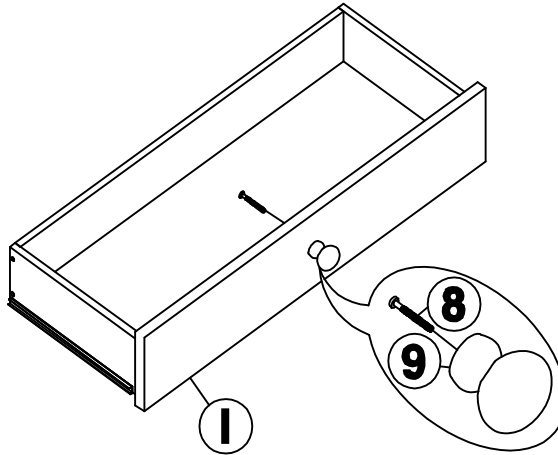
Slide drawer bottom (L) into grooves of drawer sides (K) and drawer fronts (I) as shown below.

Attach drawer back (J) to the drawer sides (K) with screws (5) as shown below. Tighten with a screwdriver.



## STEP 7

Attach the knobs (9) to front of drawers with pan head screws (8) as shown below. Tighten with a screwdriver.



## STEP 8

Stick warning labels (10) on the back side of drawers before use.

Attach brackets (7) to the unit as shown below. Then place shelves (D) on the brackets, and attach with screws (6). Tighten with a screwdriver.

Attach steel band (12) to the unit with screws (6). Then attach the steel band to a wall with screw (5) as shown below (to secure the product and prevent tipping). Tighten with a screwdriver.

