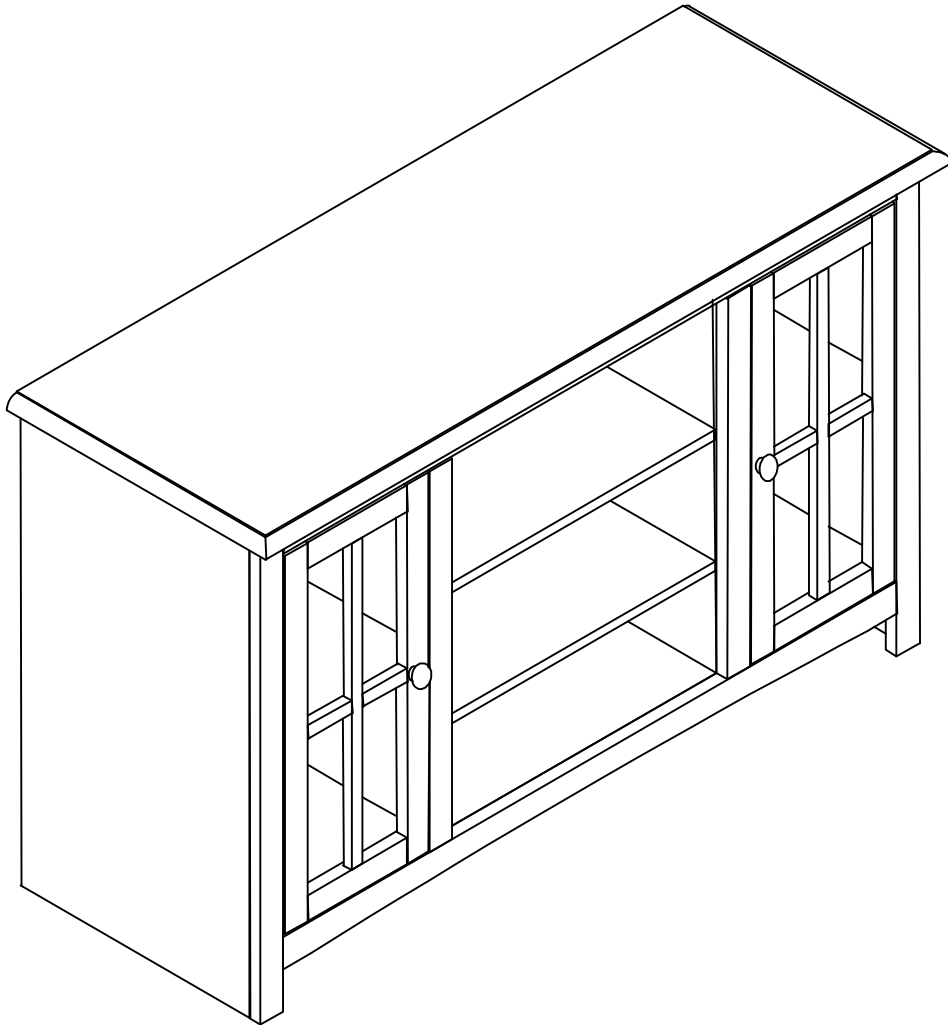


ASSEMBLY INSTRUCTIONS



Description : 48 IN TV STAND RTA
Item No : TV-34

ITEM NO.: TV-34
REVISED JAN 25, 2016

Printed in Vietnam

BEFORE ASSEMBLY

Thank you for purchasing this quality product. This product has been designed for easy assembly and constructed for durability. All parts were checked prior to packaging to insure quality. Prior to beginning assembly, however, make sure all parts and hardware are included and free of obvious defect. If a part is missing or defective, please contact the store where purchased. If hardware is missing, or you need help with assembly, please call toll free 888-944-8396.

IMPORTANT NOTE:

- Place all wooden parts on a clean and smooth surface such as a rug or carpet to avoid the parts from being scratched.
- Remove all wrapping material, including staples & packing straps before you start to assemble.
- DO NOT tighten all screws and bolts until completely assembled.
- Keep all hardware parts out of reach of children.

WARNING:

Long exposure to rubber or soft plastic may cause a chemical reaction and damage the finish of your product. Protect the surface of the product with cloth if you are using any product with rubber feet or base.

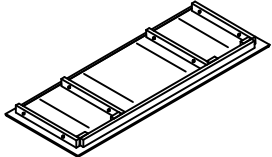
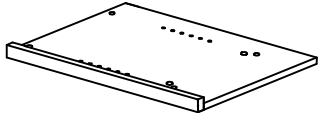
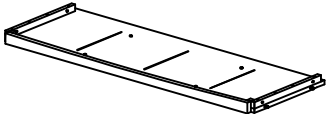
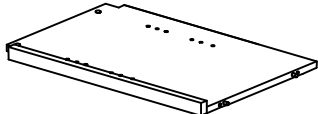
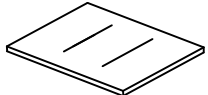
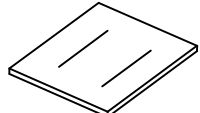
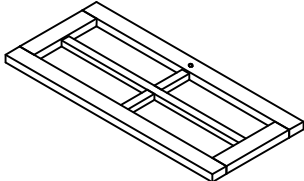
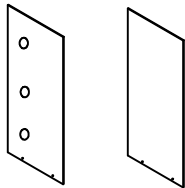

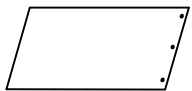

ASSEMBLY TOOLS REQUIRED

NOT INCLUDED




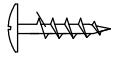

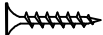

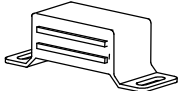

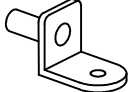



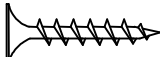
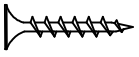
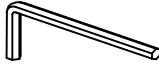
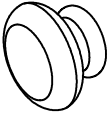
PART LIST

When unpacking, please be careful not to discard any parts with the packaging. Before continuing, please make sure you have the following parts:

NO	Description	Qty	Sketch	NO	Description	Qty	Sketch
A	Top	1		F	Side panel (L-R)	2	
B	Bottom panel	1		G	Vertical panel (L-R)	2	
C	Center shelf	2		H	Side shelf	2	
D	Door (L-R)	2		I	Center back panel (L-R)	2	
E	Glass	2		J	Side back panel	2	
				K	H - Connector	1	

HARDWARE LIST

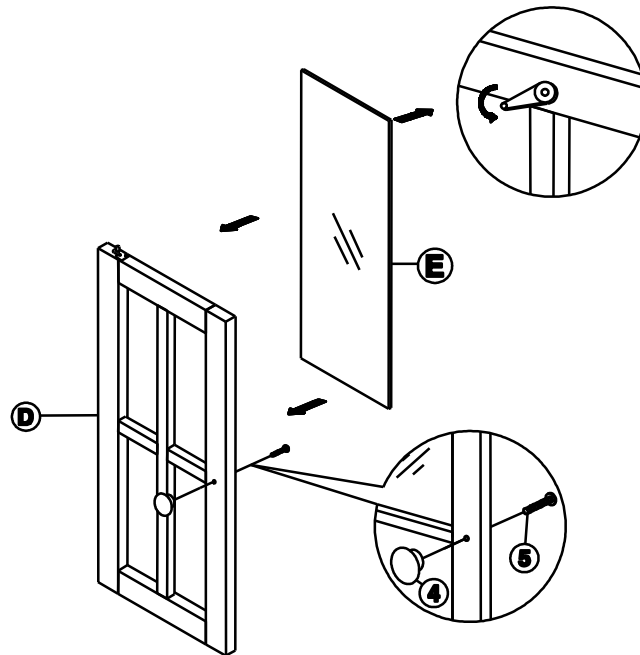
When unpacking, please be careful not to discard any parts with the packaging. Before continuing, please make sure you have all of the following hardware:

NO	Description	Qty	Sketch	NO	Description	Qty	Sketch
1	Bolt (M6x35mm)	16		9	Short pan head screw (M3x15mm)	10	
2	Spring washer (Φ6.5x13mm)	16		10	Screw (M3x15mm)	22	
3	Flat Washer (Φ6.5x19mm)	16		11	Magnet	2	
4	Wooden knob (Φ38x30mm)	2		12	Shelf support bracket	16	
5	Long pan head screw *Metal knob: (M4x22mm) *Wooden knob: (M4x25mm)	2		13	Steel band	1	
6	Door pin (Φ5.2/Φ13x1.2mm) (Φ7x10mm)	4		14	Warning label	2	<div style="border: 1px solid black; padding: 5px; text-align: center;"> <p>WARNING! THIS ITEM IS PRONE TO TIPPING. USE ANTI-TIPPING HARDWARE (PROVIDED) TO SECURE TO THE WALL. DO NOT ALLOW CHILDREN TO CLIMB ON FURNITURE. PLACE HEAVIEST OBJECTS IN LOWER DRAWERS. DO NOT OPEN MORE THAN ONE DRAWER ON THE UNIT AT THE SAME TIME.</p> </div>
7	Long screw (M4x30mm)	1		15	Medium screw (M4x25mm)	2	
8	Allen key (M4x80mm)	1			METAL KNOB (Φ30x30mm) GOES WITH FINISHED ITEM ONLY.	2	

STEP 1

Attach glass (E) to back of doors (D), and lock it.

Attach knobs (4) to doors (D) with pan head screws (5) as shown below. Tighten with a screwdriver.

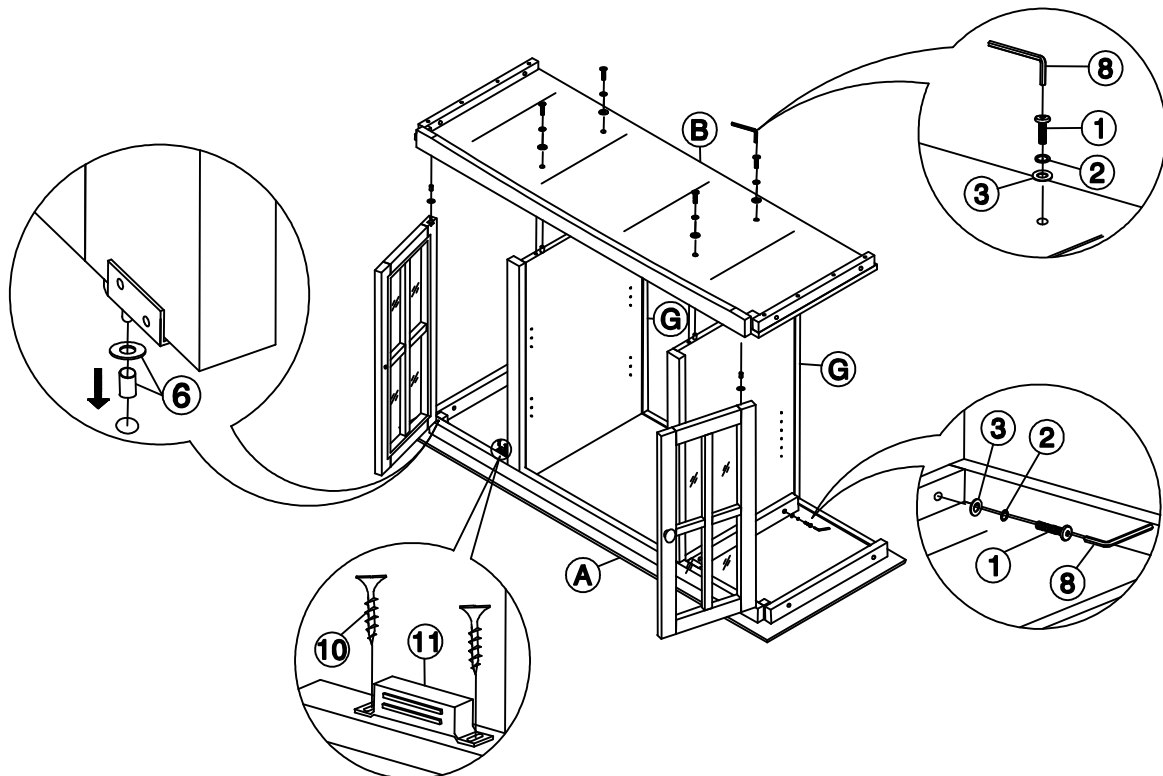


STEP 2

Attach panels (G) to top (A) and bottom panel (B) with bolts (1), and washers (2) and (3) as shown below. Tighten with Allen key (8).

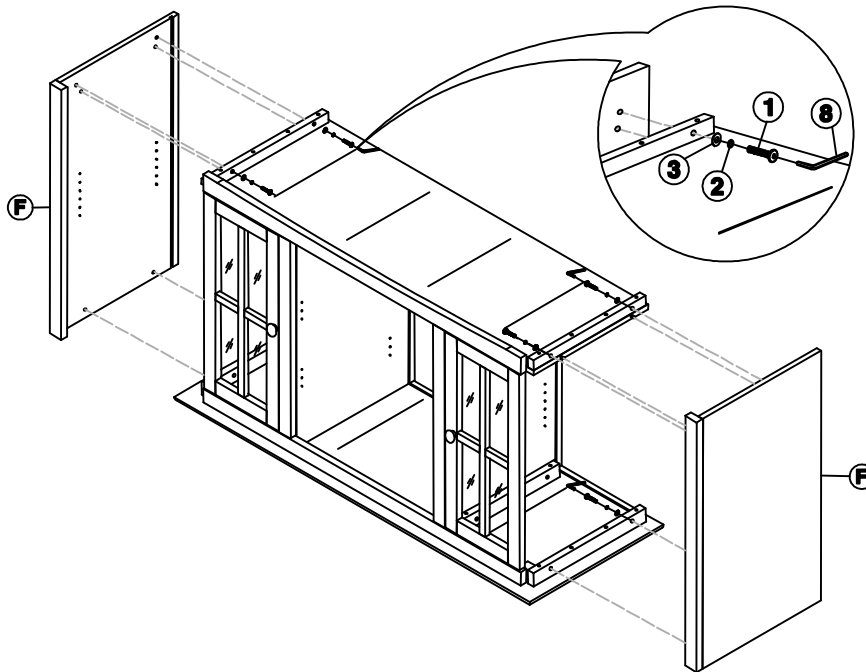
Attach doors (D) (from STEP 1) to top (A) and bottom (B) with door pins (6).

Attach magnets (11) to top (A) with screws (10) as shown below. Tighten with a screwdriver.



STEP 3

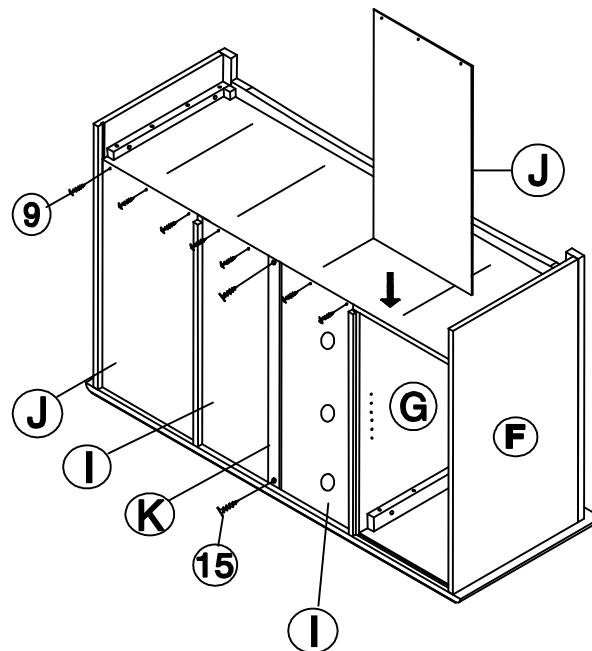
Attach side panels (F) to the unit with bolts (1), and washers (2) and (3) as shown below. Tighten with Allen key (8).



STEP 4

Slide center back panels (I) into groove of H-connector (K). Then slide center back panels (I) into groove of panels (F). Attach center back panels (I) to bottom (B) with screws (9). Attach H-connector to top (A) and bottom (B) with screws (15) as shown below. Tighten with a screwdriver.

Slide side back panels (J) into grooves of panels (G) and (F). Then attach back panels to bottom (B) with pan head screws (9) as shown below. Tighten with a screwdriver.



STEP 5 (FINISH)

Stick Warning labels (14) on the back side of doors before use.

Insert brackets (12) into the unit as shown below. Place shelves (C) and (H) on the brackets and attach with screws (10). Tighten with a screwdriver.

Attach steel band (13) to the unit with screws (10). Then attach the steel band to a wall with screw (7) as shown below (to secure the product and prevent tipping). Tighten with a screwdriver.

