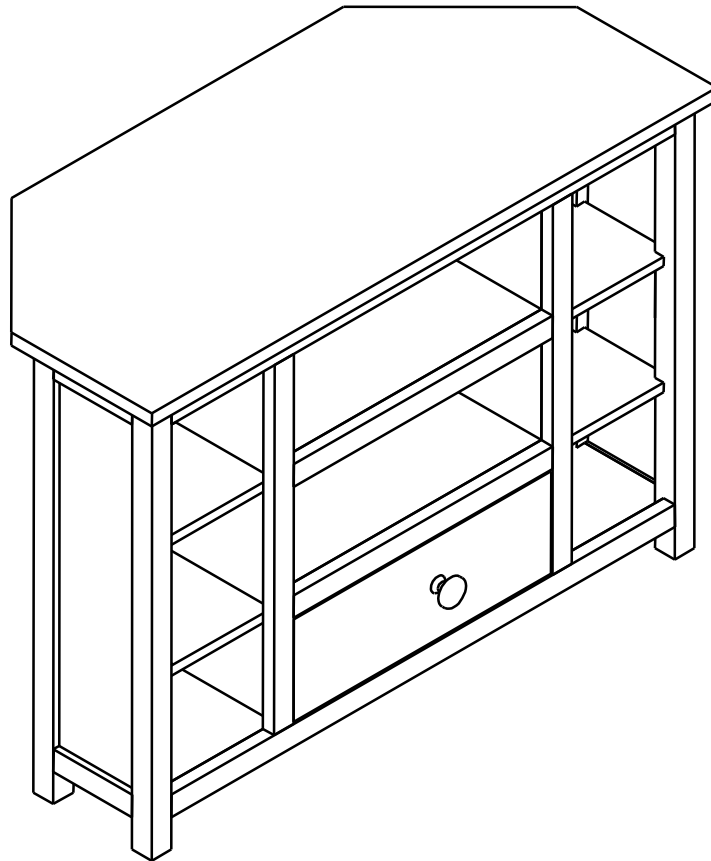


# ASSEMBLY INSTRUCTIONS

---



---

Description : CORNER ENTERTAINMENT CENTER  
Item No. : TV-49

## BEFORE ASSEMBLY

Thank you for purchasing this quality product. This product has been designed for easy assembly and constructed for durability. All parts were checked prior to packaging to insure quality. Prior to beginning assembly, however, make sure all parts and hardware are included and free of obvious defect. If a part is missing or defective, please contact the store where purchased. If hardware is missing, or you need help with assembly, please call toll free 888-944-8396.

### IMPORTANT NOTE:

- Place all wooden parts on a clean and smooth surface such as a rug or carpet to avoid the parts from being scratched.
- Remove all wrapping material, including staples & packing straps before you start to assemble.
- DO NOT tighten all screws and bolts until completely assembled.
- Keep all hardware parts out of reach of children.

### WARNING:

Long exposure to rubber or soft plastic may cause a chemical reaction and damage the finish of your table. Protect the surface of the table with cloth if you are using any product with rubber feet or base.

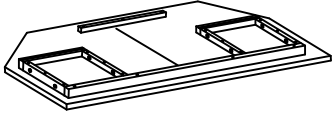
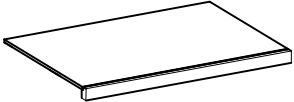
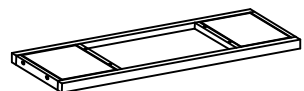
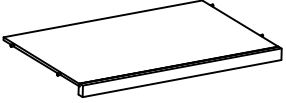


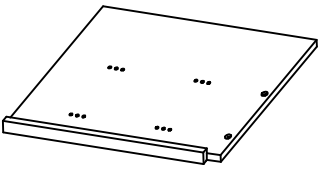
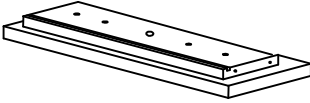

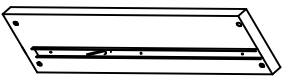


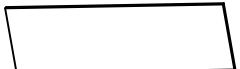

### ASSEMBLY TOOLS REQUIRED

NOT INCLUDED




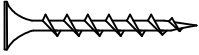

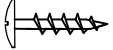
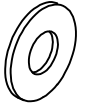
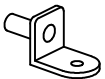




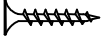
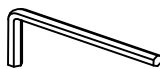
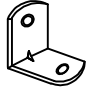
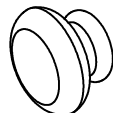
# PART LIST

When unpacking, please be careful not to discard any parts with the packaging. Before continuing, please make sure you have the following parts:

| NO | Description          | Qty | Sketch  | NO | Description       | Qty | Sketch  |
|----|----------------------|-----|---|----|-------------------|-----|---|
| A  | Top                  | 1   |    | H  | Center Shelf      | 1   |    |
| B  | Bottom panel         | 1   |    | I  | Center panel      | 1   |    |
| C  | Side panel (L - R)   | 2   |    | J  | Side shelf        | 4   |    |
| D  | Vertical panel (L-R) | 2   |  | K  | Drawer front      | 1   |  |
| E  | Support leg          | 1   |  | L  | Drawer side (L-R) | 2   |  |
| F  | Center back panel    | 1   |  | M  | Drawer back       | 1   |  |
| G  | Side back panel      | 2   |  | N  | Drawer bottom     | 1   |  |

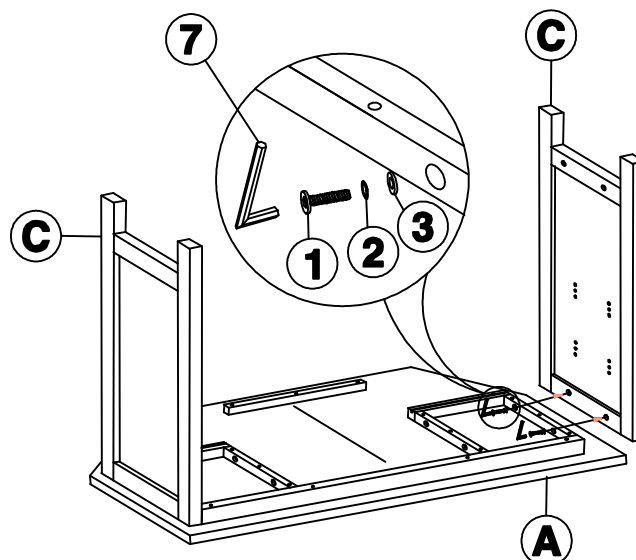
# HARDWARE LIST

When unpacking, please be careful not to discard any parts with the packaging. Before continuing, please make sure you have all of the following hardware:

| NO | Description   | Qty | Sketch  | NO | Description                          | Qty | Sketch  |
|----|---|-----|---|----|--------------------------------------|-----|---|
| 1  | Bolt<br>(M6x35mm)   | 22  |    | 8  | Long screw<br>(M4 x 30mm)            | 9   |    |
| 2  | Spring washer<br>(Φ6.5x11mm)  | 22  |    | 9  | Short pan head<br>screw<br>(Φ3x15mm) | 3   |    |
| 3  | Flat washer<br>(Φ6.5x 19mm)   | 12  |    | 10 | Shelf support<br>bracket             | 20  |    |
| 4  | Flat washer<br>(Φ6.5x 13mm)   | 10  |    | 11 | Steel band                           | 1   |    |
| 5  | Wooden knob<br>(Φ38x30mm)   | 1   |    | 12 | Warning label                        | 1   | <div style="border: 1px solid black; padding: 5px; width: fit-content;"> <p style="text-align: center; margin: 0;"><b>WARNING!</b></p> <p style="text-align: center; margin: 0; font-size: 8px;">THIS ITEM IS PRONE TO TIP-OVER.</p> <p style="text-align: center; margin: 0; font-size: 8px;">USE APPROPRIATE SUPPORTIVE FIXTURES TO SECURE TO THE WALL.</p> <p style="text-align: center; margin: 0; font-size: 8px;">DO NOT ALLOW CHILDREN TO CLIMB OR PLAY ON IT.</p> <p style="text-align: center; margin: 0; font-size: 8px;">PLEASE HOLD IT UPRIGHT IN LOWER POSITION.</p> <p style="text-align: center; margin: 0; font-size: 8px;">DO NOT OPEN MORE THAN ONE DRAWER ON THE UNIT AT THE SAME TIME.</p> </div> |
| 6  | Long pan head screw<br>*Metal knob: (M4x22mm)<br>*Wooden knob: (M4x25mm)                    | 1   |    | 13 | Screw<br>(M3.5 x 15mm)               | 26  |   |
| 7  | Allen key<br>(M4 x 80mm)  | 1   |  | 14 | L-bracket                            | 2   |    |
|    | <b>METAL KNOB</b><br>(Φ30x30mm)<br><b>GOES WITH</b><br><b>FINISHED ITEM</b><br><b>ONLY.</b> | 1   |  |    |                                      |     |   |

## STEP 1

Attach side panels (C) to the top (A) with bolts (1), washers (2) and (3) as shown below. Tighten with Allen key (7).



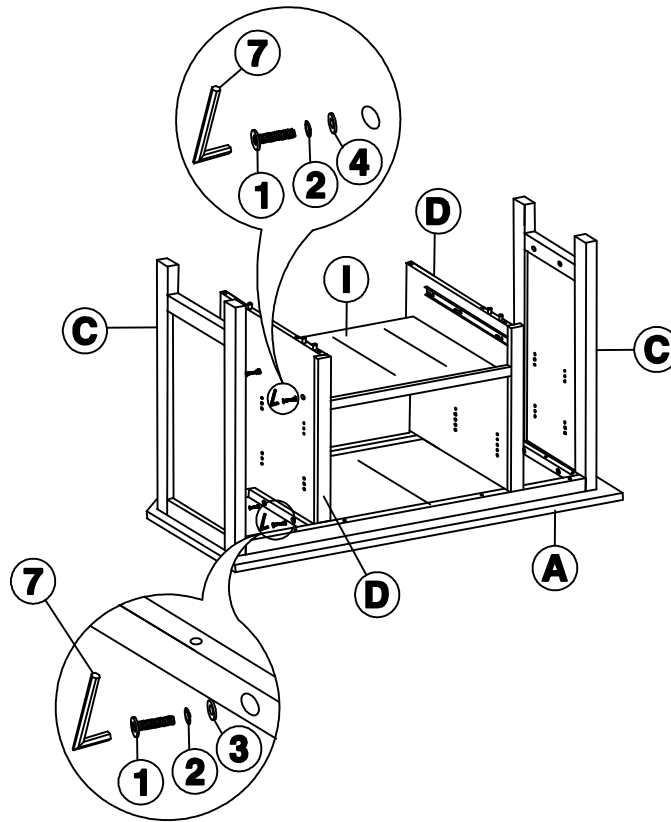
ITEM NO.: TV-49  
REVISED JAN 13, 2016

Printed in Vietnam

## STEP 2

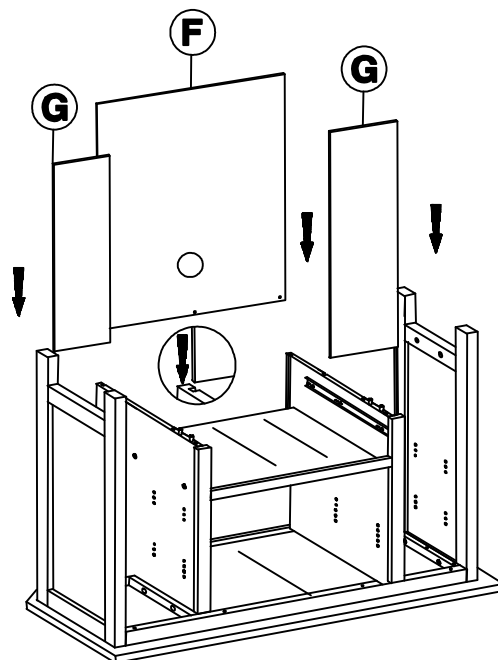
Attach center panel (I) to vertical panels (D) with bolts (1) and washers (2) and (4) as shown below. Tighten with Allen key (7).

Attach vertical panels (D) to the top (A) with bolts (1) and washers (2) and (3) as shown below. Tighten with Allen key (7).



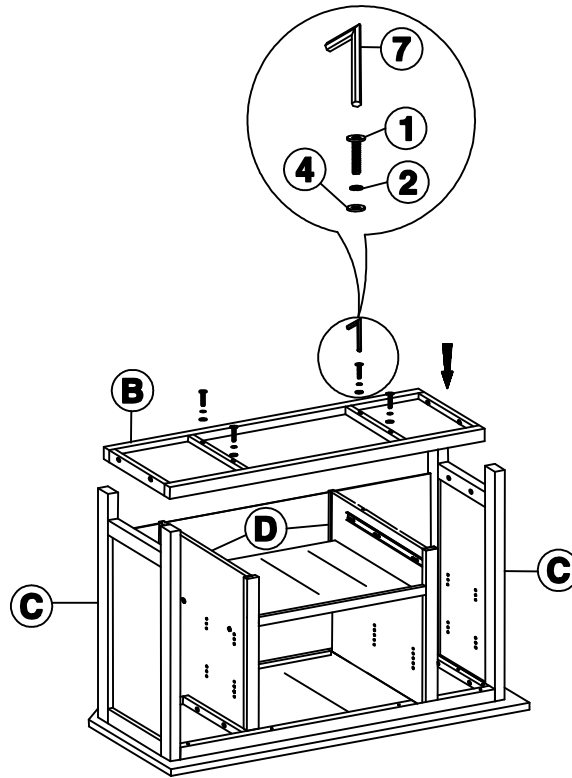
## STEP 3

Slide center back panel (F) and side back panel (G) into to the grooves as shown below.



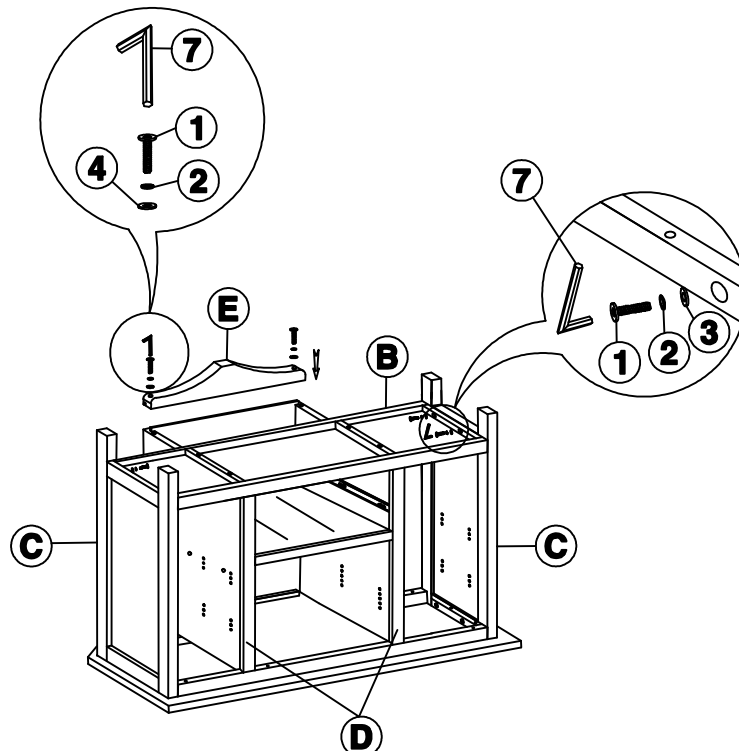
## STEP 4

Attach bottom panel (B) to vertical panels (D) with bolts (1) and washers (2) and (4) as shown below. Tighten with Allen key (7).



## STEP 5

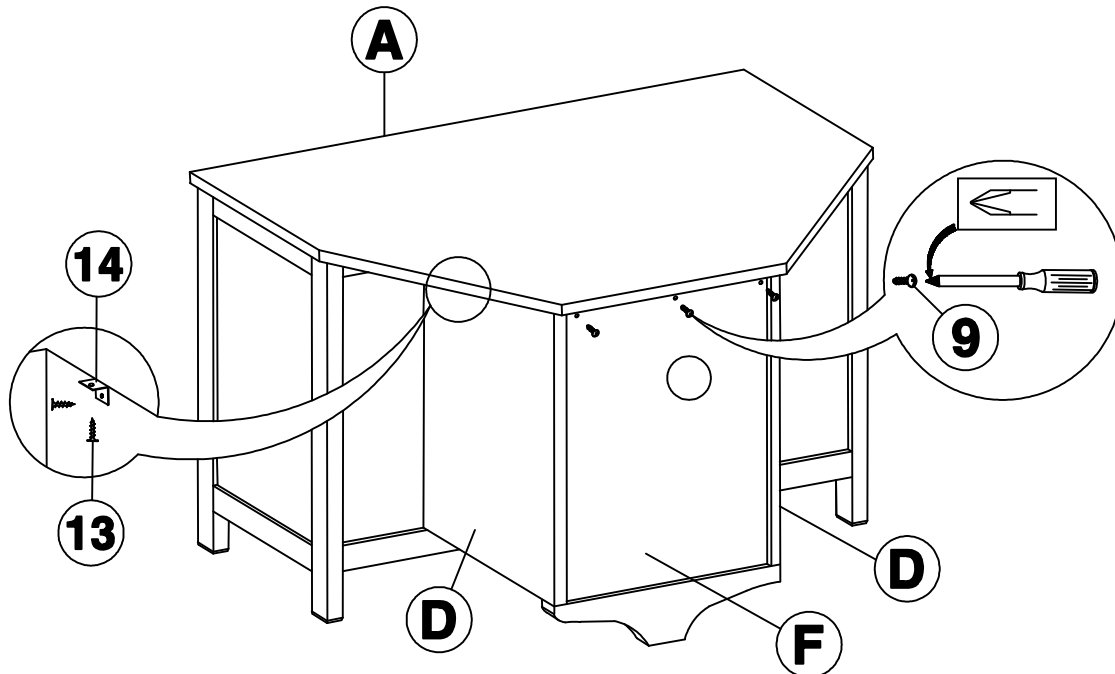
Attach bottom panel (B) to side panels (C) with bolts (1) and washers (2) and (3) as shown below. Attach support leg (E) to vertical panels (D) with bolts (1) and washers (2) and (4) as shown below. Tighten with Allen key (7).



## STEP 6

Attach center back panel (F) to top (A) with pan head screws (9) as shown below. Tighten with the screwdriver.

Attach top (A) to vertical panel (D) with (L) - brackets (14) and screws (13) as shown below. Tighten with the screwdriver.



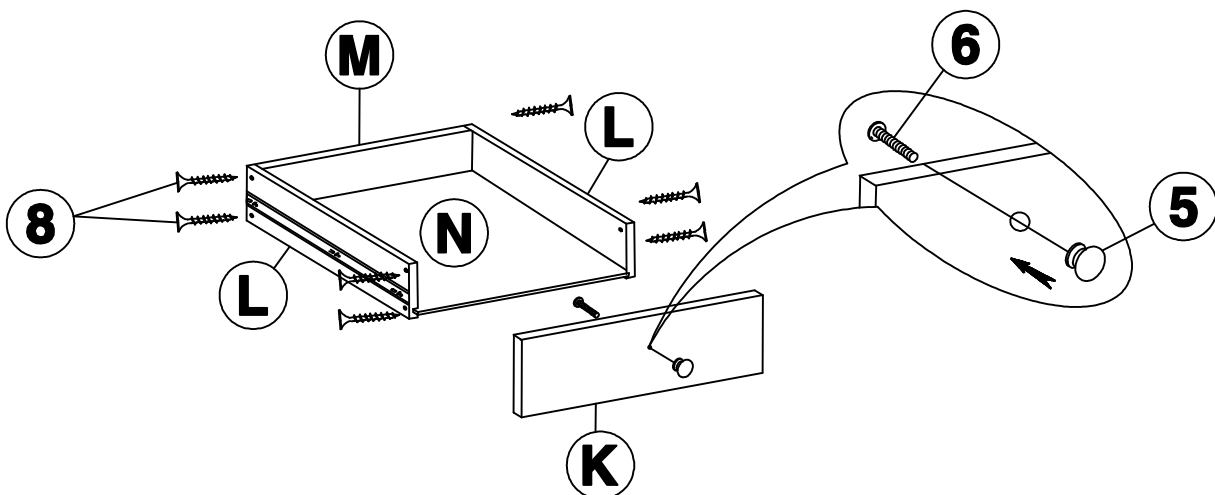
## STEP 7

Attach a drawer side (L) to drawer front (K) and drawer back (M) with screws (8). Tighten with the screw driver.

Insert drawer bottom (N) into the grooves at bottom of drawer side (L), drawer front (K) and drawer back (M).

Attach the other drawer side (L) to the drawer front (K), drawer back (M) with screws (8). Tighten with the screw driver.

Attach knob (5) to drawer front (K) with screw (6). Tighten with the screwdriver.



## STEP 8

Carefully insert the drawer (from Step 7) into the unit.

Stick the warning labels (12) into the drawer before use. Insert the brackets (10) into the unit and then place shelves (J) and (H) on the brackets.

Attach steel band (11) to the unit with screws (13). Then attach the steel band to a wall with screws (8) as shown below (to secure the product and prevent tipping).

