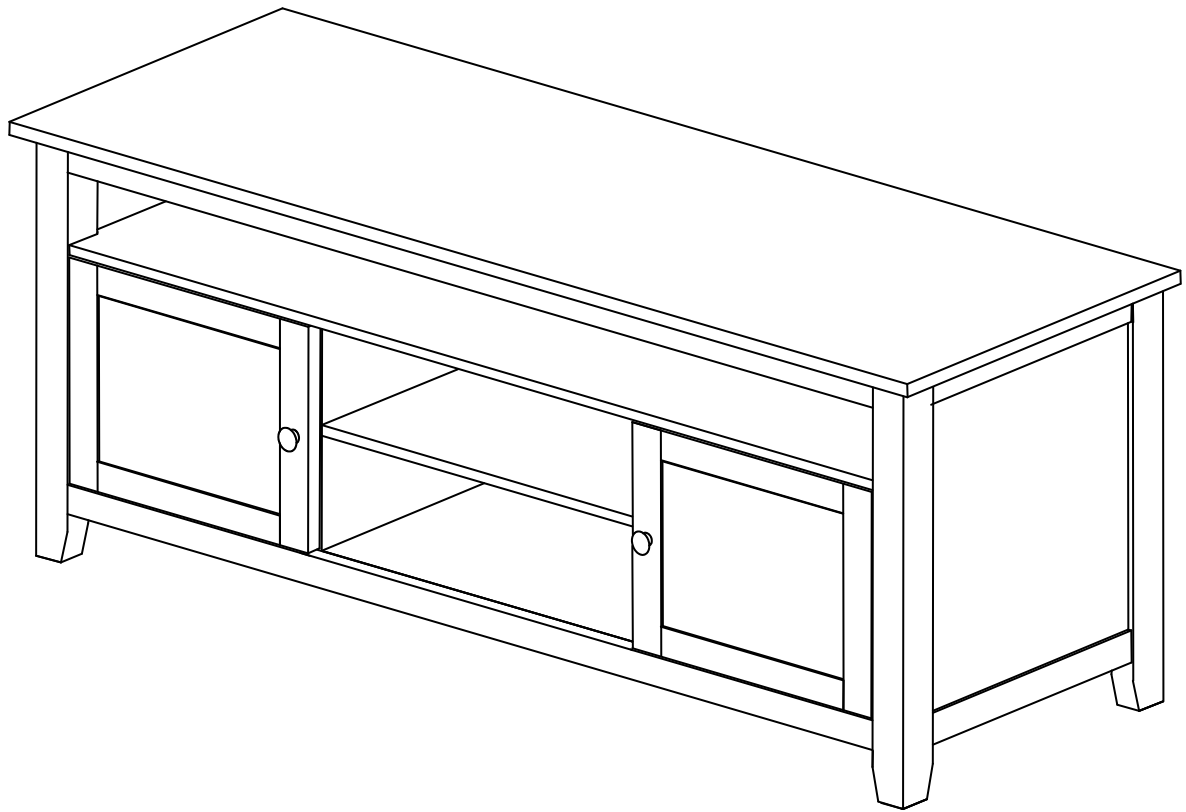


ASSEMBLY INSTRUCTIONS



Description : STURBRIDGE TV CENTER RTA
Item No. : TV-51

BEFORE ASSEMBLY

Thank you for purchasing this quality product. This product has been designed for easy assembly and constructed for durability. All parts were checked prior to packaging to insure quality. Prior to beginning assembly, however, make sure all parts and hardware are included and free of obvious defect. If a part is missing or defective, please contact the store where purchased. If hardware is missing, or you need help with assembly, please call toll free 888-944-8396.

IMPORTANT NOTE:

- Place all wooden parts on a clean and smooth surface such as a rug or carpet to avoid the parts from being scratched.
- Remove all wrapping material, including staples & packing straps before you start to assemble.
- DO NOT tighten all screws and bolts until completely assembled.
- Keep all hardware parts out of reach of children.

WARNING:

Long exposure to rubber or soft plastic may cause a chemical reaction and damage the finish of your product. Protect the surface of the product with cloth if you are using any product with rubber feet or base.

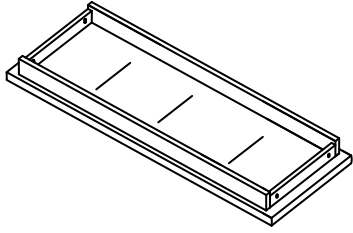
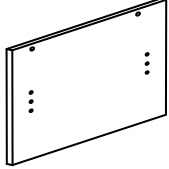
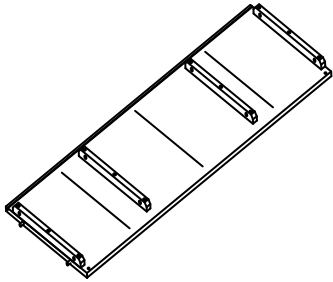
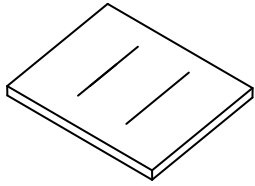
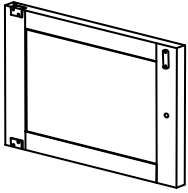
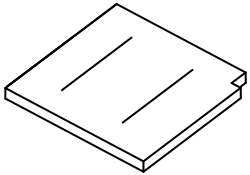
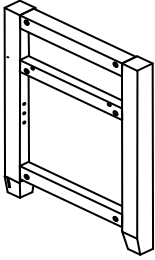
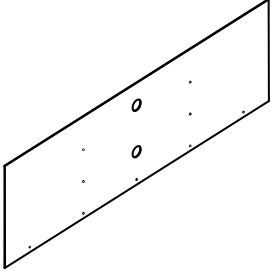
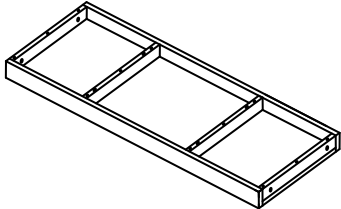
ASSEMBLY TOOLS REQUIRED

NOT INCLUDED




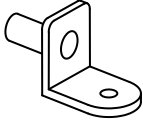

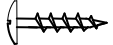

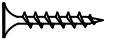

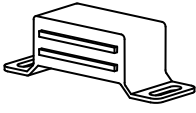

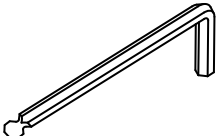
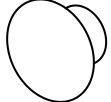
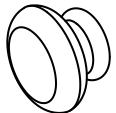
PART LIST

When unpacking, please be careful not to discard any parts with the packaging. Before continuing, please make sure you have the following parts:

NO	Description	Qty	Sketch	NO	Description	Qty	Sketch
A	Top	1		F	Vertical panel (L-R)	2	
B	Center panel	1		G	Center shelf	1	
C	Door (L-R)	2		H	Side shelf (L-R)	2	
D	Side panel (L-R)	2		I	Back panel	1	
E	Bottom panel	1					

HARDWARE LIST

When unpacking, please be careful not to discard any parts with the packaging. Before continuing, please make sure you have all of the following hardware:

NO	Description	Qty	Sketch	NO	Description	Qty	Sketch
1	Long bolt (M6 x 35mm)	20		7	Bracket	12	
2	Spring washer (Φ6.5 x 11mm)	16		8	Short pan head screw (M3 x 15mm)	9	
3	Flat Washer (Φ6.5 x 19mm)	16		9	Screw (M3 x 15mm)	16	
4	Door pin (Φ5.2/Φ13 x 1.2mm) (Φ7 x 10mm)	4		10	Magnet	2	
5	Long pan head screw *Metal knob: (M4x22mm) *Wooden knob: (M4x25mm)	2		11	Allen key (M4 x 30mm x 120mm)	1	
6	Wooden knob (Φ38 x 30mm)	2			METAL KNOB (Φ30 x 30mm) GOES WITH FINISHED ITEM ONLY.	2	

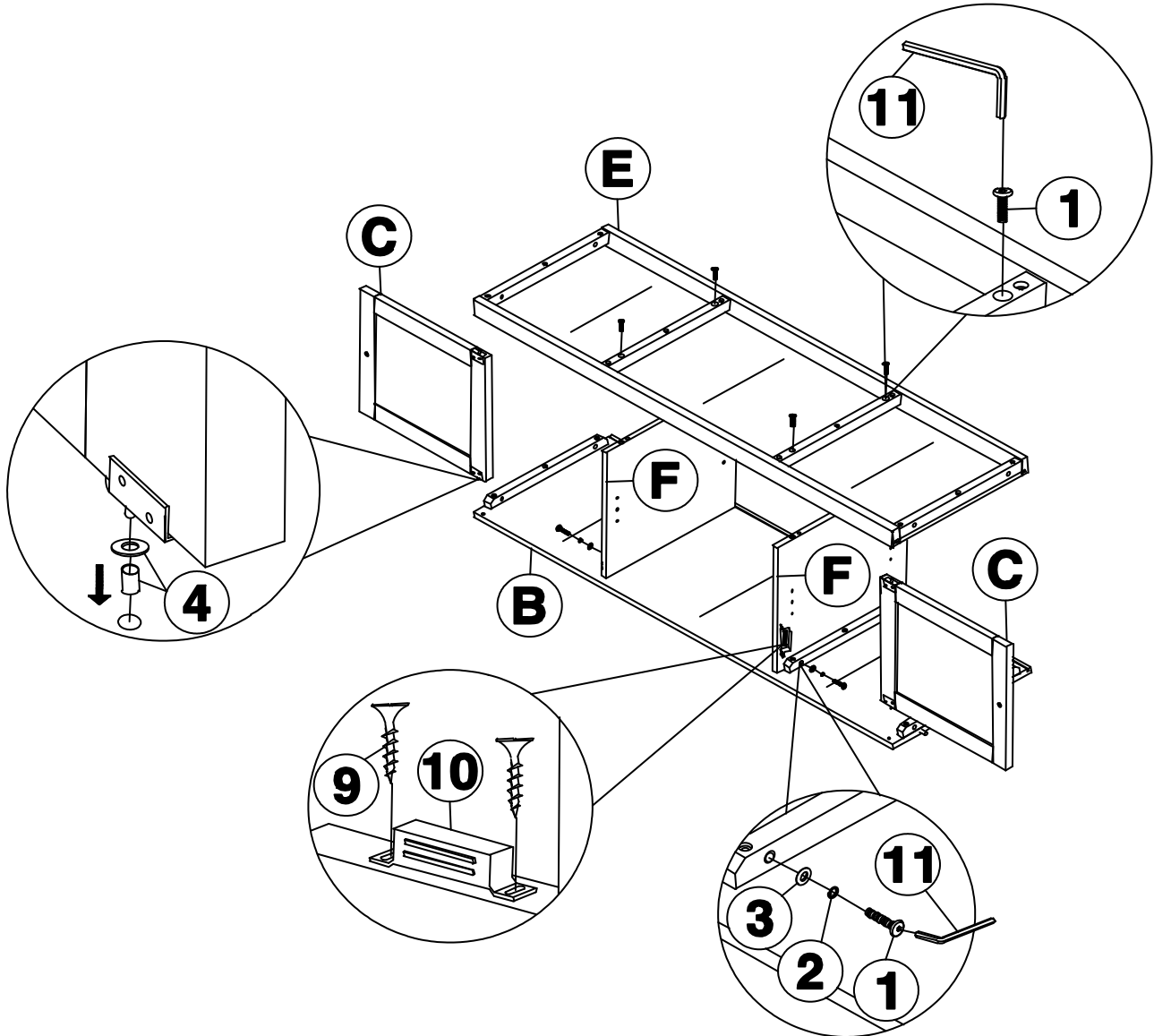
STEP 1

Attach vertical panels (F) to center panel (B) with bolts (1), and washers (2) and (3) as shown below. Tighten with Allen key (11).

Attach doors (C) to panels (B) and (E) with door pins (4).

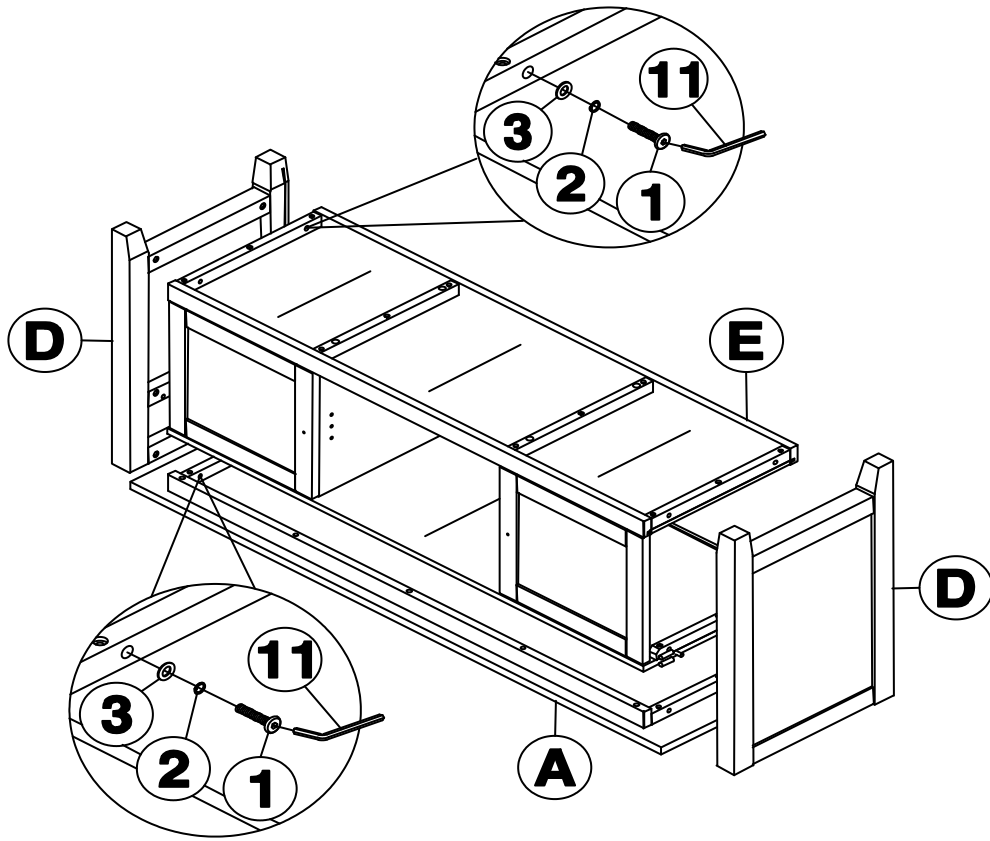
Attach vertical panels (F) to bottom panel (E) with bolts (1). Tighten with Allen key (11).

Attach magnets (10) to vertical panels (F) with screws (9) as shown below. Tighten with a screwdriver.



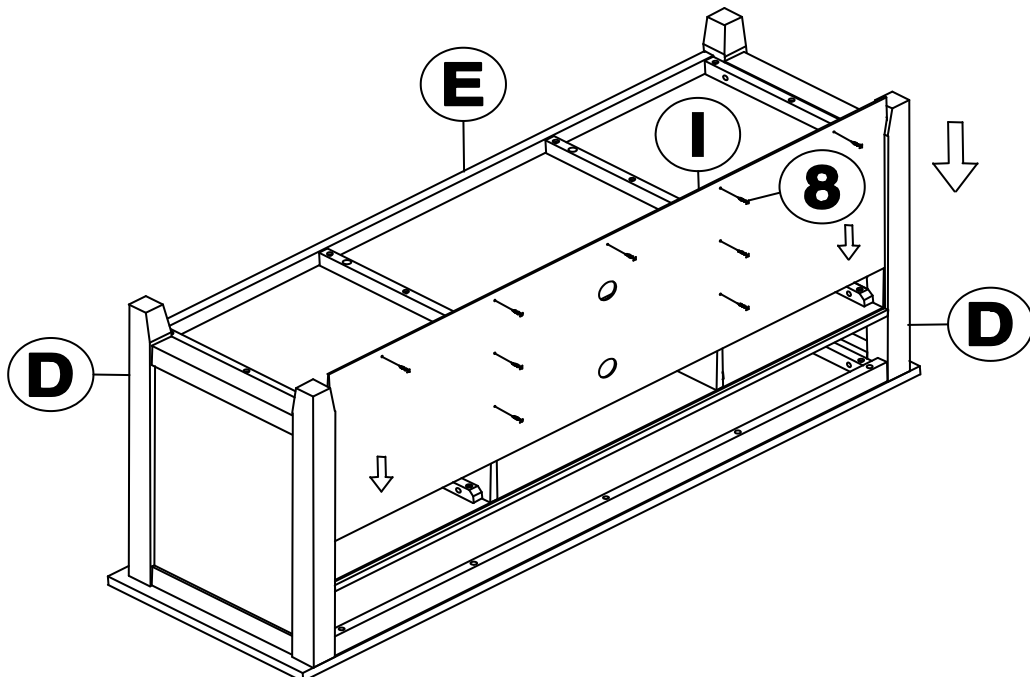
STEP 2

Attach side panels (D) to top (A) and bottom panel (E) with bolts (1), and washers (2) and (3) as shown below. Tighten with Allen key (11).



STEP 3

Slide back panel (I) into grooves of the side panels (D) and top (A) as shown below. Then attach back panel (I) to the unit with pan head screws (8) as shown below. Tighten with a screwdriver.



STEP 4

Attach brackets (7) to the unit as shown below. Then place the shelves (G) and (H) on the brackets and attach with screws (9). Tighten with a screwdriver.

Attach knobs (6) to doors (C) with pan head screws (5) as shown below. Tighten with a screwdriver.

