

# Addison Platform Beds

DUET finish

Assembly Instructions

Model #

**3816DUET**

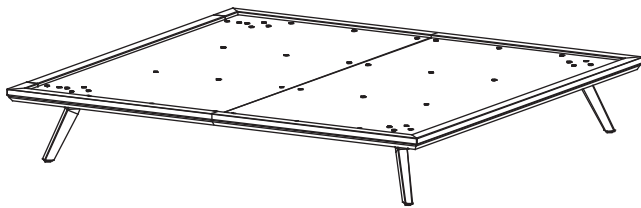
**Addison Queen Platform Bed**

**3818DUET**

**Addison King Platform Bed**

**3820DUET**

**Addison Cal-King Platform Bed**



*Thank you for allowing us to help you furnish your home. We are certain you will be delighted with your new furniture for many years to come.*

## IMPORTANT NOTES:

- For normal household use only. *Not* recommended for commercial use.
- Remove items before you move this unit.
- This assembly requires two people.



- This item has a total maximum combined weight limit of 850 lbs. inclusive of foundation and people.

## ! WARNING

Drilling, sawing, sanding or machining wood products can expose you to wood dust, a substance known to the state of California to cause cancer. Avoid inhaling wood dust or use a dust mask or other safeguards for personal protection.

For more information go to: [www.p65warnings.ca.gov/wood](http://www.p65warnings.ca.gov/wood)

This product can expose you to chemicals, including formaldehyde, which are known to the State of California to cause cancer. For more information go to: [www.p65warnings.ca.gov/furniture](http://www.p65warnings.ca.gov/furniture)

**DESIGN SUBJECT TO CHANGE WITHOUT NOTICE.**

## CUSTOMER SERVICE

If you ever have questions about your furniture, please do not hesitate to contact us. In the unlikely event you need a replacement part; we can make those parts available through an authorized Whittier Wood Furniture dealer. If you cannot order replacement parts through your dealer, please contact our customer service department.

**Hours:** Our friendly customer service staff can be reached:

**Monday-Friday 8:00 a.m. to 5:00 p.m. (Pacific Time).**

You may leave a message 24 hours a day, seven days a week.

**Customer Service:** 800-653-3336 • **Outside the U.S.:** 541-687-0213

**Fax:** 541-687-2060 • **Email:** [info@whittierwood.com](mailto:info@whittierwood.com)



P.O. Box 2827  
Eugene, OR 97402 USA

Production Code:

VN

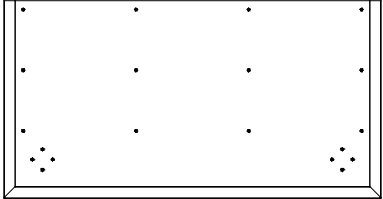
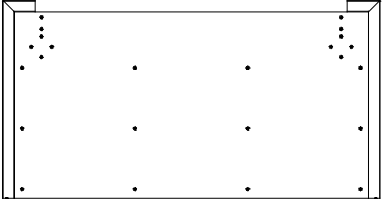
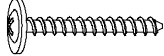
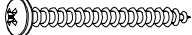
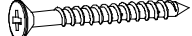


08/17

**3816DUET Addison Queen Platform Bed**  
**3818DUET Addison King Platform Bed**  
**3820DUET Addison Cal-King Platform Bed**  
*Parts List*

**Please note this Assembly Instruction is for all three beds. Please identify the bed part number when ordering parts.**


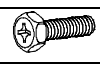
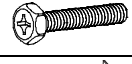
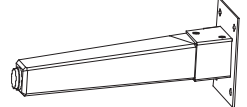
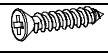

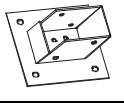
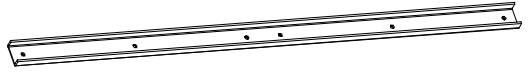
Please identify the parts and check that the quantities received match those on this list. If you need to replace a part, refer to the model number, part letter and name.

**3802DUET Addison Queen Platform Kit (x1)**  
**3806DUET Addison King Platform Kit (x1)**  
**3809DUET Addison Cal-King Platform Kit (x1)**


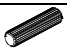
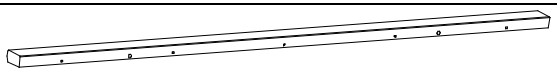
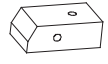
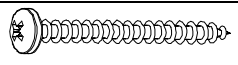
Part	Description	Quantity
J	End Platform Assembly 	1
K	Headboard Platform Assembly 	1
L	#8 x 1-1/8" Lo-Profile Screw (inserted) 	12
M	#8 x 1-3/4" Pan Head Screw (inserted) 	12
N	#8 x 1-5/8" Black Screw (inserted) 	33
O	1/4" T-Nut (inserted) 	44
P	Wood Dowel (inserted) 	2

**3816DUET Addison Queen Platform Bed**  
**3818DUET Addison King Platform Bed**  
**3820DUET Addison Cal-King Platform Bed**  
*Parts List*

**3803DUET**  
**Addison Queen/King/Cal-King Platform Connector Kit (x1)**

Part	Description		Quantity
B	18mm Flat Washer		40
D	1/4" x 22mm Hex Bolt		24
E	1/4" x 35mm Hex Bolt		16
Q	Foot Assembly		4
R	#6 x 3/4" Brass Flat Head Screw (Inserted)		24
S	Wool Felt Pad/Glide (Attached)		4
T	Metal Foot Bracket (Attached)		4
U	1500mm Channel		4

**3817DUET Addison Queen Platform Filler Strip (x1)**  
**3819DUET Addison King Platform Filler Strip (x1)**  
**3821DUET Addison Cal-King Platform Filler Strip (x1)**

Part	Description		Quantity
N	#8 x 1-5/8" Black Screw		7
P	Wood Dowel		2
V	Filler Strip		1
W	Cleat		2
X	#10 x 2" Pan Head Screw		2

**3816DUET Addison Queen Platform Bed**  
**3818DUET Addison King Platform Bed**  
**3820DUET Addison Cal-King Platform Bed**

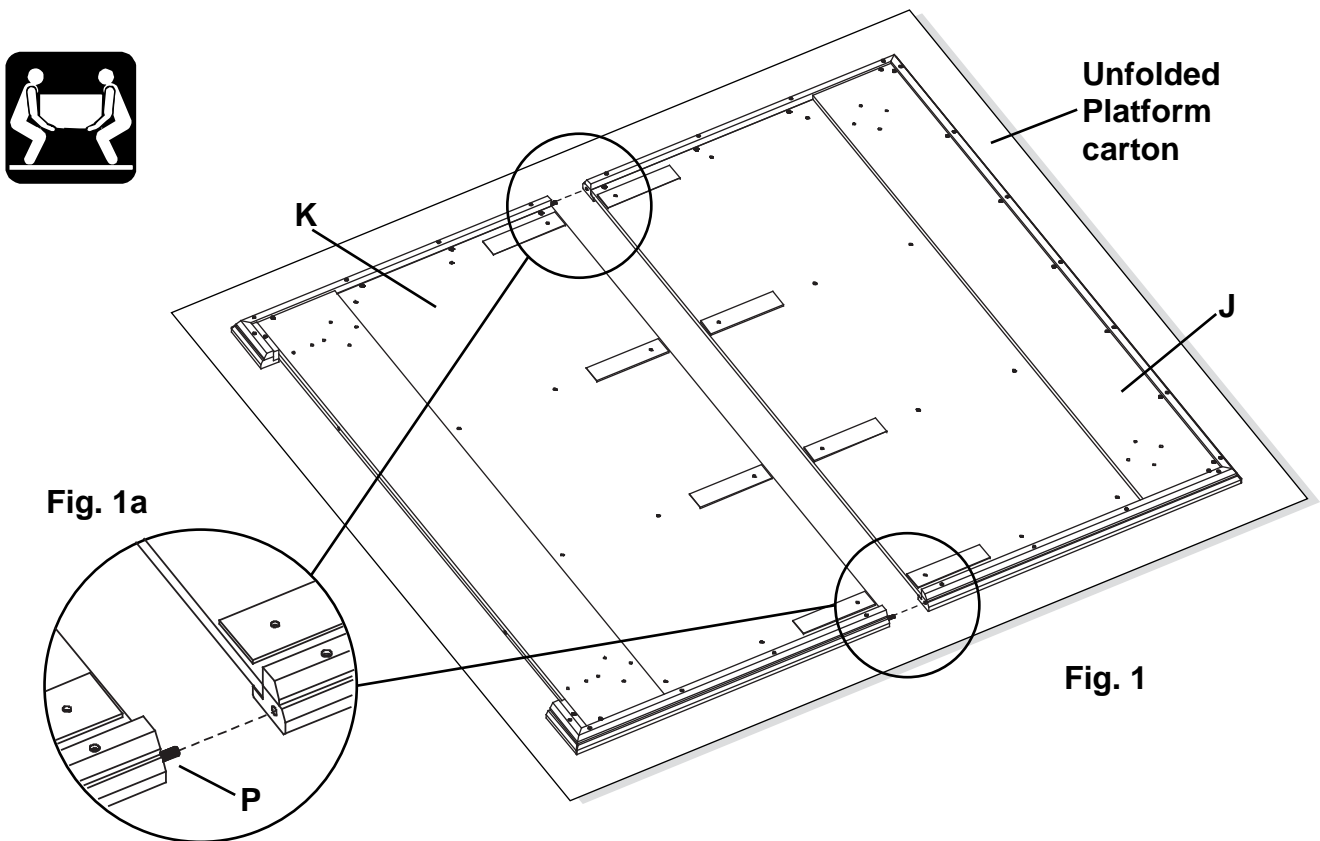
*Assembly Instructions*

This assembly requires two people.

**Tools Required:** Phillips screwdriver, 7/16" open end or box end wrench and rubber mallet.

**NOTE:** Remove this instruction from the Filler Strip Kit carton. Place Filler Strip and hardware kits to the side to allow space for assembling the platform portion of the bed. Open the #3803 Platform Connector Kit, which attaches the two Platforms together.

1. Open and unfold the Platform Kit carton in the approximate location where the bed will be placed. This will help protect the flooring and the faces of the platform components. Place the Headboard Platform Assembly (K) face down in the approximate location where the headboard will be located with the inside edge facing the End Platform Assembly (J). Align the Dowels (P) in the edge of the Headboard Platform Assembly (K) with the holes in the edge of the End Platform Assembly (J) see Figures 1 and 1a.





**3816DUET Addison Queen Platform Bed**  
**3818DUET Addison King Platform Bed**  
**3820DUET Addison Cal-King Platform Bed**  
*Assembly Instructions*

This assembly requires two people.

2. Slide the two sections together so that the flat edges touch as shown in Figure 2. Using the hardware from the #3803 Connector Kit, place the 1500mm Channels (U) on the Platform and align over the predrilled holes in the platform. Attach the Channels (U) with 1/4" X 22mm Hex Bolts (D) and 18mm Flat Washers (B). See Figures 2 and 2a.



Hardware bag step 2

B		x 24
D		x 24

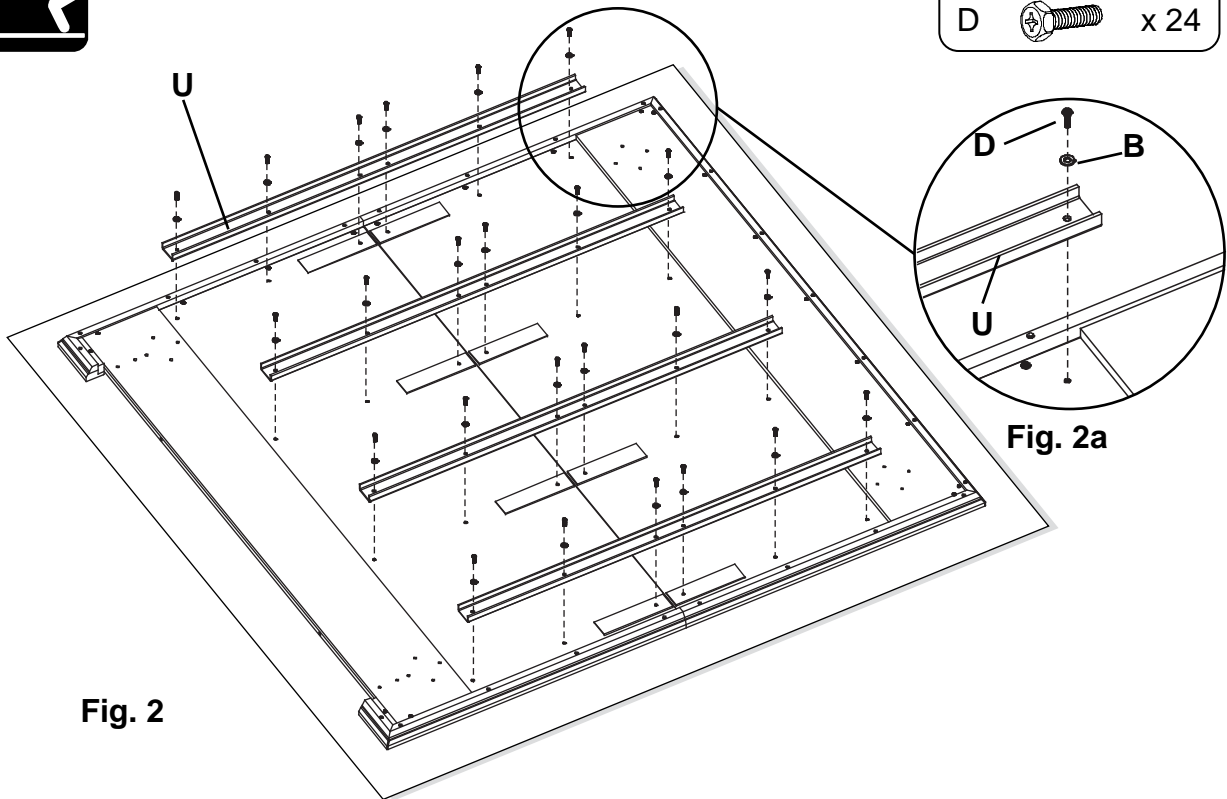


Fig. 2

Fig. 2a

**3816DUET Addison Queen Platform Bed**  
**3818DUET Addison King Platform Bed**  
**3820DUET Addison Cal-King Platform Bed**

*Assembly Instructions*

This assembly requires two people.

3. Place the Foot Assemblies (Q) onto the Platform Assembly so that the holes in the metal brackets align over the predrilled holes. The legs should angle outward toward the corner of the platform. Attach the Foot Assemblies (Q) with 1/4" X 35mm Hex Bolts (E) and 18mm Flat washers (B). See Figures 3 and 3a.

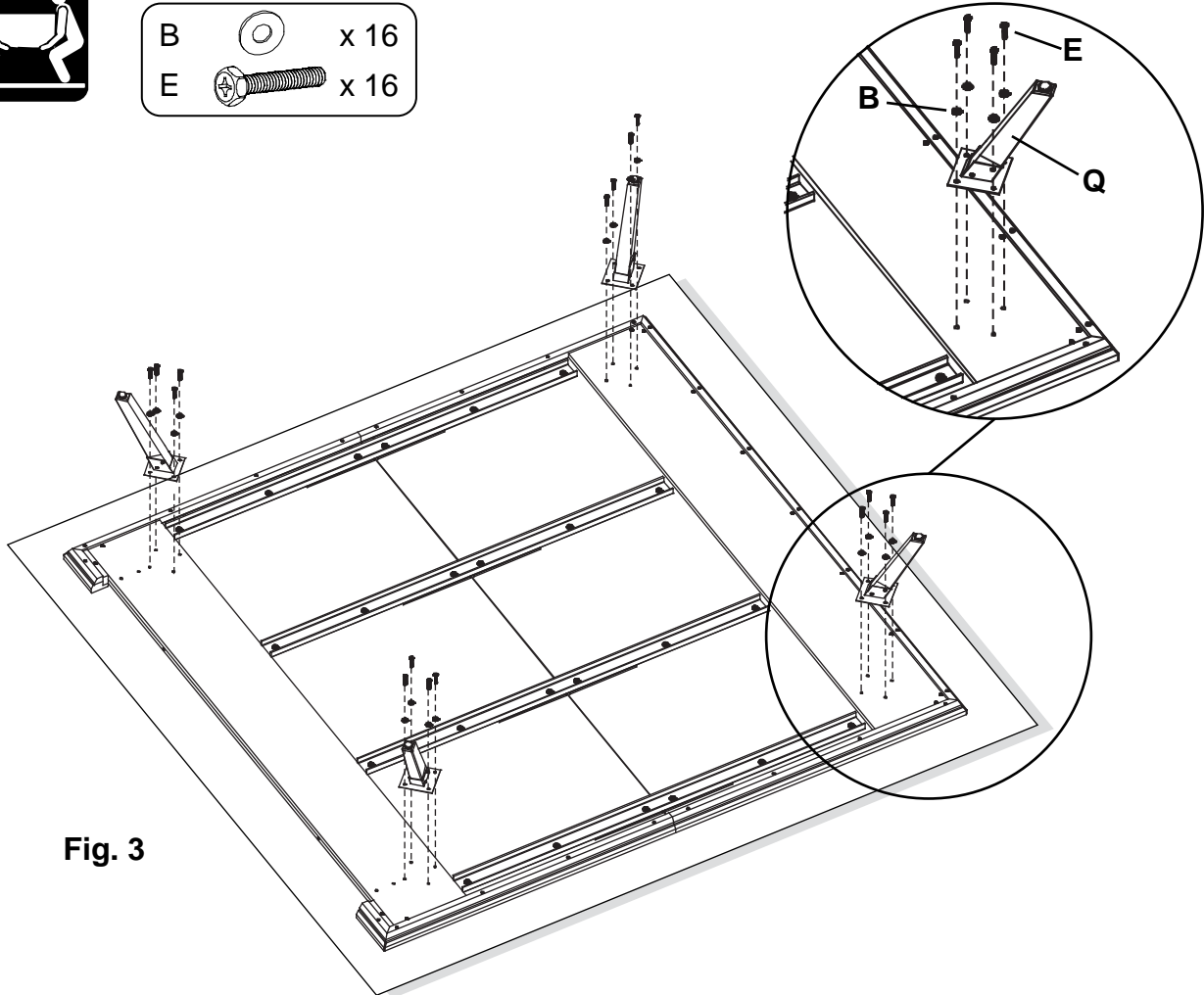


Hardware bag step 3

B x 16

E x 16

**Fig. 3a**



**Fig. 3**

**3816DUET Addison Queen Platform Bed**  
**3818DUET Addison King Platform Bed**  
**3820DUET Addison Cal-King Platform Bed**  
*Assembly Instructions*

This assembly requires two people.

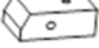
4. Place two Wooden Dowels (P) into the Filler Strip (V). Gently hammer in the dowels so that they are entirely seated in the wood. Insert the dowels of the Filler Strip assembly (V) into the dowel holes of the Headboard Platform Assembly (K). See Figures 4, 4a and 4b.

Hardware bag step 4, 5, 6

P  x 2

N  x 7

X  x 2

W  x 2

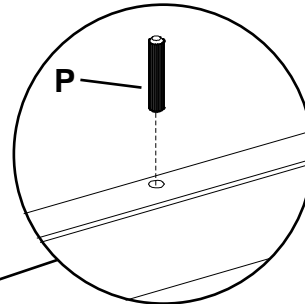


Fig. 4a

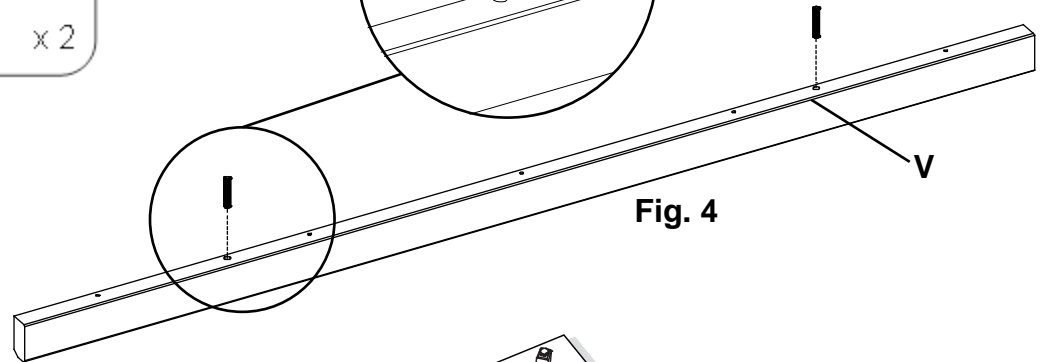


Fig. 4

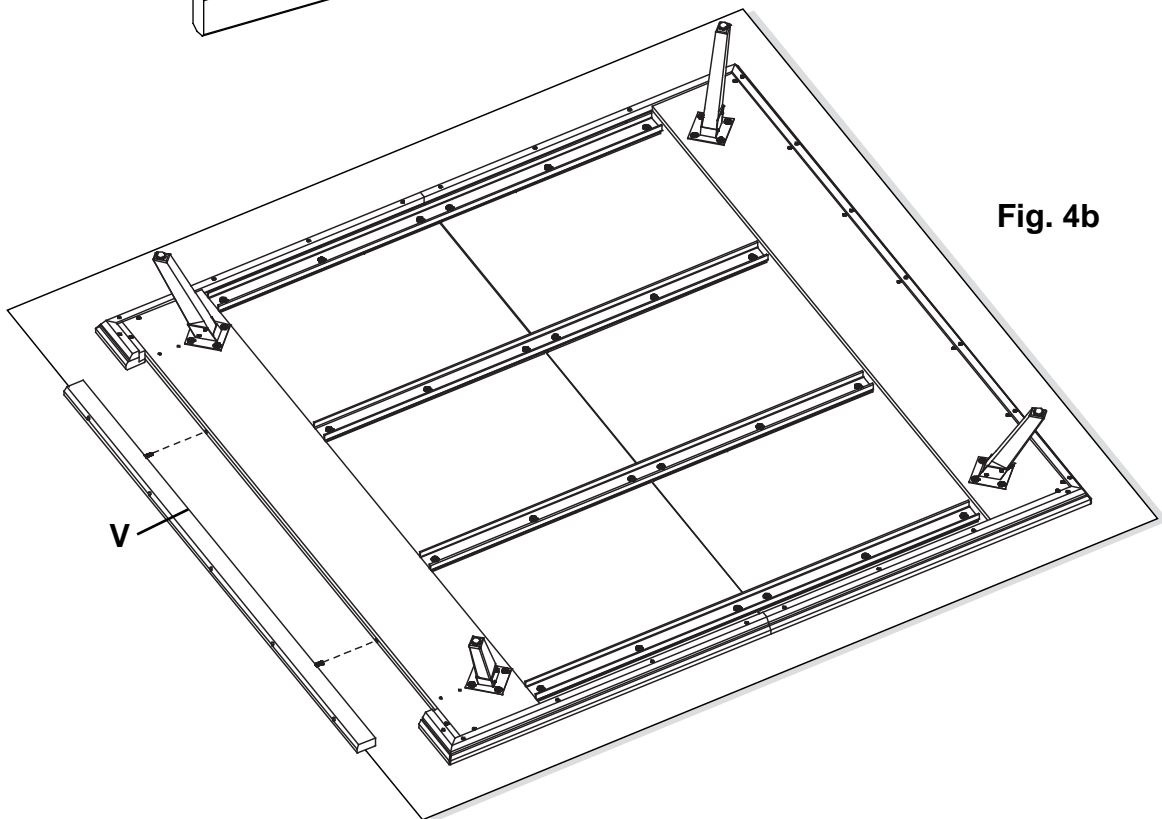
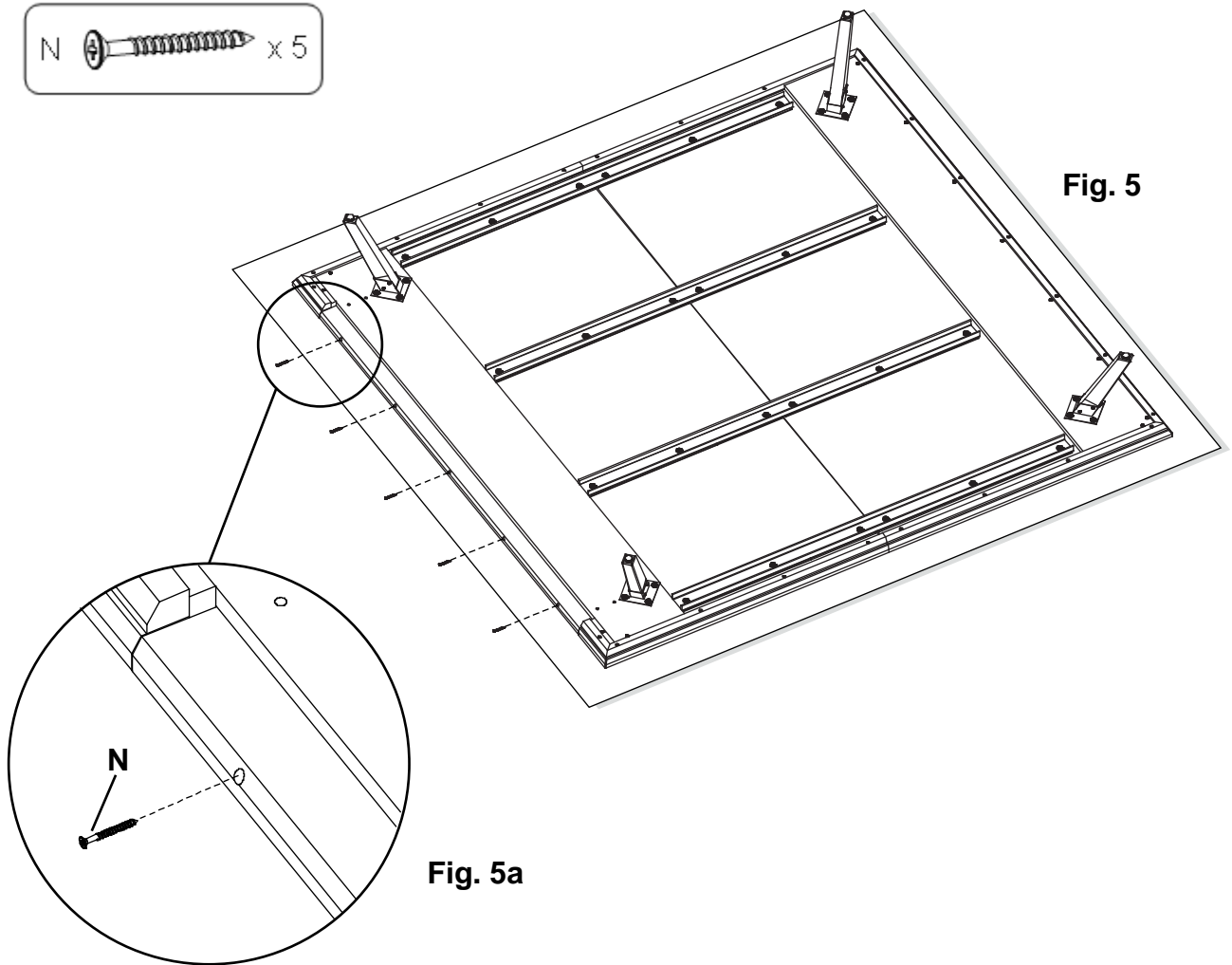
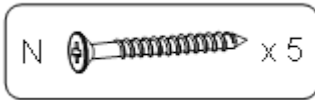


Fig. 4b

**3816DUET Addison Queen Platform Bed**  
**3818DUET Addison King Platform Bed**  
**3820DUET Addison Cal-King Platform Bed**  
*Assembly Instructions*

This assembly requires two people.

5. Attach the Filler Strip (V) to the Headboard Platform Assembly with five 1-5/8" Black Screws (N) screwed into the pre-drilled holes. See Figures 5 and 5a.



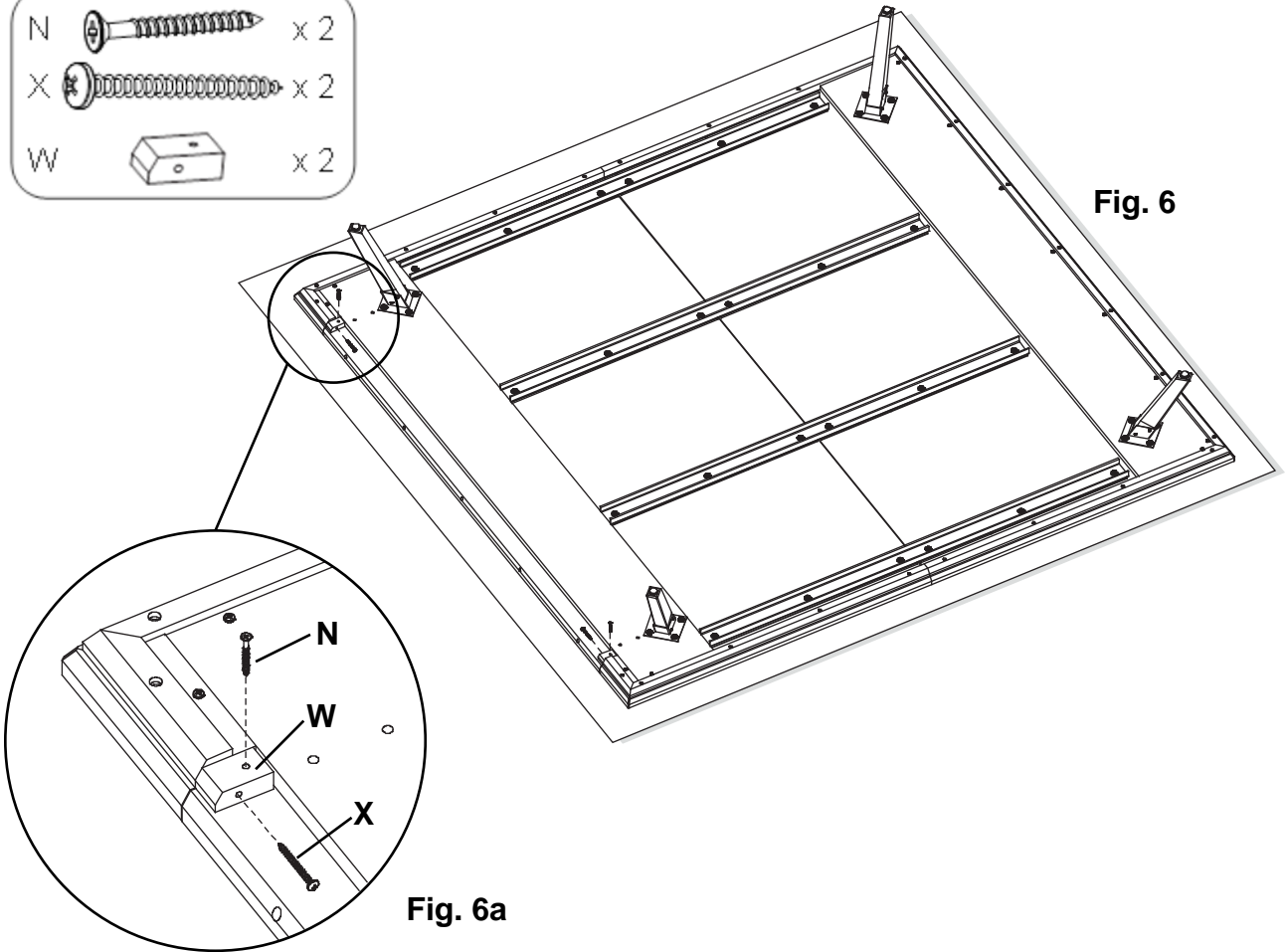
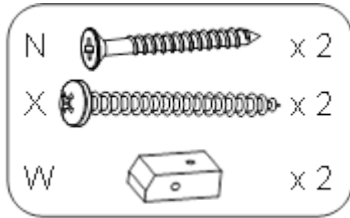


**3816DUET Addison Queen Platform Bed**  
**3818DUET Addison King Platform Bed**  
**3820DUET Addison Cal-King Platform Bed**

*Assembly Instructions*

This assembly requires two people.

6. Place the Cleat (W) onto the filler strip assembly, aligning with the pre-drilled holes. Secure each cleat with one 1-5/8" Black Screw (N) placed into the top of the cleat and one 2" Pan Head Screw (X) screwed into the pre-drilled hole on the side of each cleat. See Figures 6 and 6a.




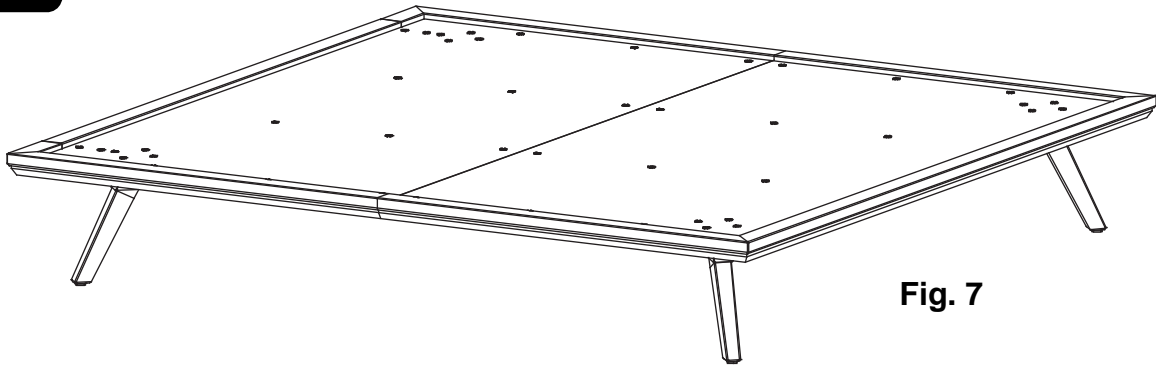
**3816DUET Addison Queen Platform Bed**  
**3818DUET Addison King Platform Bed**  
**3820DUET Addison Cal-King Platform Bed**

*Assembly Instructions*

This assembly requires two people.

---

7.  **CAUTION NEEDED:** Flip the Platform Assembly over onto the feet. Use extreme care not to bump into light fixtures, ceiling fans, walls, ceiling, or other objects in the room. Protect the corners of the Platform. Do not apply force to the Foot Assemblies (Q). Carefully slide the Platform carton out from beneath the Platform Assembly and recycle or discard. See Figure 7.



**Fig. 7**