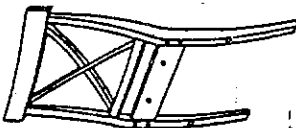


TOLL FREE : 1 888 944 8396

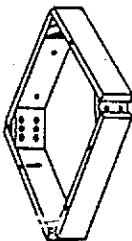
LIST OF PARTS

A- Chair back



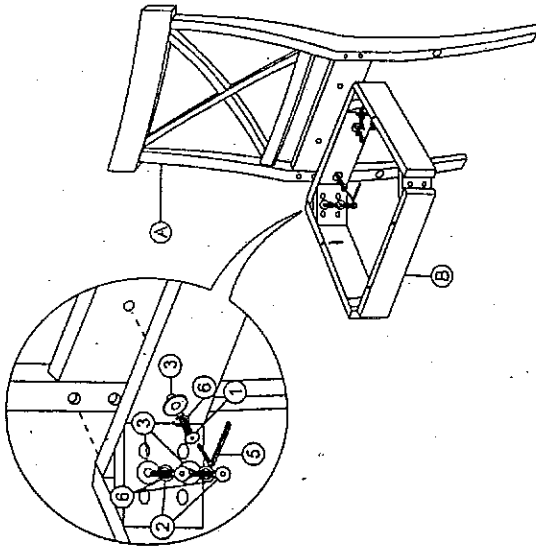
1 PC

B- Seat Framer

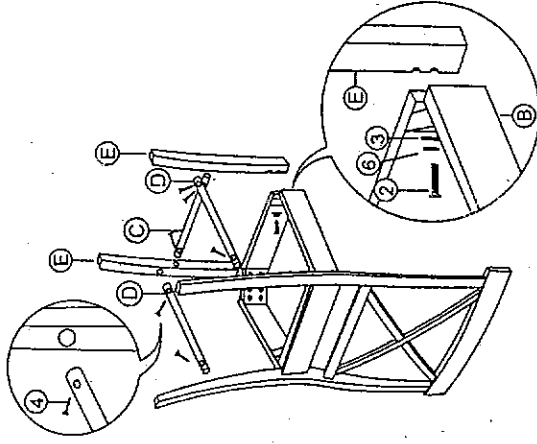


1 PC

Step. 1



Step. 2

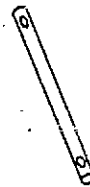


C- Front stretcher



1 PC

D- Side stretcher



2 PCS

E- Front leg (L-R)



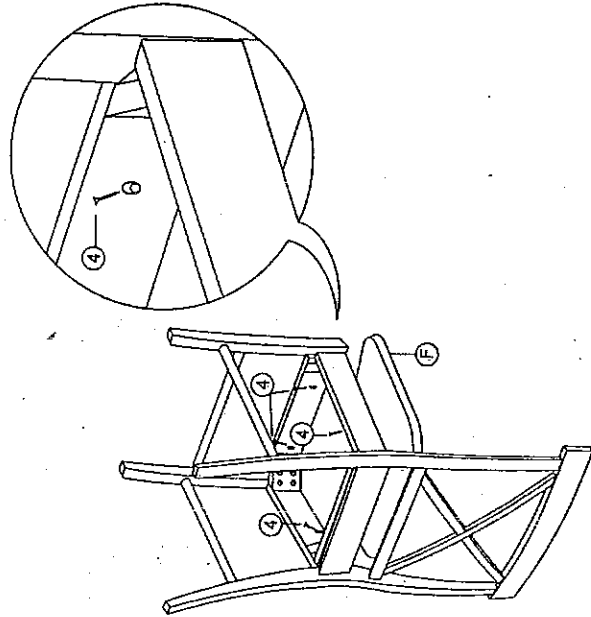
2 PCS

F- Chair seat

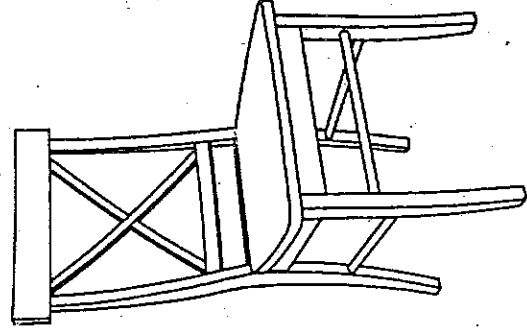


1 PC







Step. 3



Step. 4



LIST OF HARDWARE

1- Short JCBC bolt  φ 6x40mm (2 PCS)	2- Long JCBC bolt  φ 6x70mm (8 PCS)	3- Flat Washer  φ 6.5/φ 19 (10 PCS)
4- Screw  φ 4x35mm (10 PCS)	5- Allen key  4 mm (1 PC)	6- Lock Washer  φ 6.5/φ 11(10 PCS)