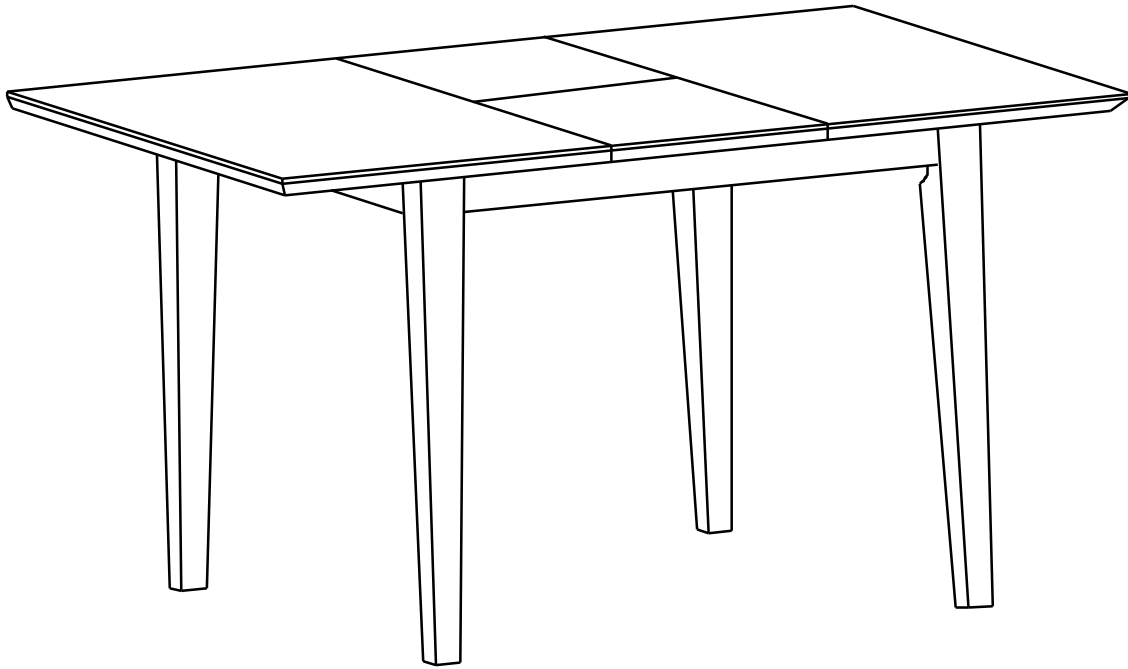


# ASSEMBLY INSTRUCTIONS

---



---

Description : BUTTERFLY LEAF EXTENSION  
TABLE WITH SHAKER LEG  
Item No. : T-3660XBS

## BEFORE ASSEMBLY

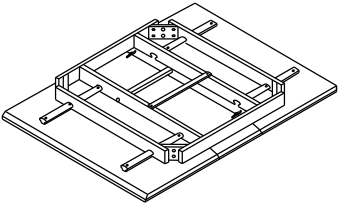
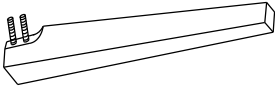
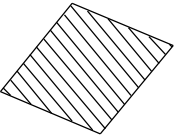
Thank you for purchasing this quality product. This product has been designed for easy assembly and constructed for durability. All parts were checked prior to packaging to insure quality. Prior to beginning assembly, however, make sure all parts and hardware are included and free of obvious defect. If a part is missing or defective, please contact the store where purchased. If hardware is missing, or you need help with assembly, please call toll free 888-944-8396.

**IMPORTANT NOTE:**

- Place all wooden parts on a clean and smooth surface such as a rug or carpet to avoid the parts from being scratched.
- Remove all wrapping material, including staples & packing straps before you start to assemble.
- DO NOT tighten all screws and bolts until completely assembled.
- Keep all hardware parts out of reach of children.

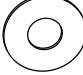

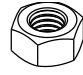





## PART LIST

When unpacking, please be careful not to discard any parts with the packaging. Before continuing, please make sure you have the following parts:

NO	Description	Qty	Sketch	NO	Description	Qty	Sketch
A	Top	1		B	Leg	4	
C	Plywood gauge	1					

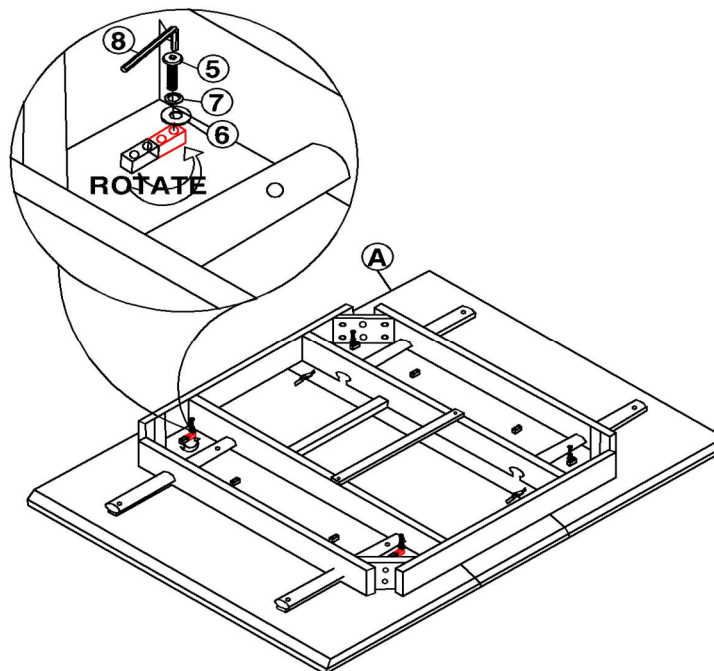
# HARDWARE LIST

When unpacking, please be careful not to discard any parts with the packaging. Before continuing, please make sure you have all of the following hardware:

NO	Description	Qty	Sketch	NO	Description	Qty	Sketch
1	Flat washer ( $\phi 8.5 \times 19\text{mm}$ )	8		2	Lock washer ( $\phi 8.5 \times 13\text{mm}$ )	8	
3	Hexagon nut (M8x13mm)	8		4	Wrench (M13mm)	1	
5	Short bolt (M6 x35mm)	4		6	Flat washer ( $\phi 6.5 \times 16\text{mm}$ )	4	
7	Lock washer ( $\phi 6.5 \times 11\text{mm}$ )	4		8	Allen Key (4x80mm)	1	

## STEP 1

Twist the wood stopper, and attach to the Top (A) with bolts (5) and washers (6), and (7) as shown below. Tighten with the Allen key (8).

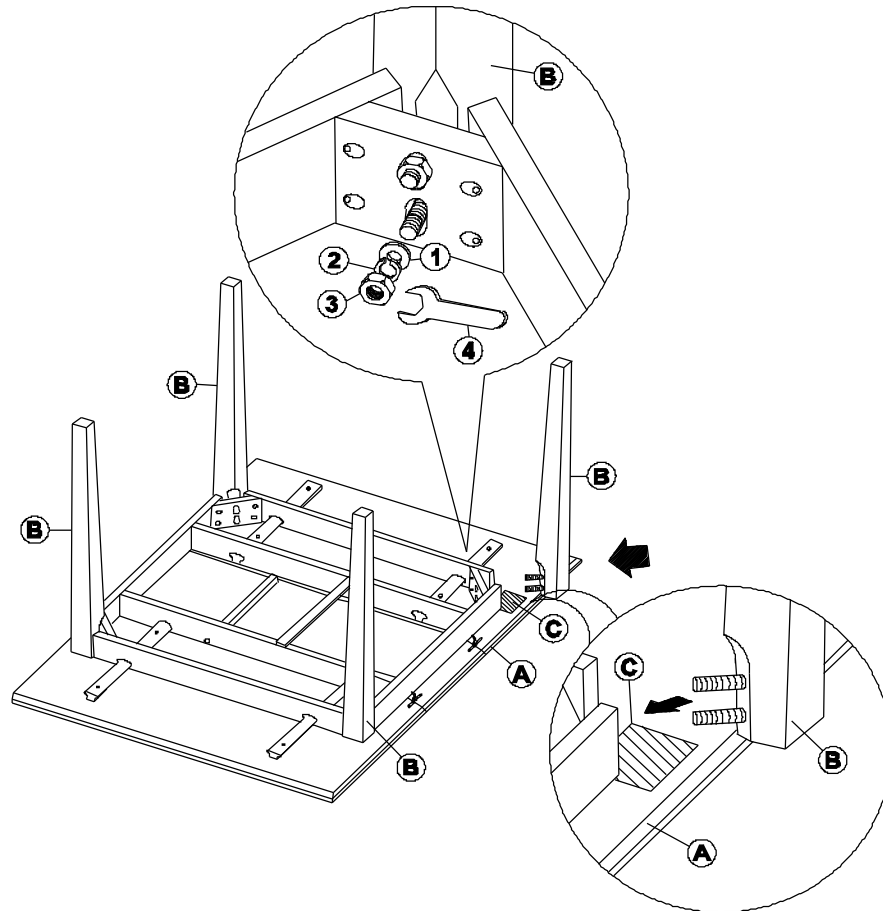


## STEP 2

Place the plywood gauge (C) on the top (A) as shown below.

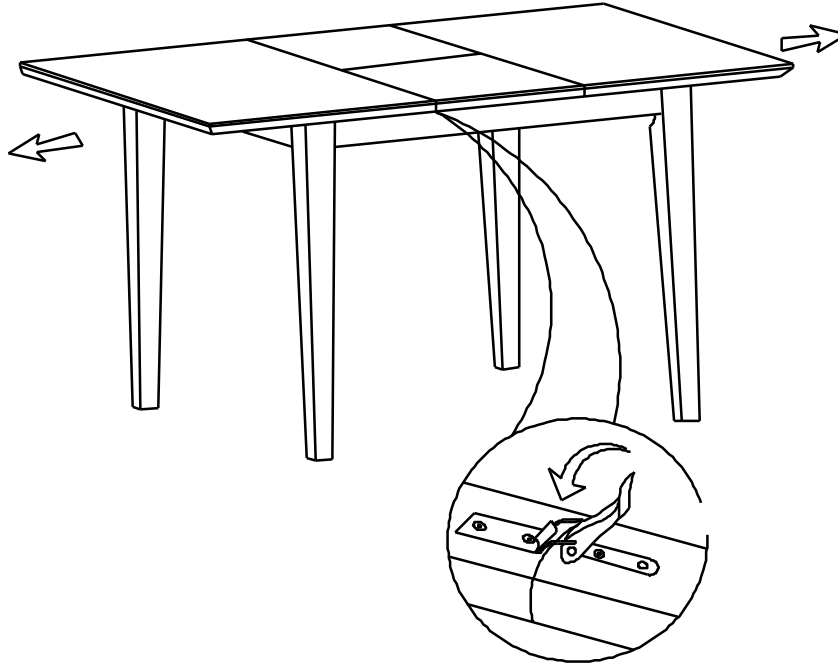
Attach legs (B) to the top (A) with washers (1) and (2), and nuts (3). Tighten with the wrench (4).

**Note: THE PLYWOOD GAUGE (C) HAS TO BE REMOVED AFTER EACH LEG IS SECURELY TIGHTENED. USE THE GAUGE TO ATTACH EACH AND EVERY LEG.**



### STEP 3

Place the table in an upright position, unlock the table top from both sides underneath of the top as shown below. Pull the 2 sides apart.



### STEP 4

Fold the center leaf to store it underneath the table top, or leave it open as you choose. Lock the top as shown below.

