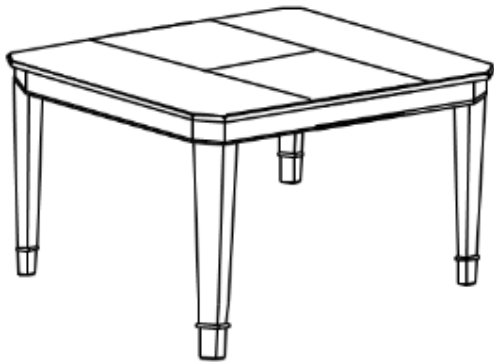
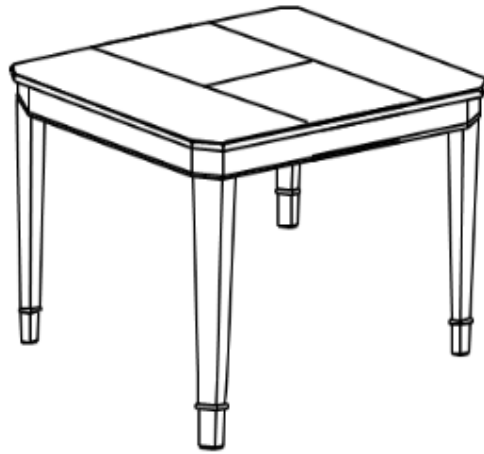


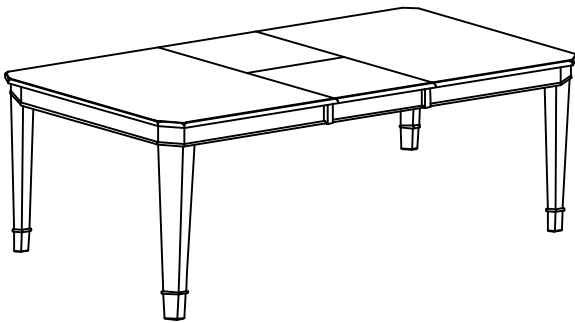
ASSEMBLY INSTRUCTIONS



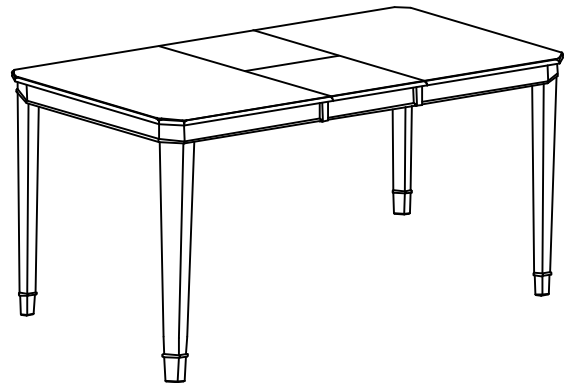
T-4040XBT/T-60B



T-4040XBT/T-60G



T-6040XBT/T-60B



T-6040XBT/T-60G

Description : TABLE

Item No. : T-4040XBT OR T-6040XBT & T-60B OR T-60G
(PACKED IN SEPARATE BOX)

ITEM : T-4040XBT OR T-6040XBT & T-60B OR T-60G
(PACKED IN SEPARATE BOX)

Printed in Vietnam

REVISED SEP 19, 2014

THE HARDWARE REQUIRED TO ATTACH THE LEGS IS PACKED WITH THE LEGS

BEFORE ASSEMBLY

Thank you for purchasing this quality product. This product has been designed for easy assembly and constructed for durability. All parts were checked prior to packaging to insure quality. Prior to beginning assembly, however, make sure all parts and hardware are included and free of obvious defect. If a part is missing or defective, please contact the store where purchased. If hardware is missing, or you need help with assembly, please call toll free 888-944-8396.

IMPORTANT NOTE:

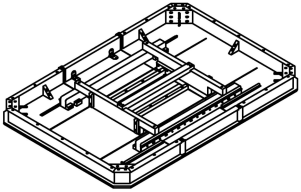
- Place all wooden parts on a clean and smooth surface such as a rug or carpet to avoid the parts from being scratched.
- Remove all wrapping material, including staples & packing straps before you start to assemble.
- DO NOT tighten all screws and bolts until completely assembled.
- Keep all hardware parts out of reach of children.

WARNING:

Long exposure to rubber or soft plastic may cause a chemical reaction and damage the finish of your table. Protect the surface of the table with cloth if you are using any product with rubber feet or base.


PART LIST T-4040XBT OR T-6040XBT

When unpacking, please be careful not to discard any parts with the packaging. Before continuing, please make sure you have the following parts:

NO	Description	Qty	Sketch	NO	Description	Qty	Sketch
A	TABLE TOP	1					

PART LIST T-60B OR T-60G

When unpacking, please be careful not to discard any parts with the packaging. Before continuing, please make sure you have the following parts:

NO	Description	Qty	Sketch	NO	Description	Qty	Sketch
B	LEG	4					

ITEM : T-4040XBT OR T-6040XBT & T-60B OR T-60G
(PACKED IN SEPARATE BOX)



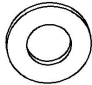

Printed in Vietnam

REVISED SEP 19, 2014

THE HARDWARE REQUIRED TO ATTACH THE LEGS IS PACKED WITH THE LEGS

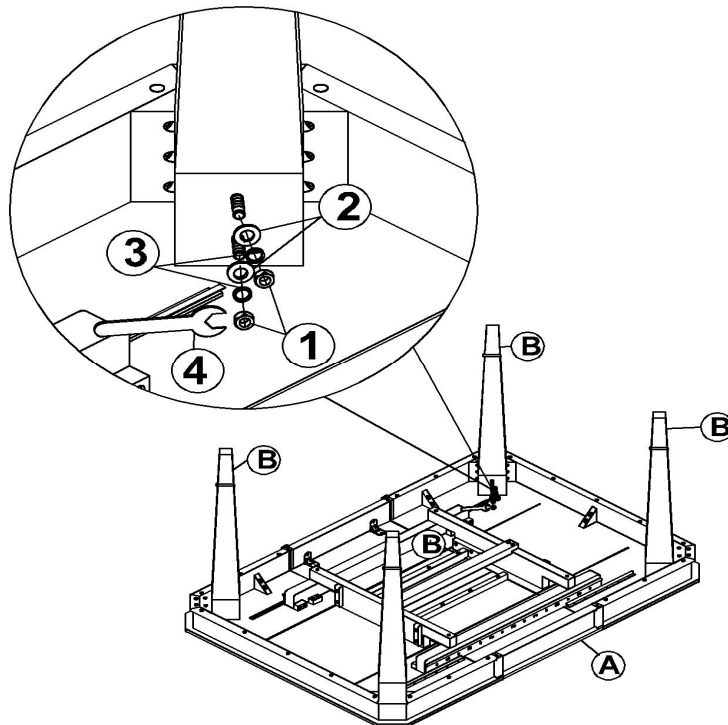
HARDWARE LIST

When unpacking, please be careful not to discard any parts with the packaging. Before continuing, please make sure you have all of the following hardware:

NO	Description	Qty	Sketch	NO	Description	Qty	Sketch
1	Hexagon nut (M8x13mm)	8		3	Lock washer (Φ8.5x13mm)	8	
2	Flat washer (Φ8.5x19mm)	8		4	Wrench (13mm)	1	

STEP 1

Attach the legs (B) to the top (A) with washers (2), (3), and nuts (1) as shown below. Tighten with the wrench (4).



ITEM : T-4040XBT OR T-6040XBT & T-60B OR T-60G
(PACKED IN SEPARATE BOX)

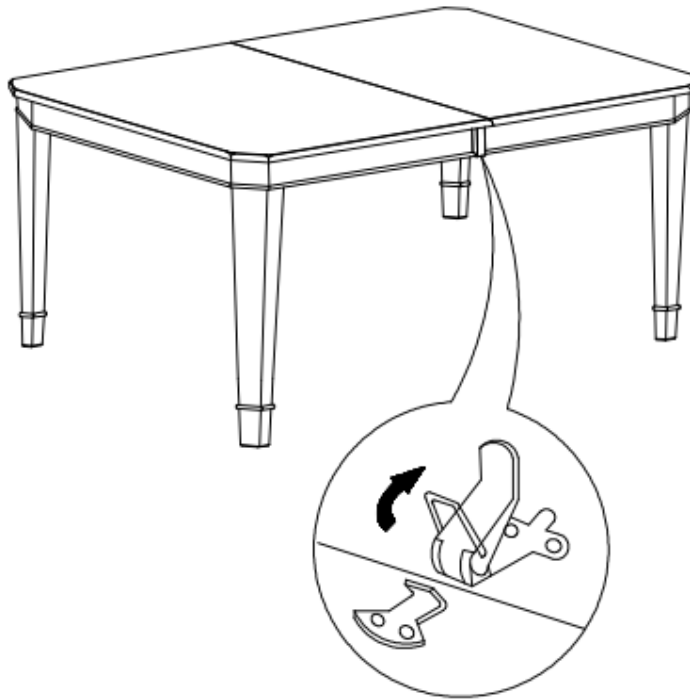
Printed in Vietnam

REVISED SEP 19, 2014

THE HARDWARE REQUIRED TO ATTACH THE LEGS IS PACKED WITH THE LEGS

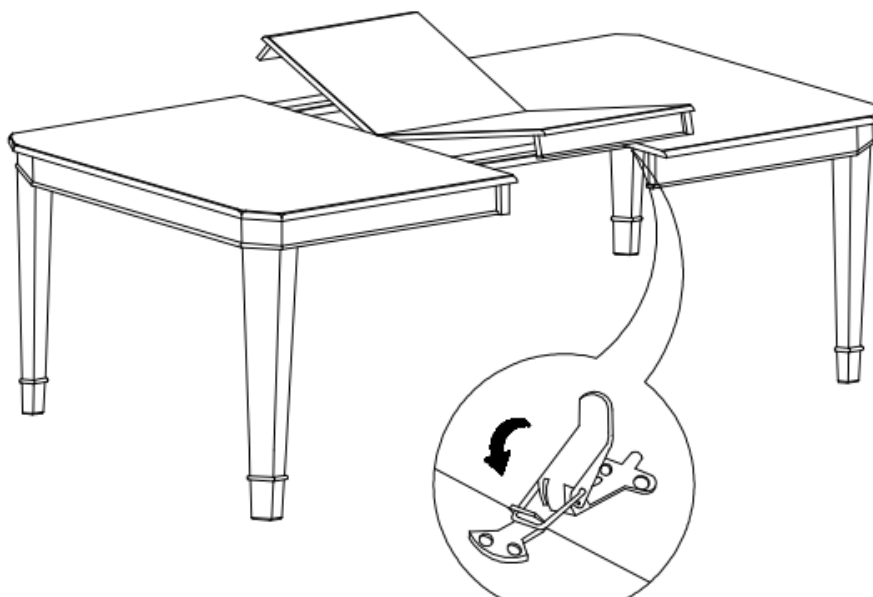
STEP 2

Unlock the table top from both sides underneath of the top as shown below.
Pull the 2 parts of the table top apart.



STEP 3

Lift and open the butterfly leaf in the center of the open table top. Push the table top closed.
Lock the mechanism underneath the table top as shown below.



ITEM : T-4040XBT OR T-6040XBT & T-60B OR T-60G
(PACKED IN SEPARATE BOX)

REVISED SEP 19, 2014

Printed in Vietnam

THE HARDWARE REQUIRED TO ATTACH THE LEGS IS PACKED WITH THE LEGS