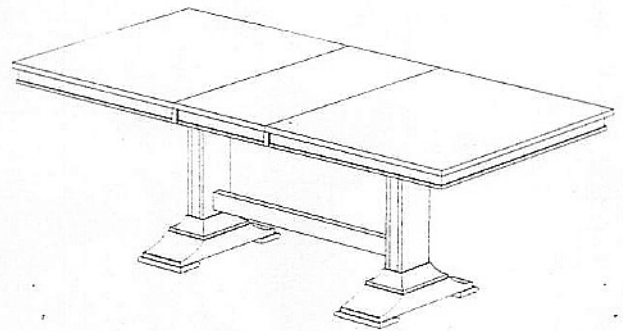


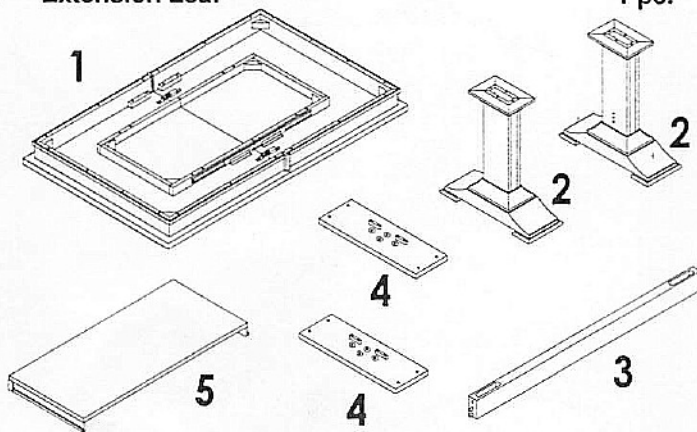


• Thank you for purchasing Whitewood Industries Inc. product. This product has been designed for easy assembly and constructed for durability. Please take the time to read and follow the assembly instructions. If a part or hardware is missing or have any difficulties in assembling this product, Please contact Toll Free 1-888-944-8396.



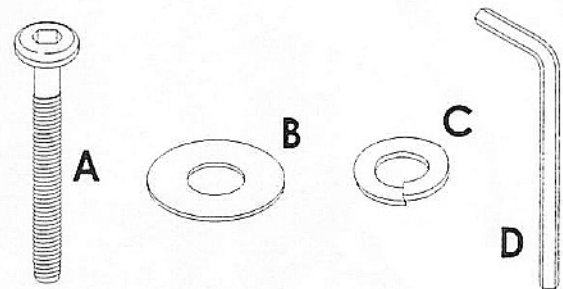
PARTS LIST:

1	Table Top Assembly	1 pc.
2	Table Leg Assembly	2 pcs.
3	Center Rail	1 pc.
4	Mounting Plate	2 pcs.
5	Extension Leaf	1 pc.



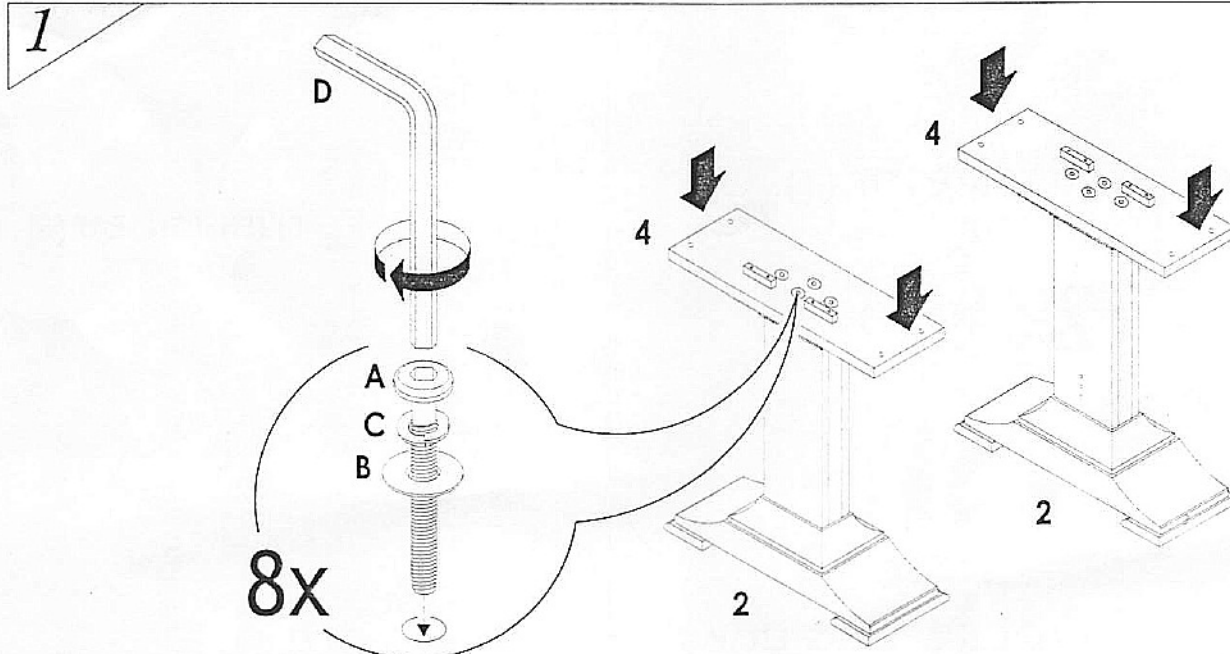
HARDWARE LIST:

A	Jcbc Screw-M6x50mm	18 pcs.
B	Flat Washer-M6x16mm	18 pcs.
C	Spring Washer-5/16"	18 pcs.
D	Allen Key-M6	1 pc.



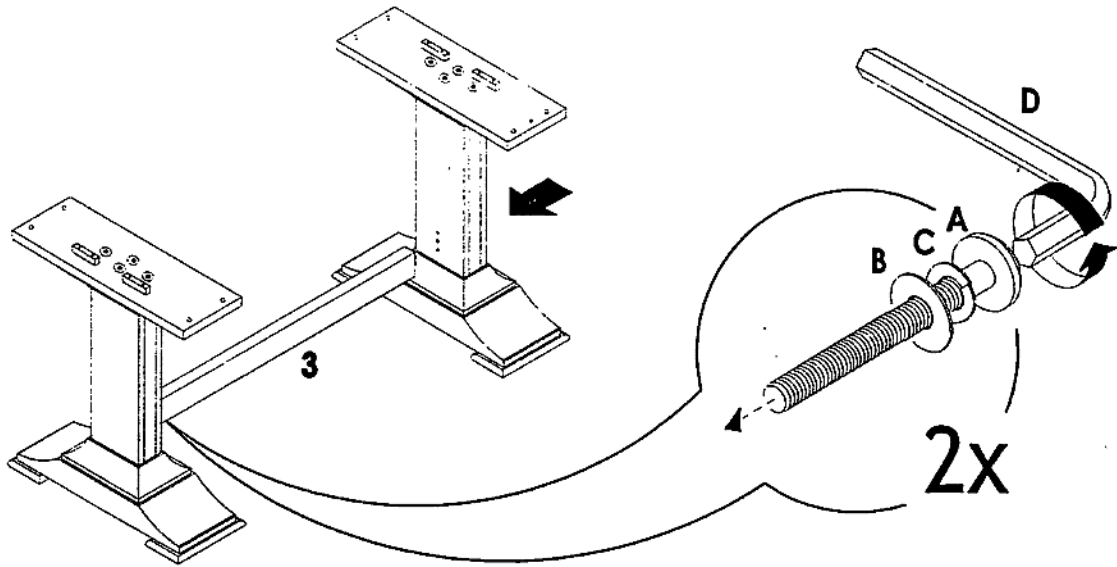
IMPORTANT NOTE :

- Place all wooden parts on a clean and smooth surface such as a rug or carpet to avoid the parts from being scratched. Check to be sure that you have all parts and hardware. Remove all wrapping materials, including staples & packing straps before you start to assemble. Do not tighten all screws/bolts until all completely assembled.
- Keep all hardware parts out of reach of children.
- **DO NOT TIGHTEN BOLTS/SCREWS UNTIL ALL COMPLETELY ASSEMBLED.**

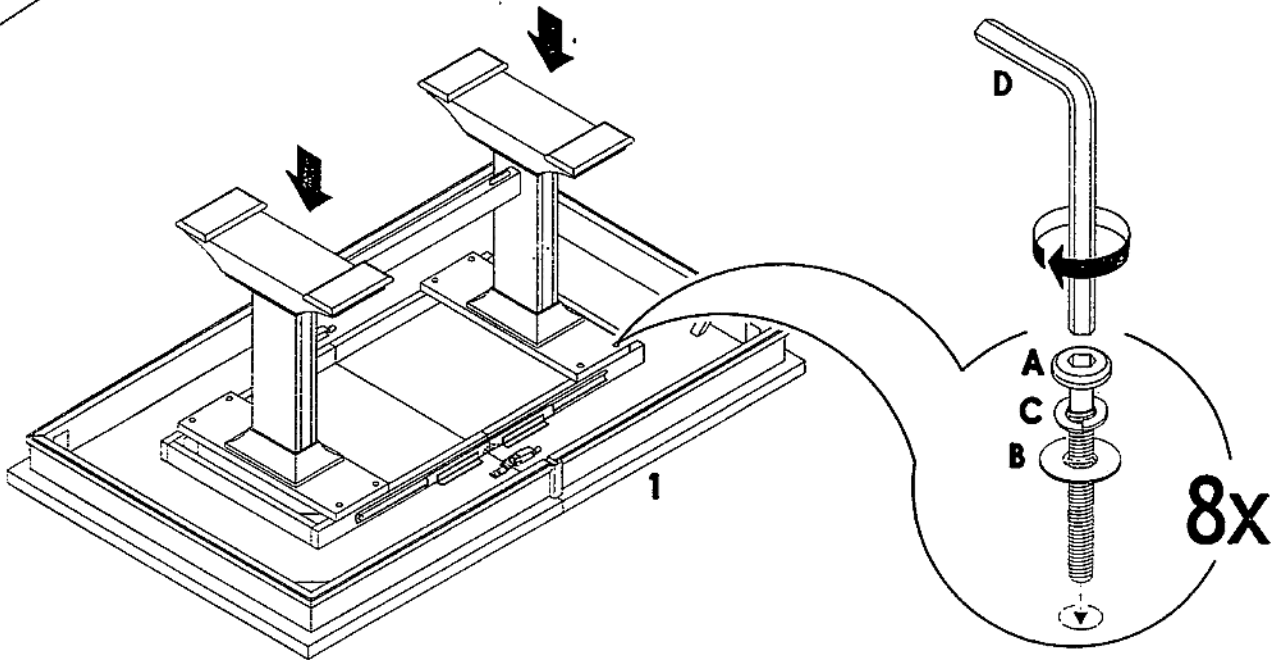


Assembly Instructions
Model No. : T-406618XTXB
40"x66"x84"x30"H TRESTLE PEDESTAL TABLE

2

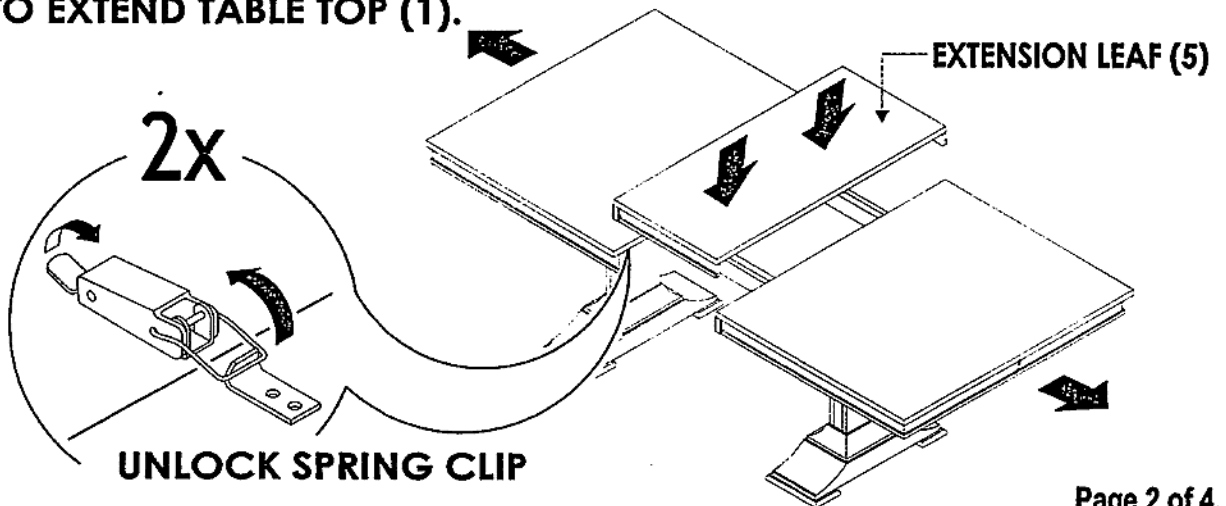


3

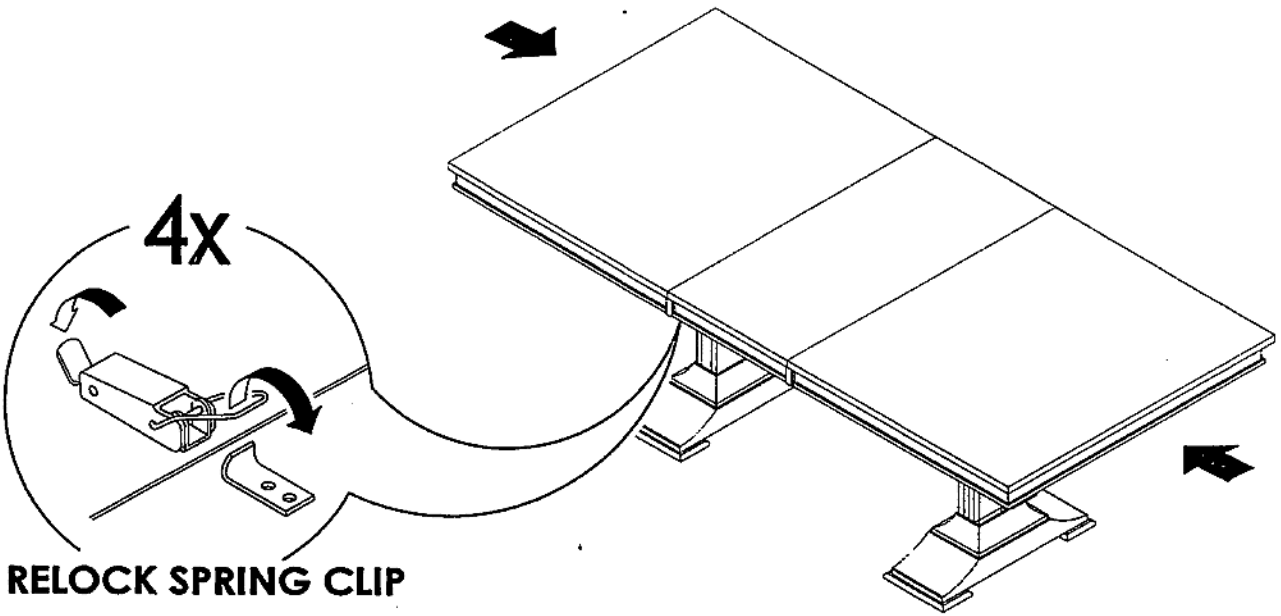


4

TO EXTEND TABLE TOP (1).

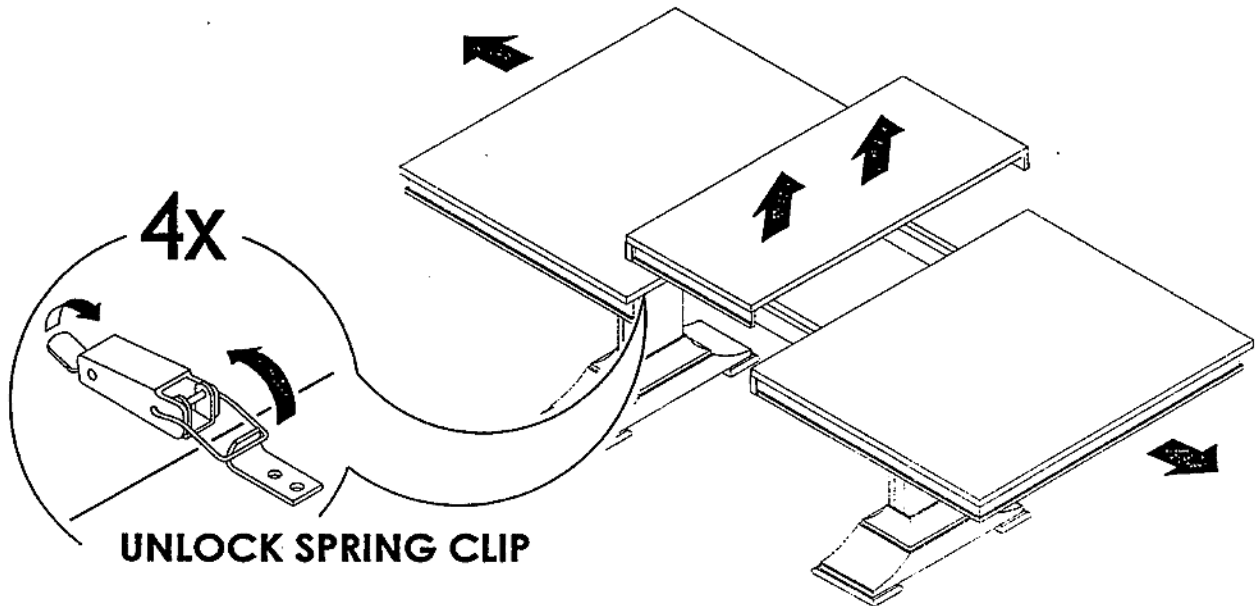


5

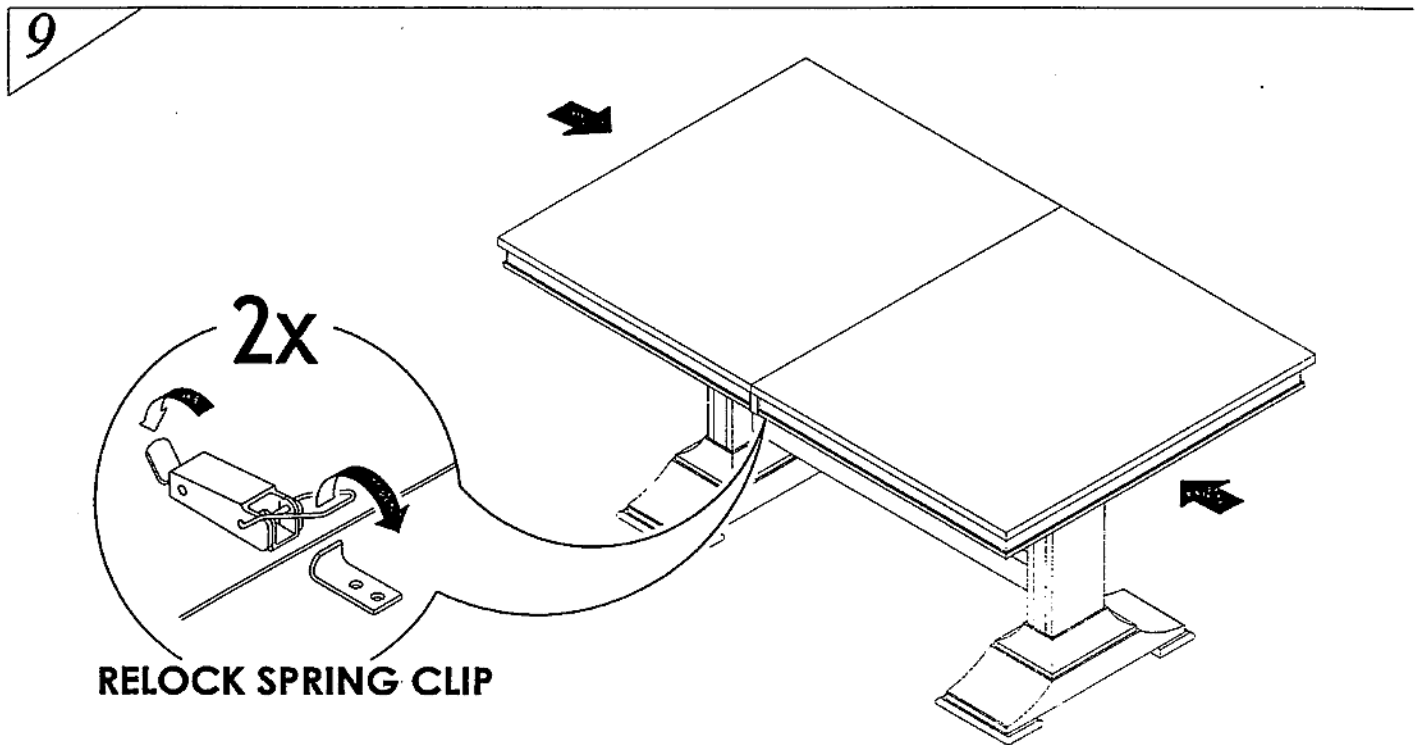
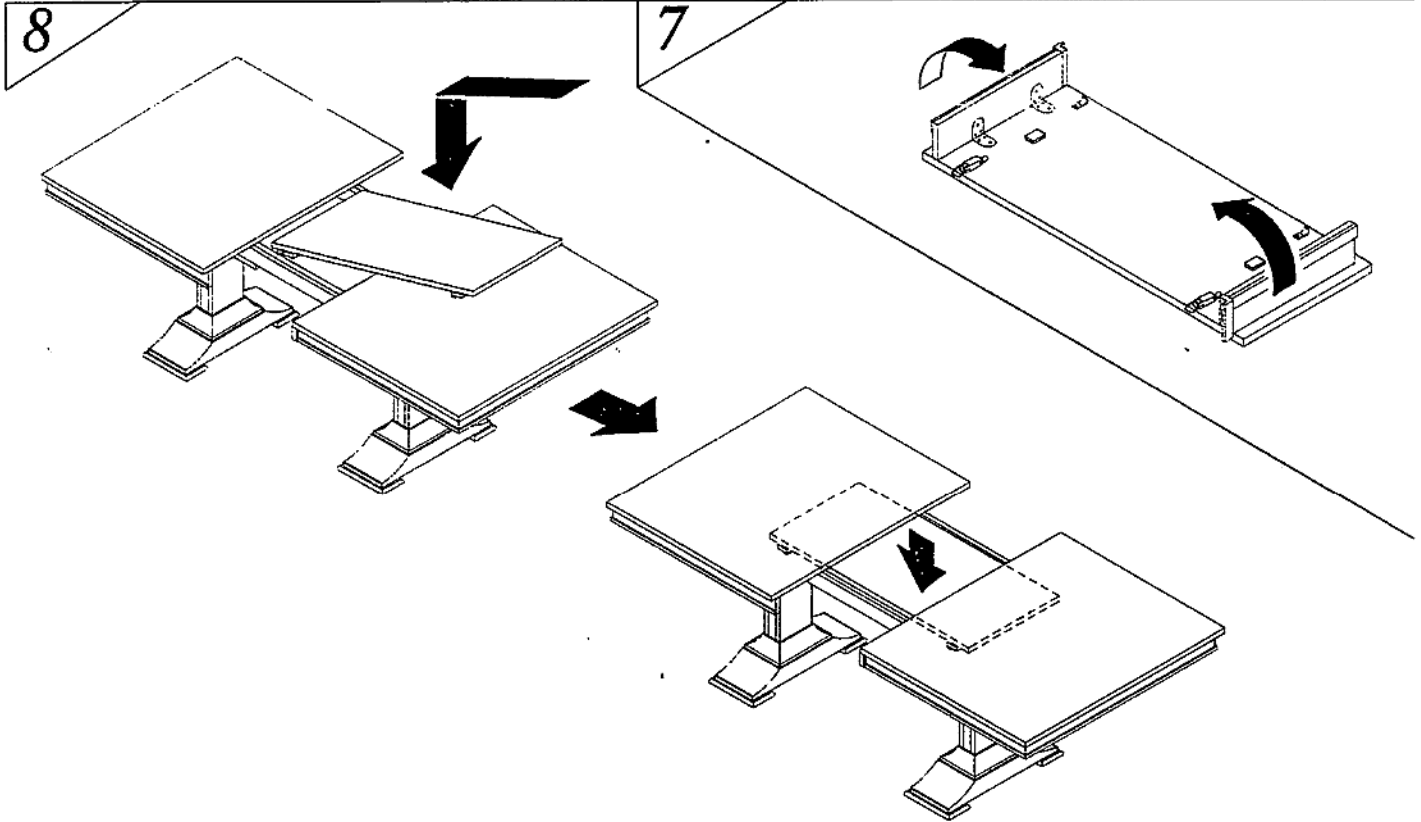


6

TO STORE EXTENSION LEAF (5).



Assembly Instructions
Model No. : T-406618XTXB
40"x66"x84"x30"H TRESTLE PEDESTAL TABLE



CARE AND MAINTENANCE

The touch of a soft cloth is all the maintenance your wood pieces will ever need. Never use harsh chemicals or abrasive cleaners, as they could mark or destroy finish.

MADE IN MALAYSIA