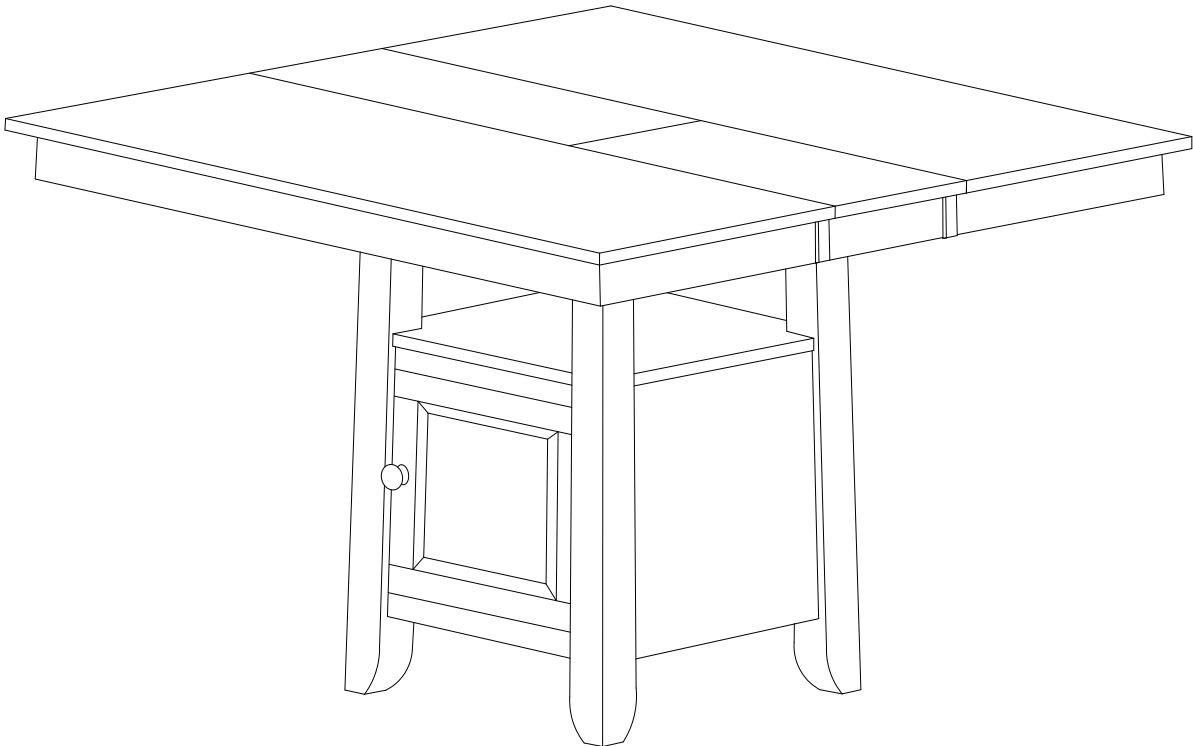


ASSEMBLY INSTRUCTIONS



Description : GATHERING BUTTERFLY LEAF TABLE
Item No. : T-4254XBT AND T-4254XBG

ITEM NO.: T-4254XBT AND T-4254XBG
REVISED AUG 18, 2015

Printed in Vietnam
THIS ITEM IS PACKED IN TWO CARTONS

BEFORE ASSEMBLY

Thank you for purchasing this quality product. This product has been designed for easy assembly and constructed for durability. All parts were checked prior to packaging to insure quality. Prior to beginning assembly, however, make sure all parts and hardware are included and free of obvious defect. If a part is missing or defective, please contact the store where purchased. If hardware is missing, or you need help with assembly, please call toll free 888-944-8396.

IMPORTANT NOTE:

- Place all wooden parts on a clean and smooth surface such as a rug or carpet to avoid the parts from being scratched.
- Remove all wrapping material, including staples & packing straps before you start to assemble.
- DO NOT tighten all screws and bolts until completely assembled.
- Keep all hardware parts out of reach of children.

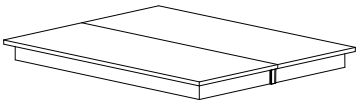
WARNING:

Long exposure to rubber or soft plastic may cause a chemical reaction and damage the finish of your table. Protect the surface of the table with cloth if you are using any product with rubber feet or base.



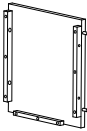
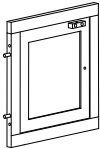
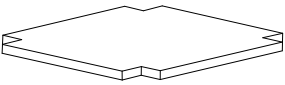
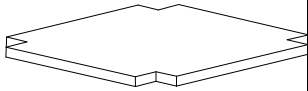
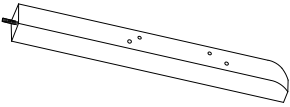
PART LIST T-4254XBT

When unpacking, please be careful not to discard any parts with the packaging. Before continuing, please make sure you have the following parts:

NO	Description	Qty	Sketch	NO	Description	Qty	Sketch
A	Top	1					

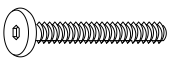

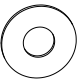


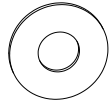

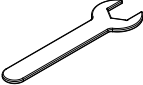
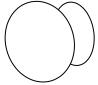
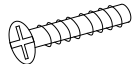
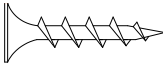
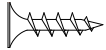
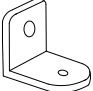
PART LIST T-4254XBG

When unpacking, please be careful not to discard any parts with the packaging. Before continuing, please make sure you have the following part

NO	Description	Qty	Sketch	NO	Description	Qty	Sketch
B	Side panel	2		C	Door frame	2	
D	Bottom panel	1		E	Shelf	1	
F	Leg Lx2, Rx2	4					

HARDWARE LIST

When unpacking, please be careful not to discard any parts with the packaging. Before continuing, please make sure you have all of the following hardware:

NO	Description	Qty	Sketch	NO	Description	Qty	Sketch
1	Bolt (M6x45mm)	16		2	Small Lock washer ($\Phi 6.5 \times \Phi 11 \text{mm}$)	8	
3	Small Flat washer ($\Phi 6.5 \times \Phi 16 \text{mm}$)	8		4	Hexagon nut (M8x13mm)	4	
5	Large Lock washer $\Phi 8.5 \times \Phi 13 \text{mm}$	4		6	Large flat washer ($\Phi 8.5 \times \Phi 19 \text{mm}$)	4	
7	Allen key (4x80mm)	1		8	Wrench (13mm)	1	
9	Wood Knob ($\Phi 35 \text{mm}$)	2		10	Pan head screw (M4x28mm)	2	
11	Long wood screw (M4x30mm)	4		12	Short wood screw (M3.5x15mm)	4	
13	L-bracket (1x18x18mm)	2					

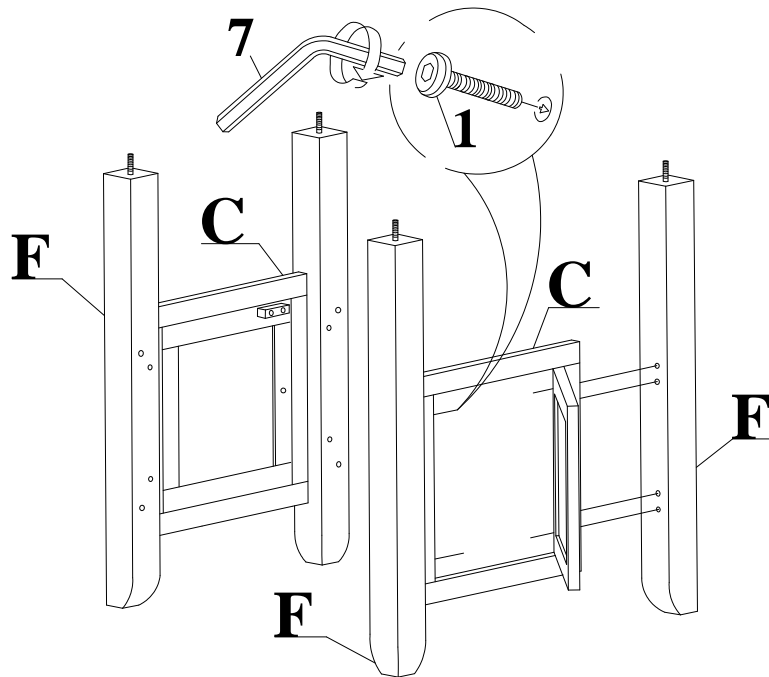
NOTE: HARDWARE IS PACKED IN CARTON T-4254XBG

ITEM NO.: T-4254XBT AND T-4254XBG
REVISED AUG 18, 2015

Printed in Vietnam
THIS ITEM IS PACKED IN TWO CARTONS

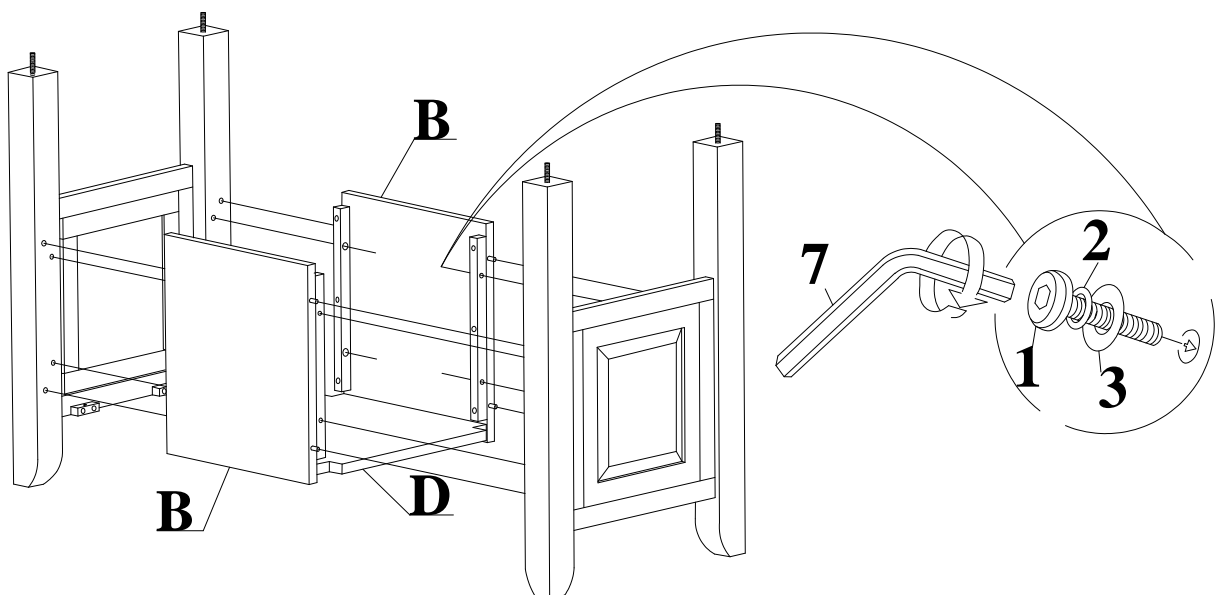
STEP 1

Attach door frames (C) to legs (F) with bolts (1). Tighten with Allen key (7).



STEP 2

Attach side panels (B) to bottom panel (D). Then attach them to legs (F) with bolts (1), washers (2) and (3). Tighten with Allen key (7).

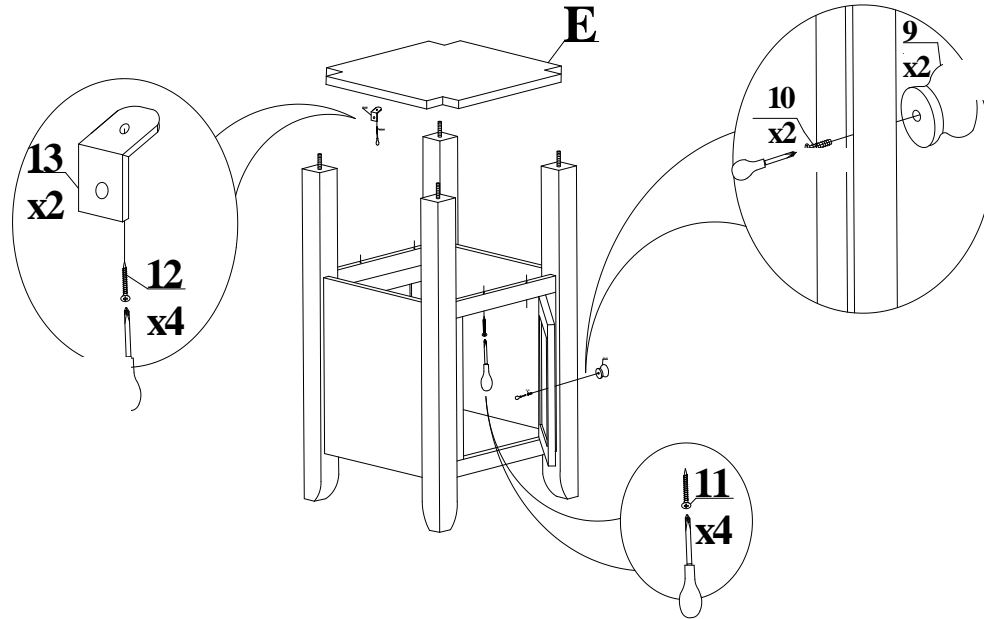


STEP 3

Place the shelf (E) on top of side panels (B). Attach shelf (E) to side panels (B) with brackets (13) and screws (12). Tighten with a screwdriver.

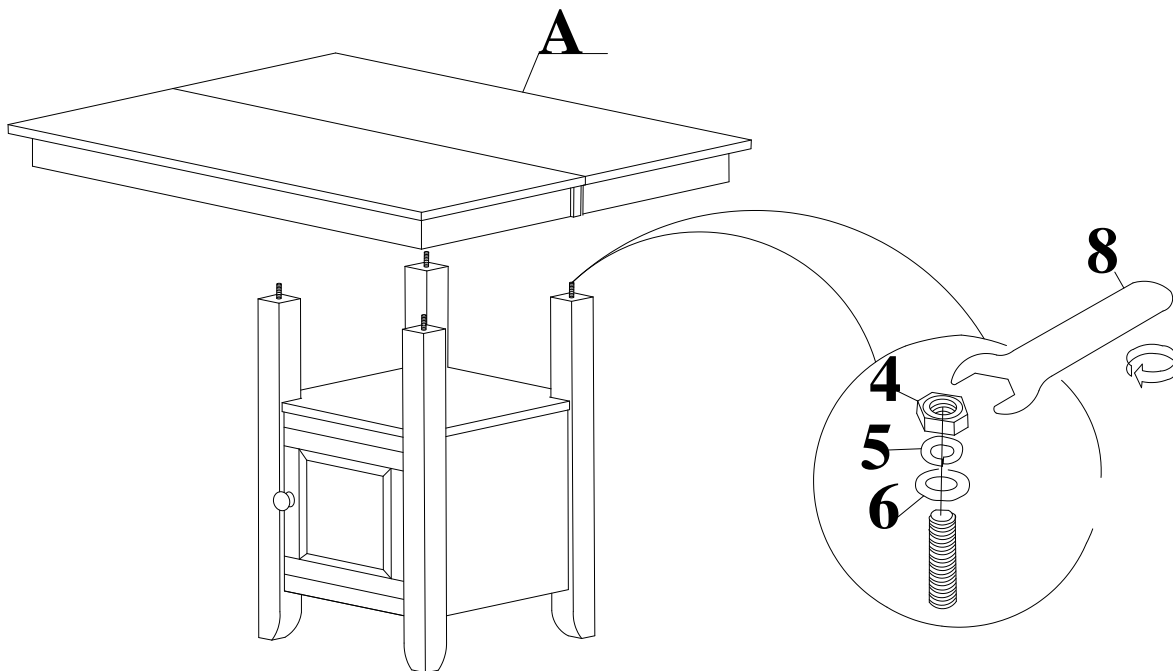
Attach shelf (E) to top of door frames (C) with screws (11) as shown below. Tighten with the screwdriver.

Attach knobs (9) to doors with screws (10). Tighten with the screwdriver.



STEP 4

Carefully attach top (A) to the base (from Step 3) with nuts (4), washers (5) and (6). Tighten with the wrench (8).



STEP 5

Unlock the table top from both sides underneath the top as shown below. Pull the 2 parts of the table top apart. Place the leaves in the center of the open table top. Push the table top closed. Lock the mechanism underneath 2 sides of the table top as shown below..

