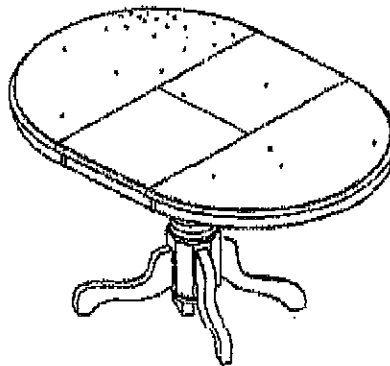


Assembly Instructions  
**Model No. : T-4848XBT/Y-48XB**  
**48"x48"x66" Butterfly Table**



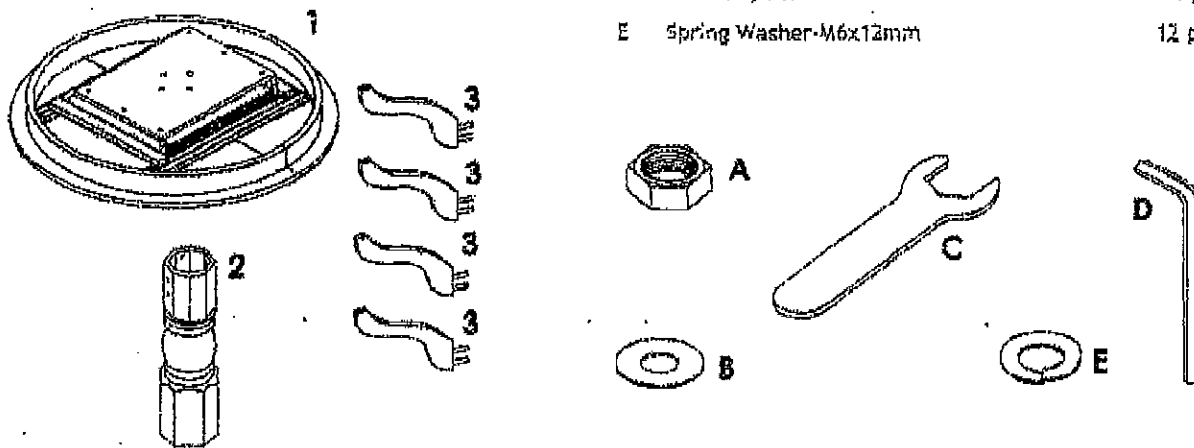
\* Thank you for purchasing White Wood Industries Inc. product. This product has been designed for easy assembly and constructed for durability. Please take the time to read and follow the assembly instructions. If a part or hardware is missing or have any difficulties in assembling this product, Please contact Toll Free 1-888-944-8396.

**PARTS LIST :**

1	Table Top	1 pc.
2	Pedestal Column	1 pc.
3	Pedestal Base	4 pcs.

**HARDWARE LIST :**

A	Hexagon Nut-DIA. 12mm	12 pcs.
B	Flat Washer-M8x22mm	12 pcs.
C	Wrench-12.8mm	1 pc.
D	Allen Key-M4	1 pc.
E	Spring Washer-M6x12mm	12 pcs.

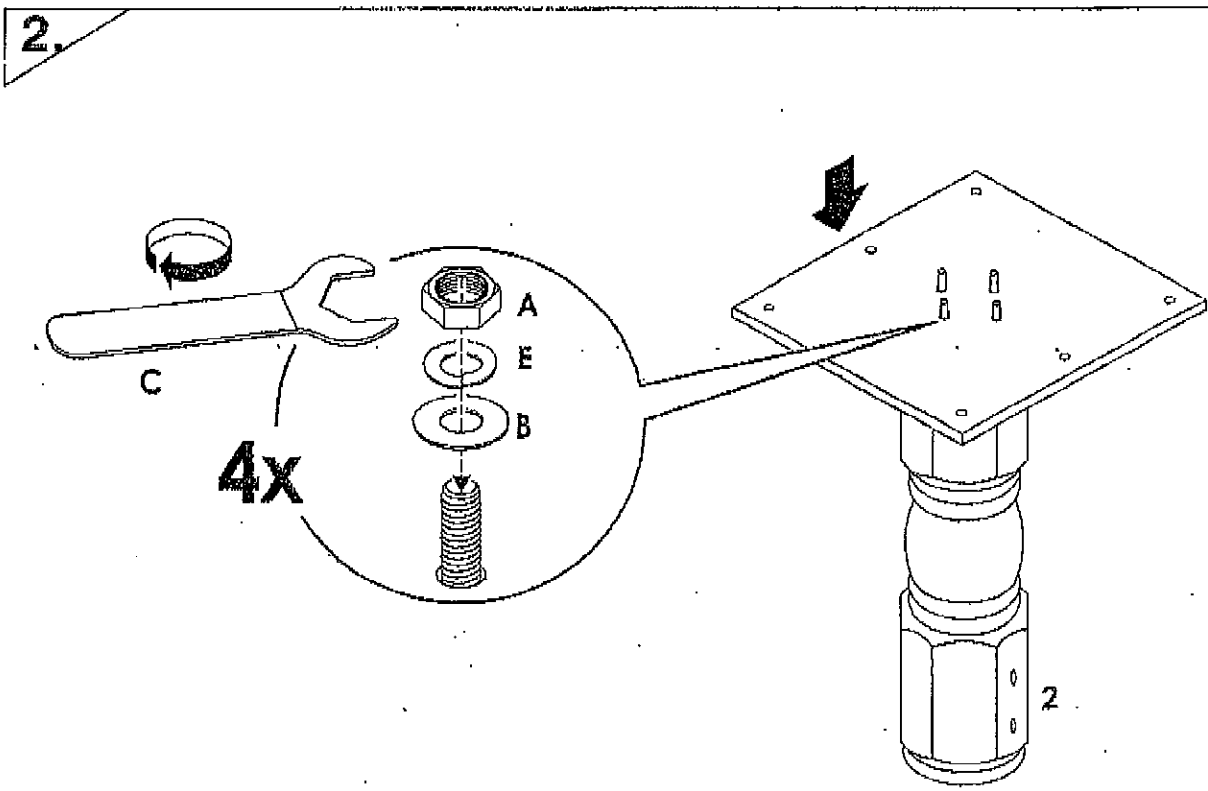
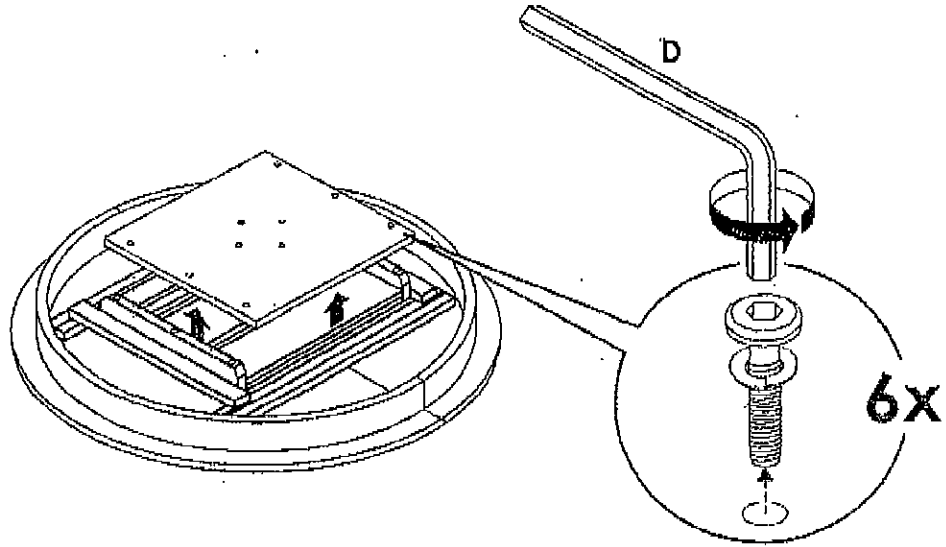


**IMPORTANT NOTE :**

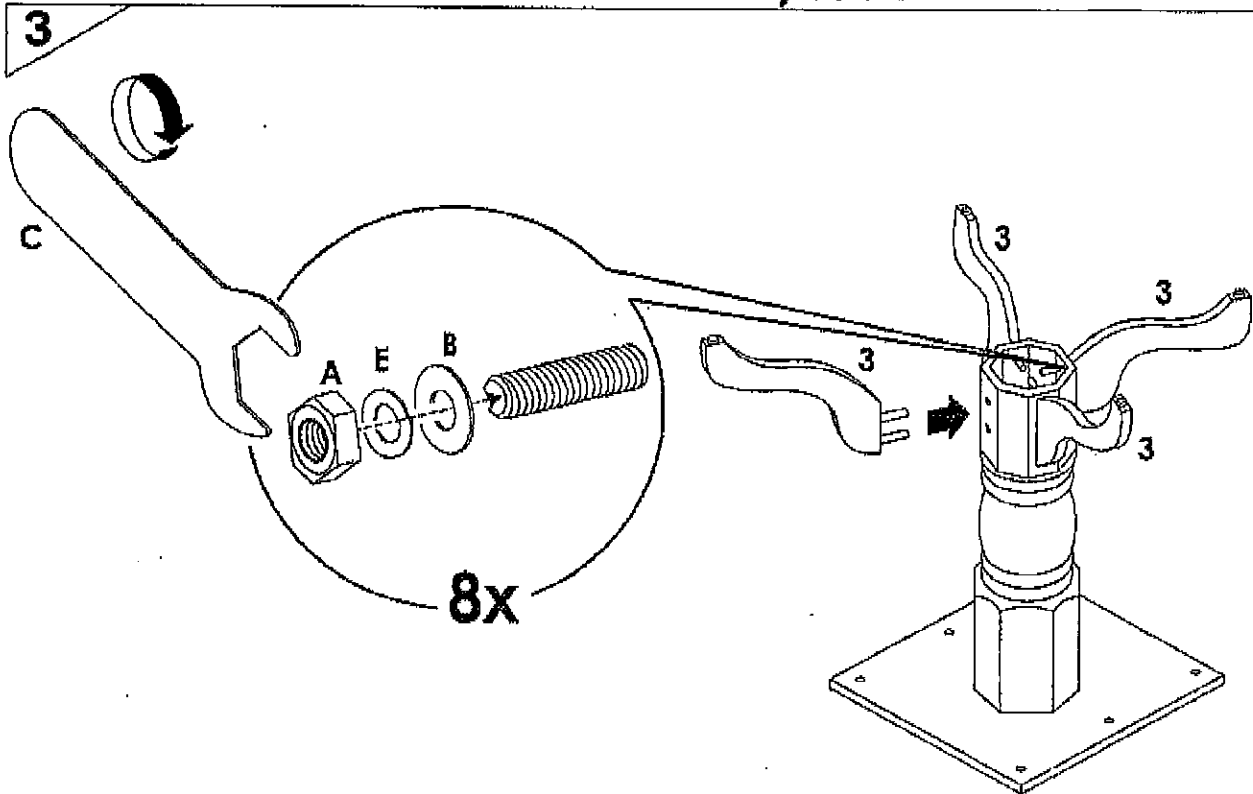
- \* Place all wooden parts on a clean and smooth surface such as a rug or carpet to avoid the parts from being scratched. Check to be sure that you have all parts and hardware. Remove all wrapping materials, including staples & packing straps before you start to assemble.
- \* Keep all hardware parts out of reach of children.
- \* **DO NOT TIGHTEN BOLTS/SCREWS UNTIL ALL COMPLETELY ASSEMBLED.**

Assembly Instructions  
Model No. : T-4848XBT/T-48XB  
48"x48"x66" Butterfly Table

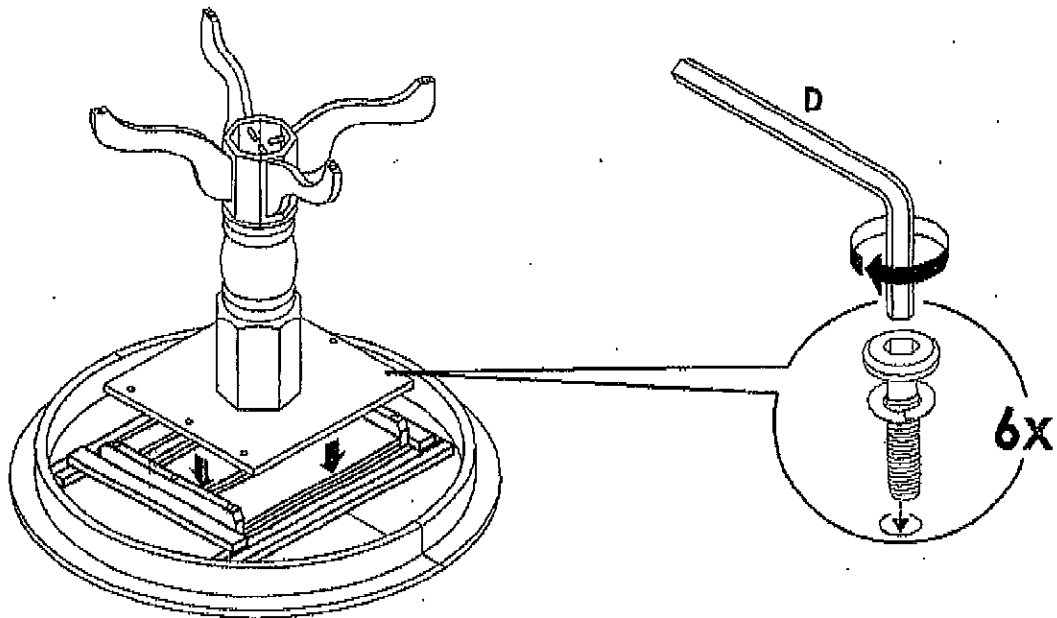
- 1** Loosen all JCBC Screws and Flat Washers from Mounting Plate(3) by using Allen Key(D).



Assembly Instructions  
Model No. : T-4848XBT/T-48XB  
48"x48"x66" Butterfly Table



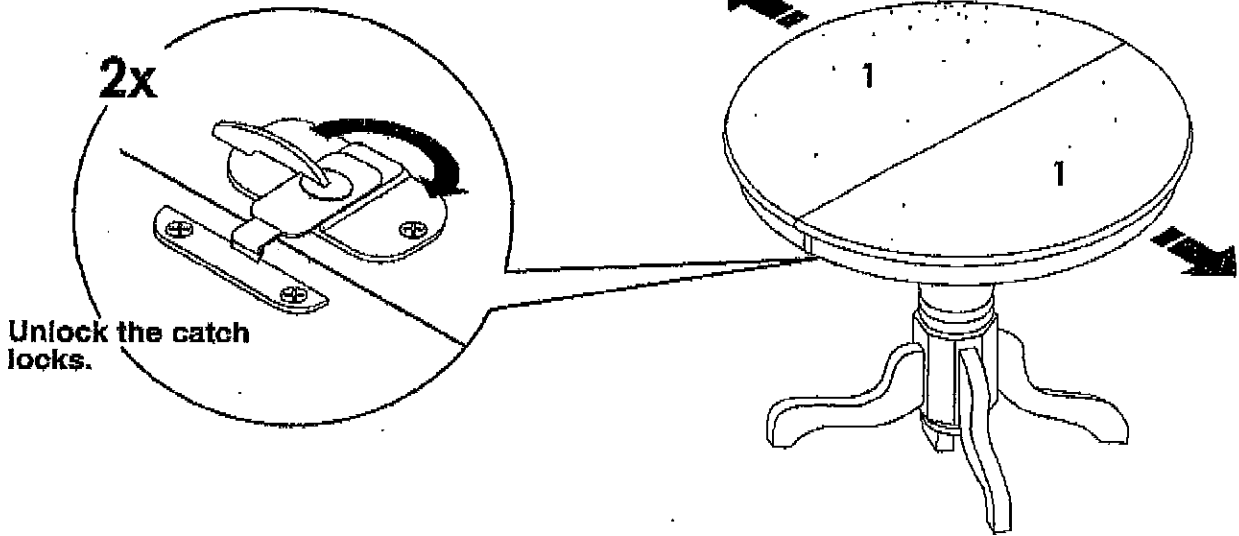
**4** Retighten all JCBC Screws and Flat Washer by using Allen Key(D).



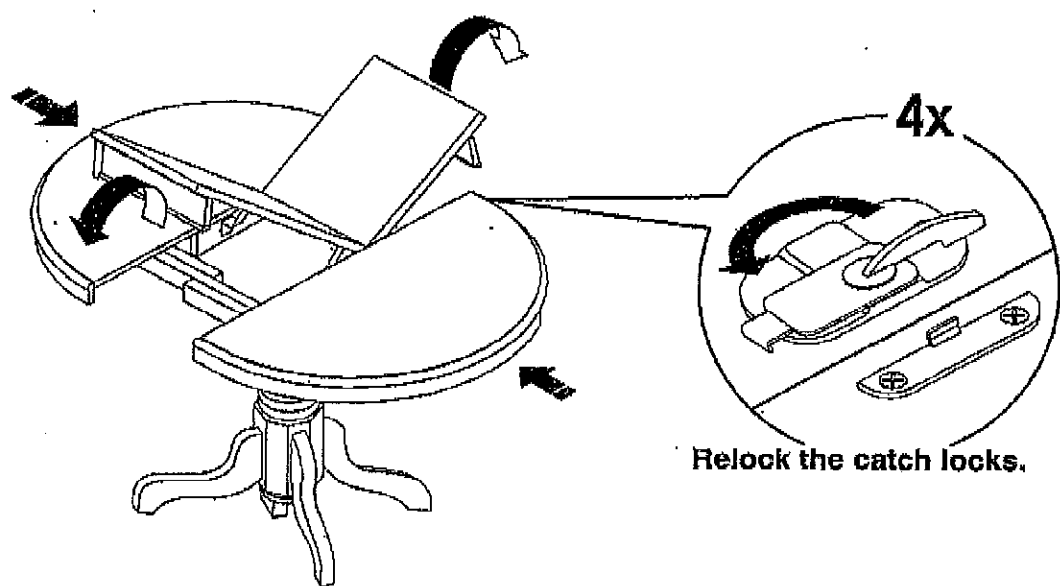
Assembly Instructions  
Model No. : T-4848XBT/T-48XB  
48"x48"x66" Butterfly Table

5

To Extend the Table Top (1).



6



CARE AND MAINTENANCE

The touch of a soft cloth is all the maintenance your wood pieces will ever need. Never use harsh chemicals or abrasive cleaners, as they could mark or destroy finish.

MADE IN MALAYSIA