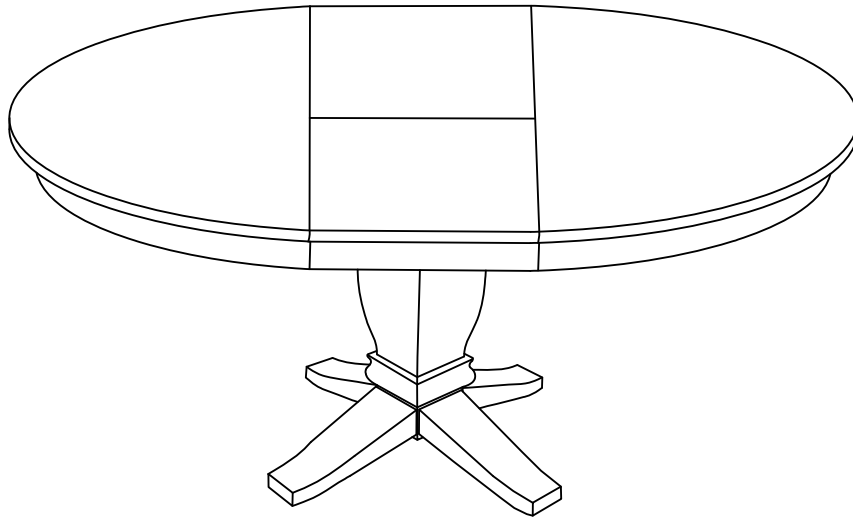


# ASSEMBLY INSTRUCTIONS

---



---

Description : BUTTERFLY LEAF PEDESTAL TABLE  
Item No. : T-5454XBT AND T-10XB OR T-10XBG  
(PACKED IN SEPARATE BOX)

ITEM NO.: T-5454XBT AND T-10XB OR T-10XBG  
(PACKED IN SEPARATE BOX)  
REVISED APR 15, 2015

Printed in Vietnam

## BEFORE ASSEMBLY

Thank you for purchasing this quality product. This product has been designed for easy assembly and constructed for durability. All parts were checked prior to packaging to insure quality. Prior to beginning assembly, however, make sure all parts and hardware are included and free of obvious defect. If a part is missing or defective, please contact the store where purchased. If hardware is missing, or you need help with assembly, please call toll free 888-944-8396.

**IMPORTANT NOTE:**

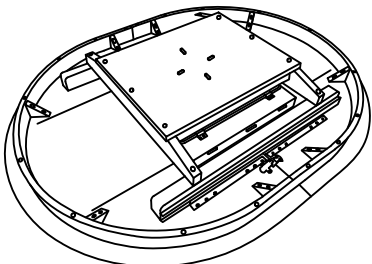
- Place all wooden parts on a clean and smooth surface such as a rug or carpet to avoid the parts from being scratched.
- Remove all wrapping material, including staples & packing straps before you start to assemble.
- DO NOT tighten all screws and bolts until completely assembled.
- Keep all hardware parts out of reach of children.

**WARNING:**

Long exposure to rubber or soft plastic may cause a chemical reaction and damage the finish of your table. Protect the surface of the table with cloth if you are using any product with rubber feet or base.



## PART LIST T-5454XBT

When unpacking, please be careful not to discard any parts with the packaging. Before continuing, please make sure you have the following parts:

NO	Description	Qty	Sketch	NO	Description	Qty	Sketch
A	Top	1					

## PART LIST T-10XB OR T-10XBG

When unpacking, please be careful not to discard any parts with the packaging. Before continuing, please make sure you have the following parts:

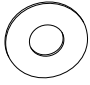

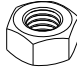
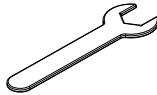
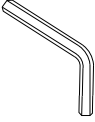
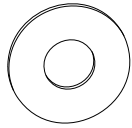
NO	Description	Qty	Sketch	NO	Description	Qty	Sketch
B	Pedestal column	1		C	Leg	4	

**ITEM NO.: T-5454XBT AND T-10XB OR T-10XBG**  
**(PACKED IN SEPARATE BOX)**  
**REVISED APR 15, 2015**

**Printed in Vietnam**

# HARDWARE LIST

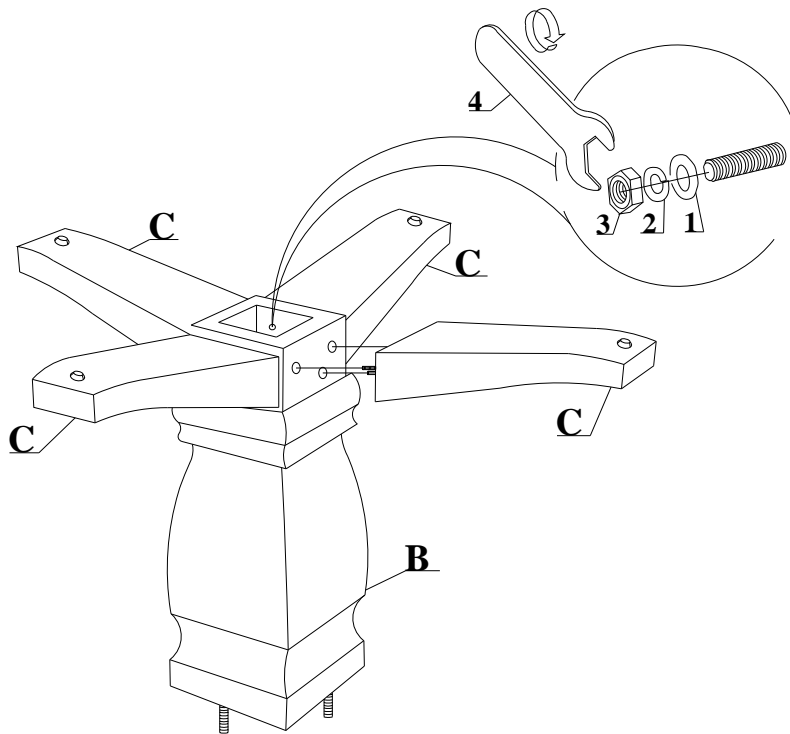
When unpacking, please be careful not to discard any parts with the packaging. Before continuing, please make sure you have all of the following hardware:

NO	Description	Qty	Sketch	NO	Description	Qty	Sketch
1	Flat washer ( $\Phi 8.5 \times \Phi 19 \text{mm}$ )	8		2	Lock washer ( $\Phi 8.5 \times \Phi 13 \text{mm}$ )	12	
3	Hexagon nut (M8x13mm)	12		4	Wrench (M13mm)	1	
5	Allen key (4x80mm)	1		6	Large flat washer ( $\Phi 8.5 \times \Phi 22 \text{mm}$ )	4	

**NOTE : HARDWARE IS PACKED IN CARTON T-10XB AND T-10XBG**

## STEP 1

Attach the legs (C) to the pedestal (B) with washers (2) and (1) and nut (3), as shown below. Tighten with the wrench (4).

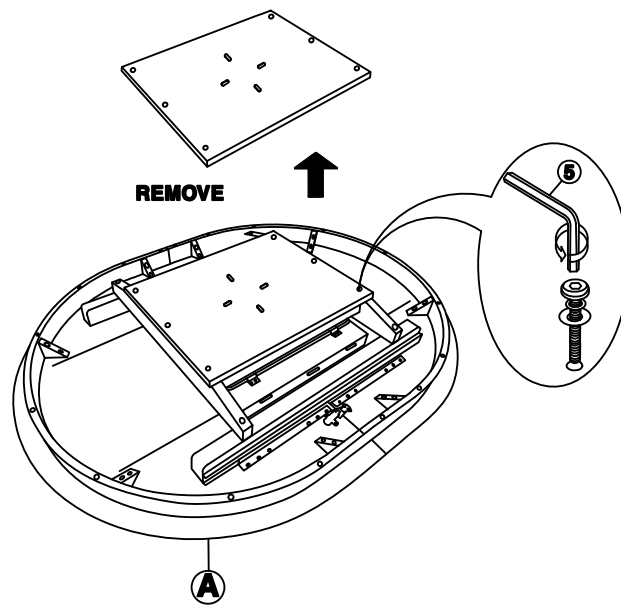


**ITEM NO.: T-5454XBT AND T-10XB OR T-10XBG  
(PACKED IN SEPARATE BOX)  
REVISED APR 15, 2015**

**Printed in Vietnam**

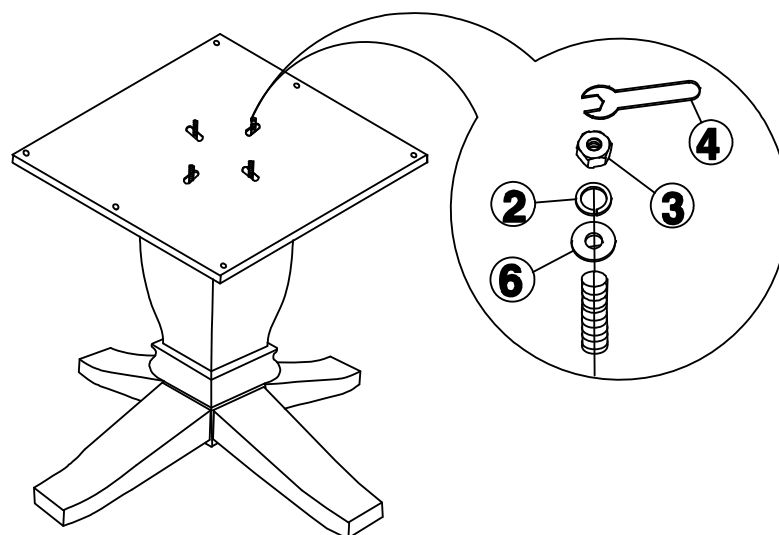
## STEP 2

Use the Allen key (5) to loosen the bolts and washers, and take off the plate underneath the table top.



## STEP 3

Place the plate on top of the pedestal (B), attach with washers (6), and (2) and nuts (3). Tighten with the Wrench (4) as shown below.

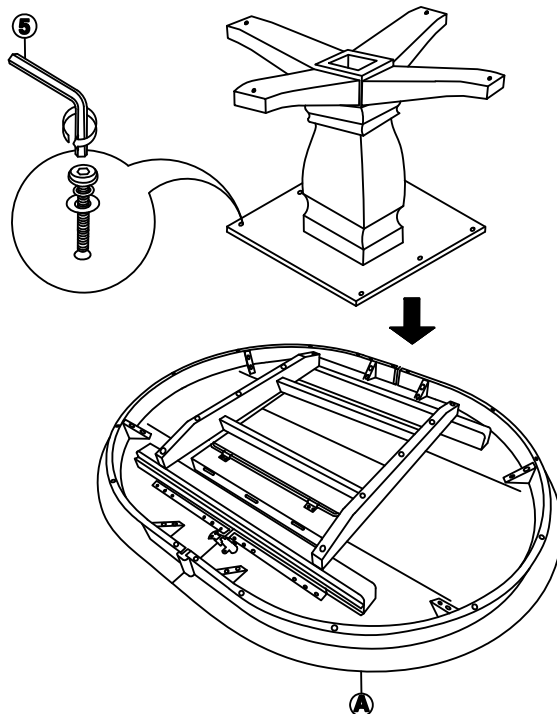


ITEM NO.: T-5454XBT AND T-10XB OR T-10XBG  
(PACKED IN SEPARATE BOX)  
REVISED APR 15, 2015

Printed in Vietnam

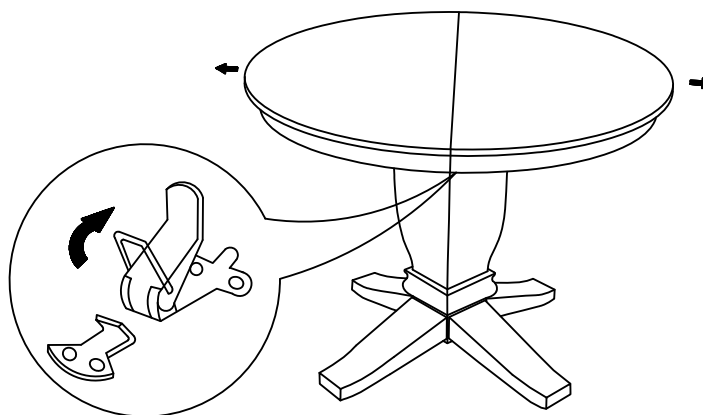
## STEP 4

Carefully put the pedestal block on the bottom side of the table top, attach the top to plate with bolts and washers (from step 2) and tighten with the Allen key (5)



## STEP 5

Unlock the table top from both sides underneath the top as shown below. Pull the 2 parts of the table top apart.



## STEP 6

Place the butterfly leaf in the center of the open table top. Push the table top closed. Lock the mechanism underneath 2 sides of the table top as shown below.

