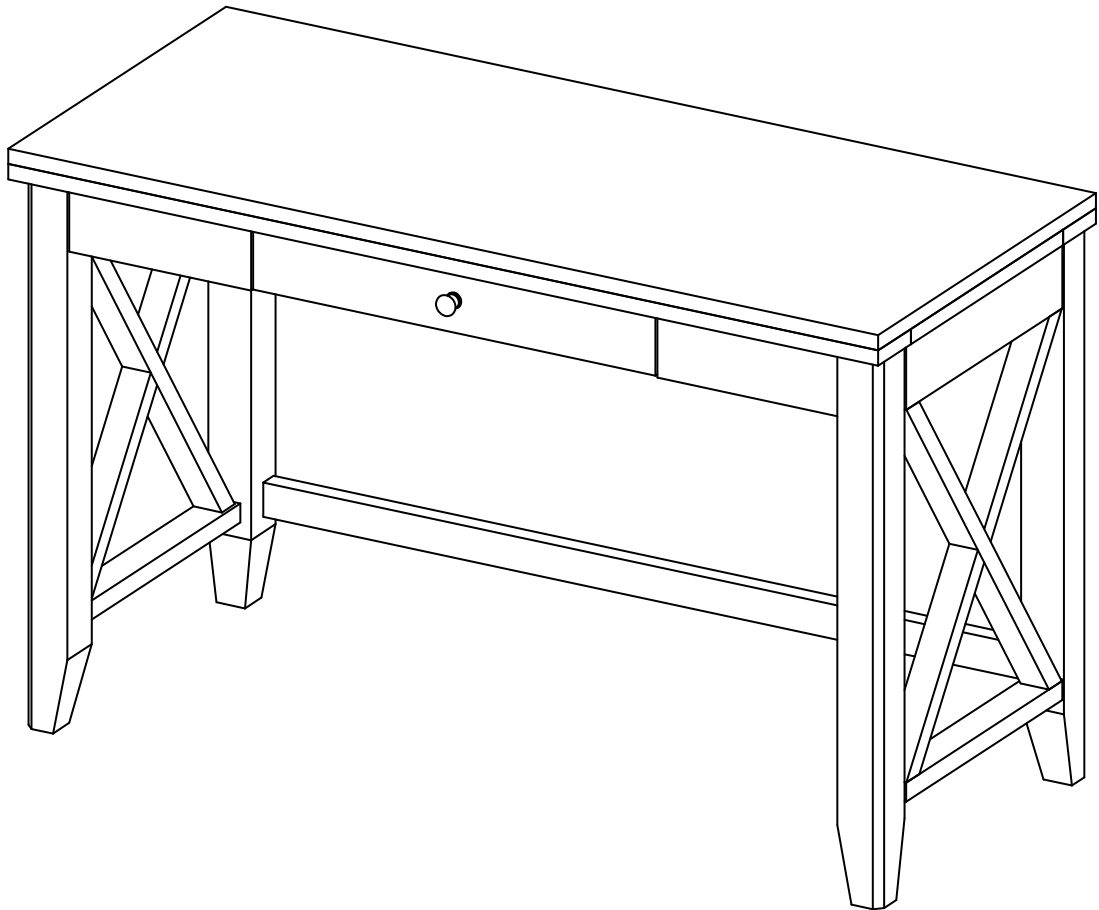


ASSEMBLY INSTRUCTIONS



Description : HAMPTON DESK
Item No. : OF-67X

BEFORE ASSEMBLY

Thank you for purchasing this quality product. This product has been designed for easy assembly and constructed for durability. All parts were checked prior to packaging to insure quality. Prior to beginning assembly, however, make sure all parts and hardware are included and free of obvious defect. If a part is missing or defective, please contact the store where purchased. If hardware is missing, or you need help with assembly, please call toll free 888-944-8396.

IMPORTANT NOTE:

- Place all wooden parts on a clean and smooth surface such as a rug or carpet to avoid the parts from being scratched.
- Remove all wrapping material, including staples & packing straps before you start to assemble.
- DO NOT tighten all screws, bolts until completely assembled.
- Keep all hardware parts out of reach of children.

WARNING:

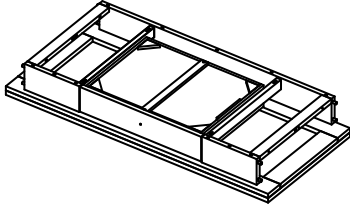
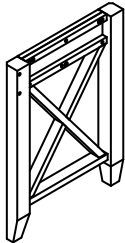
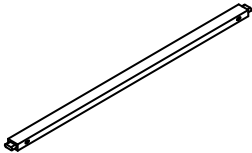
Long exposure to rubber or soft plastic may cause a chemical reaction and damage the finish of your table. Protect the surface of the table with cloth if you are using any product with rubber feet or base.

ASSEMBLY TOOLS REQUIRED NOT INCLUDED



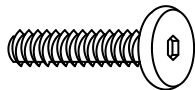
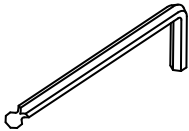
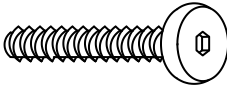
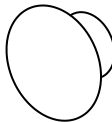

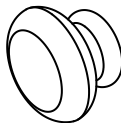



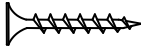
PART LIST

When unpacking, please be careful not to discard any parts with the packaging. Before continuing, please make sure you have all of the following parts:

| NO | Description | Qty | Sketch | NO | Description | Qty | Sketch |
|----|-------------|-----|---|----|------------------|-----|---|
| A | Top | 1 |  | C | Side Frame (L-R) | 2 |  |
| B | Crossbar | 1 |  | | | | |

HARDWARE LIST

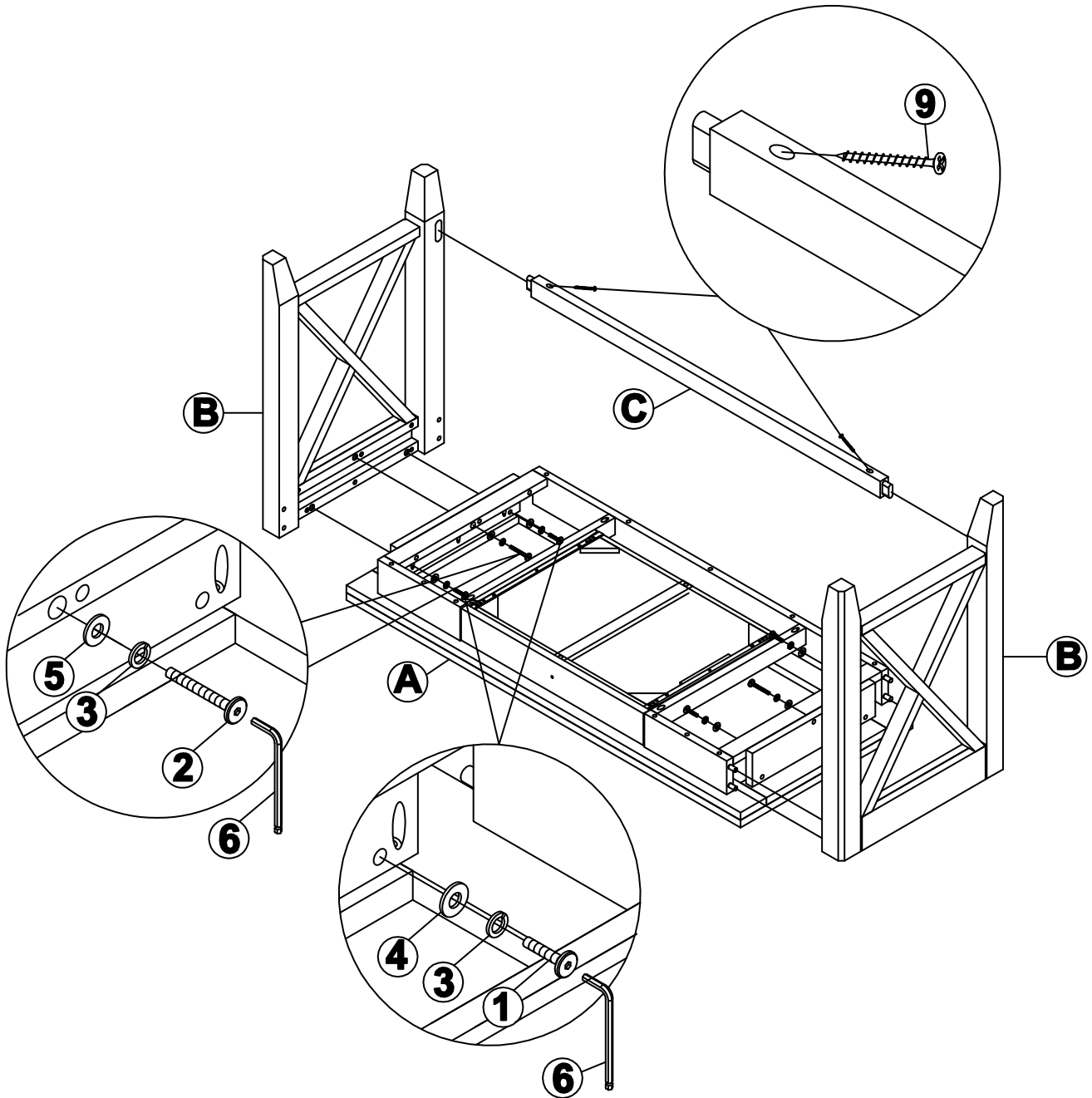
When unpacking, please be careful not to discard any parts with the packaging. Before continuing, please make sure you have all of the following hardware:

| NO | Description | Qty | Sketch | NO | Description | Qty | Sketch |
|----|---------------------------------|-----|---|----|---|-----|---|
| 1 | Short Bolt (M6 x 35mm) | 4 |  | 6 | Allen key (M4 x 30mm x 110mm) | 1 |  |
| 2 | Long Bolt (M6 x 60mm) | 2 |  | 7 | Wooden knob (Φ30 x 30mm) | 1 |  |
| 3 | Lock Washer (Φ6.5 x 11mm) | 6 |  | | METAL KNOB (Φ30 x 30mm) GOES WITH FINISHED ITEM ONLY. | 1 |  |
| 4 | Large Flat Washer (Φ6.5 x 19mm) | 4 |  | 8 | Pan head screw *Metal knob: (M4x22mm) *Wooden knob: (M4x25mm) | 1 |  |
| 5 | Small Flat Washer (Φ6.5 x 13mm) | 2 |  | 9 | Screw (M4 x 45mm) | 2 |  |

STEP 1

Attach side frames (B) to the top (A) with bolts (1) and (2), and washers (3), (4) and (5) as shown below. Tighten with Allen key (6).

Insert crossbar (C) into side frames (B) and attach with screws (9) as shown below. Tighten with a screwdriver.



STEP 2

Attach knob (7) to front of drawer with pan head screw (8) as shown below. Tighten with a screwdriver.

