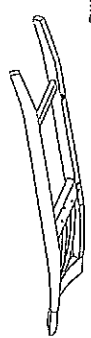
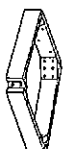





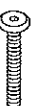

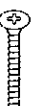





ASSEMBLY INSTRUCTION
Dimension: W.18"XD.21"XH.38"-1/4

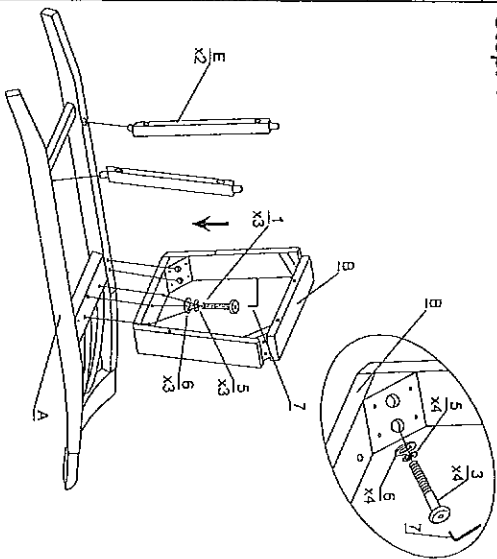
Description: 24 IN SLATBACK STOOL
Item No: S-3012

TOLL FREE: 1 888 944 8396

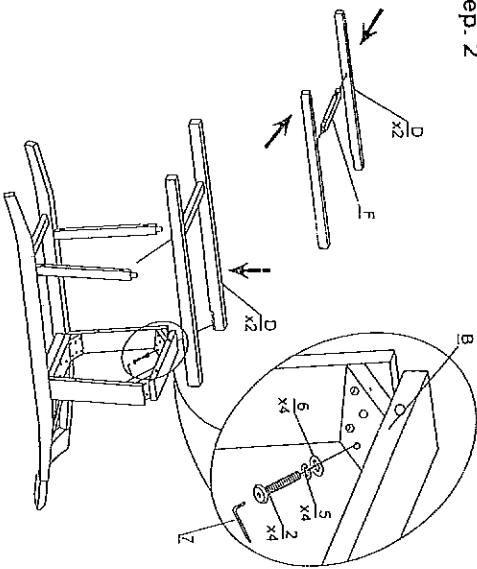
LIST OF PARTS

| | | |
|---------------------------|---|------------------------|
| A BACK FRAME |  | 1 pc |
| B SEAT FRAME |  | 1 pc |
| C CHAIR SEAT |  | 1 pc |
| D FRONT LEGS |  | 1 pc |
| E SIDE STRETCHER |  | Left -1pc Right-1pc |
| F FRONT STRETCHER |  | Left -1pc Right-1pc |
| LIST OF HARDWARE | | |
| 1 SHORT JCBC BOLT |  | 3 pcs |
| 2 MEDIUM JCBC BOLT |  | 4 pcs |
| 3 LONG JCBC BOLT |  | 4 pcs |
| 4 WOOD SCREW |  | 10 pcs |
| 5 LOCK WASHER |  | 11 pcs |
| 6 FLAT WASHER |  | 11 pcs |
| 7 ALLEN KEY |  | 1 pc |

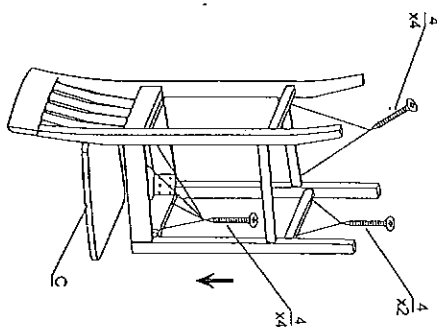
Step. 1



Step. 2



Step. 3



Step. 4

