

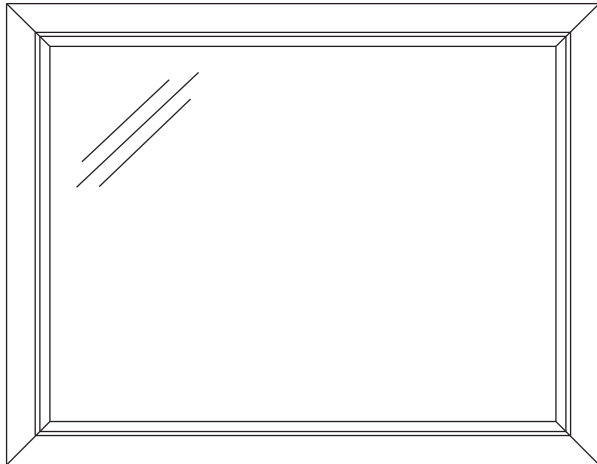
Model #

2171AST

Ellison Rectangular Mirror

AST = Astoria Sky finish

Assembly Instructions



Thank you for allowing us to help you furnish your home. We are certain you will be delighted with your new furniture for many years to come.

IMPORTANT NOTES:

- For normal household use only. *Not recommended for commercial use.*



- Handle the mirror with care. Glass is fragile.
- Before you begin your project, completely read the Assembly Instructions.

WARNING

Drilling, sawing, sanding or machining wood products can expose you to wood dust, a substance known to the state of California to cause cancer. Avoid inhaling wood dust or use a dust mask or other safeguards for personal protection.

For more information go to: www.p65warnings.ca.gov/wood

This product can expose you to chemicals, including formaldehyde, which are known to the State of California to cause cancer.

For more information go to: www.p65warnings.ca.gov/furniture

DESIGN SUBJECT TO CHANGE WITHOUT NOTICE.

CUSTOMER SERVICE

If you ever have questions about your furniture, please do not hesitate to contact us. In the unlikely event you need a replacement part; we can make those parts available through an authorized Whittier Wood Furniture dealer. If you cannot order replacement parts through your dealer, please contact our customer service department.

Hours: Our friendly customer service staff can be reached:

Monday-Friday 8:00 a.m. to 5:00 p.m. (Pacific Time).

You may leave a message 24 hours a day, seven days a week.

Customer Service: 800-653-3336 • **Outside the U.S.:** 541-687-0213

Fax: 541-687-2060 • **Email:** info@whittierwood.com



P.O. Box 2827
Eugene, OR 97402 USA

Production Code:

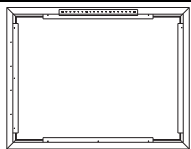
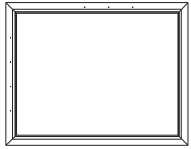
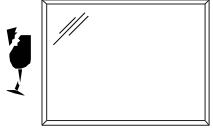

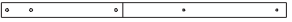


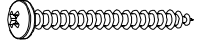



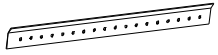
VN

06/18

2171AST Ellison Rectangular Mirror

Parts List

Please identify the parts and check that quantities received match those on this list.
If you need to replace a part, refer to the following letter and part name.

Part	Description		Quantity
A	Mirror Assembly		1
B	Mirror Frame		1
C	Mirror (attached)		1
D	Mirror Retainer (attached)		4
E	Mirror Support		2
F	#6 x 3/4" Brass Flat Head Screw (inserted)		4
G	#6 x 5/8" Philtruss Screw (inserted)		12
H	#8 x 1-3/4" Pan Head Screw		2
I	#7 x 1-1/2" Black Pan Head Screw		4
J	M4 x 41mm Machine Screw		4
K	Velvet Pad 50 x 50mm		3
L	Mirror Wall Bracket		2 (1 attached)

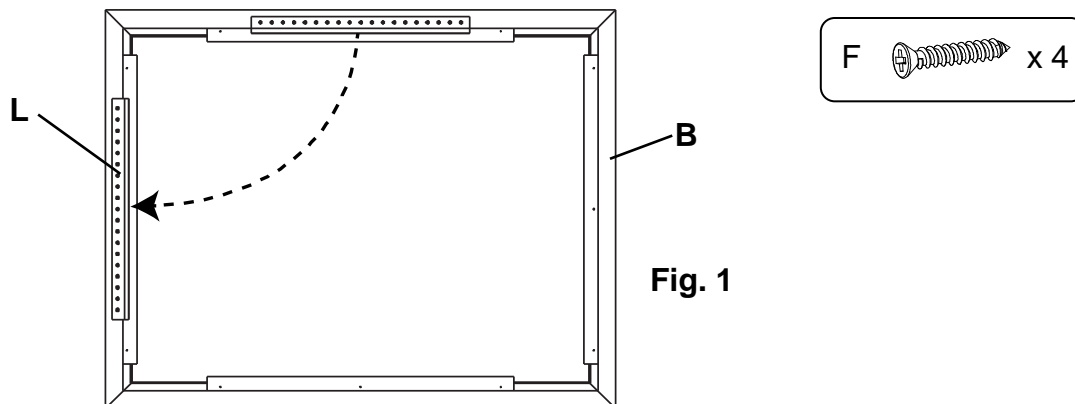
2171AST Ellison Rectangular Mirror

Assembly Instructions

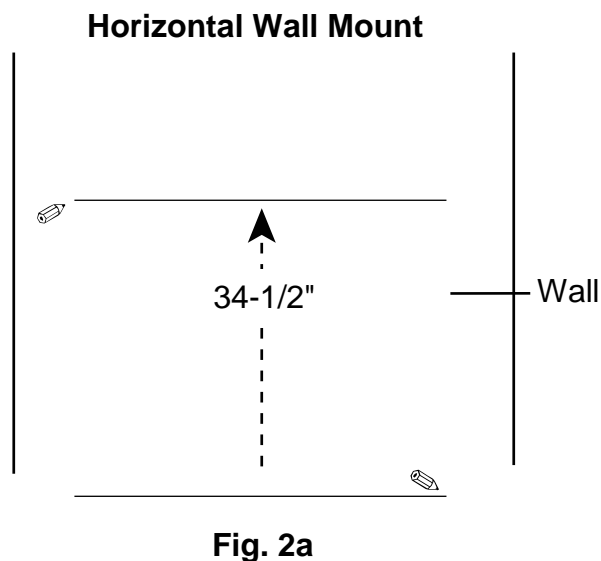
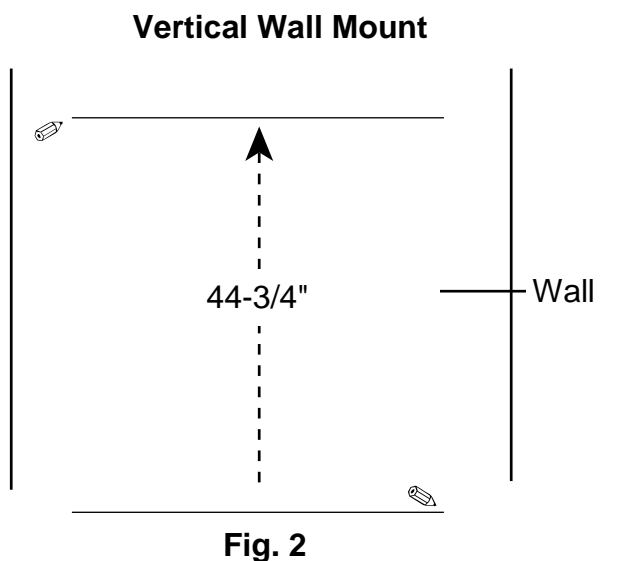
Tools Required: Phillips Screwdriver, Tape Measure, Pencil

You have the option of attaching your Mirror to the wall or to selected Ellison Dressers. To attach your Mirror to the wall, follow steps 1 – 4. To attach the Mirror horizontally to a compatible Ellison Dresser, follow steps 5 – 9.

1. Decide if you want your Mirror to hang either vertically or horizontally. If you want it to hang vertically, remove the Mirror Wall Bracket (L) and line it up to the predrilled holes on the short side of the Mirror Frame (B) as in Figure 1. Attach with four #6 x 3/4" Flat Head Screws (F).



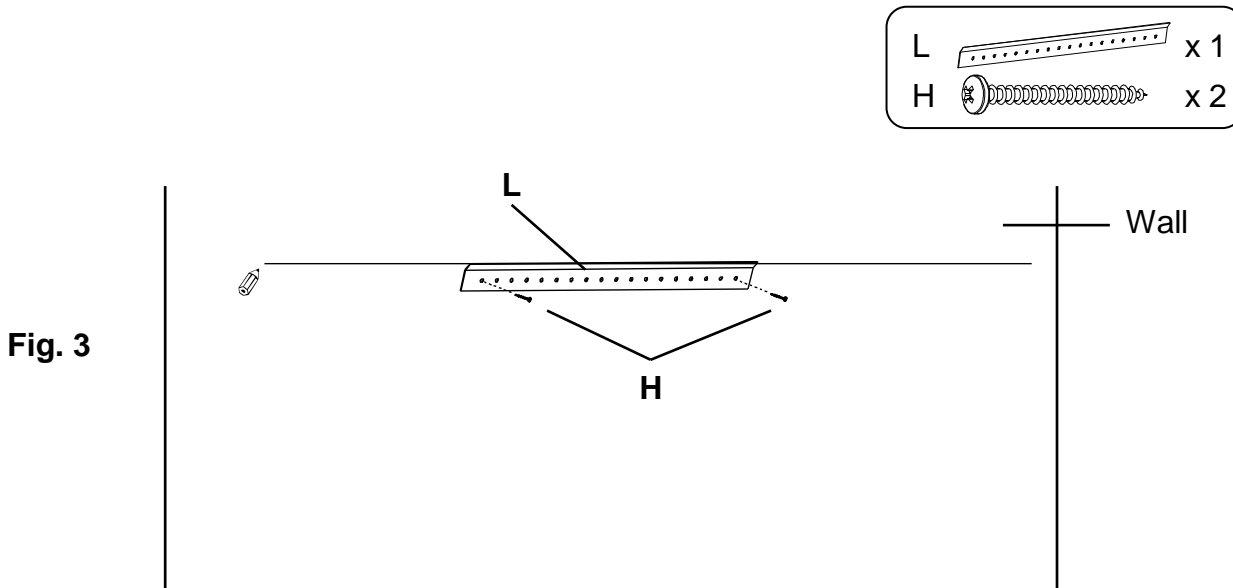
2. Determine where you want the bottom of your mirror to end and draw a faint pencil line on the wall. For a vertical placement, use a tape measure and measure up 44-3/4" from that mark. Draw a faint line. For a horizontal placement, measure up 34-1/2". Draw a faint line. The top line is where you attach the Mirror Wall Bracket (L). If you like, you can erase the faint bottom pencil mark. See Figures 2 and 2a.



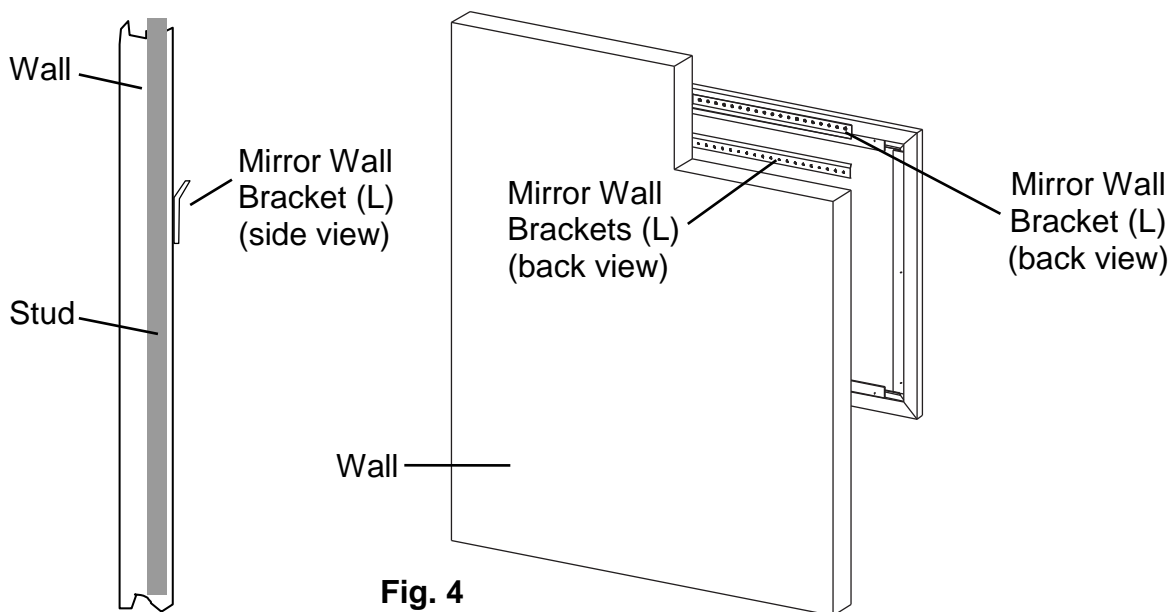
2171AST Ellison Rectangular Mirror

Assembly Instructions

3. Locate two studs in the wall behind the space where you want to hang your Mirror. Affix the Mirror Wall Bracket (L) into the studs with two #8 x 1-3/4" Pan Head Screws (H). If you cannot locate two studs, purchase the proper wall attachment hardware for your type of wall and secure the bracket. See Figure 3.



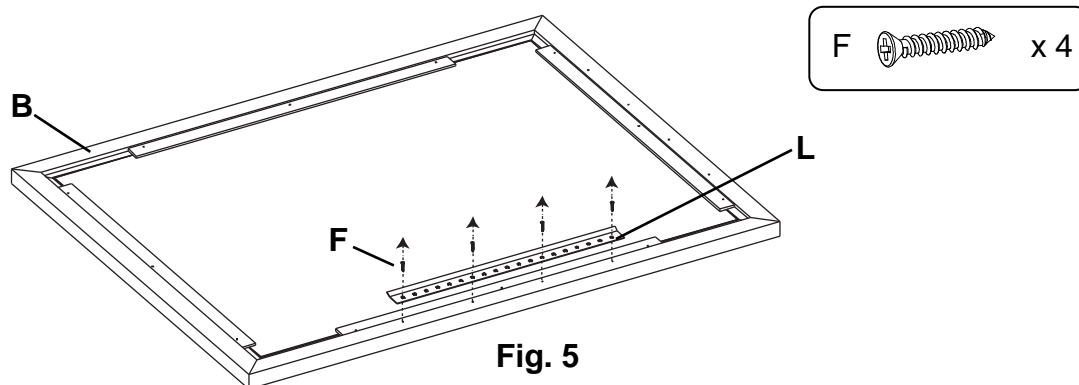
4. NOTE: The Mirror Wall Bracket (L) angles out at the top. When you hang your Mirror, the bracket that is attached to the back of the Mirror fits over the angled part of the Mirror Wall Bracket (L). See Figure 4.



2171AST Ellison Rectangular Mirror

Assembly Instructions

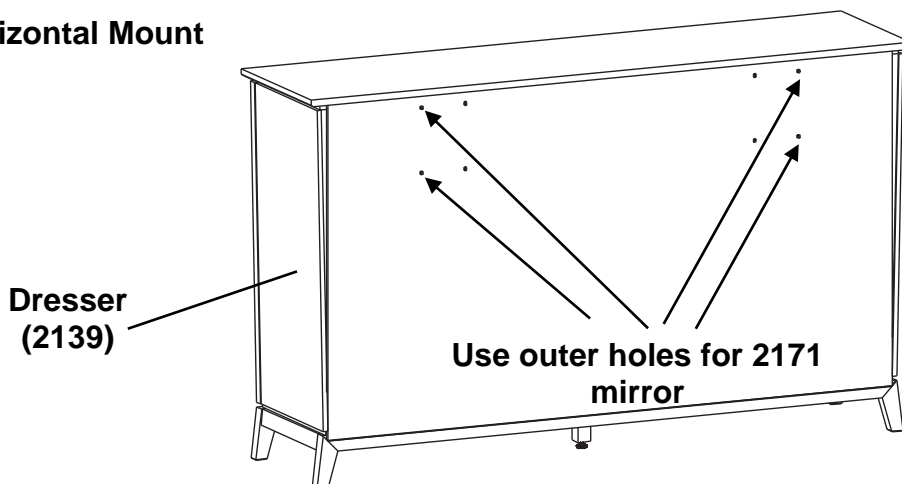
- To attach the Mirror to an Ellison Dresser, remove the Mirror Wall Bracket (L) that is attached to the Mirror Frame (B) as shown in Figure 5. Keep these Mirror Wall Brackets (L) and the four #6 x 3/4" Flat Head Screws (F) if in the future, you will want to mount the Mirror to the wall.



Note: to attach the Mirror either horizontally or vertically to Dresser Model #s 2137, 2138, or 2139 see steps 6-10. To attach vertically onto dresser Model # 2136 see steps 11- 12

- To attach the Mirror horizontally to **dresser model #2137, 2138, 2139** use the predrilled outer holes in the back as noted in Figure 6.

Horizontal Mount



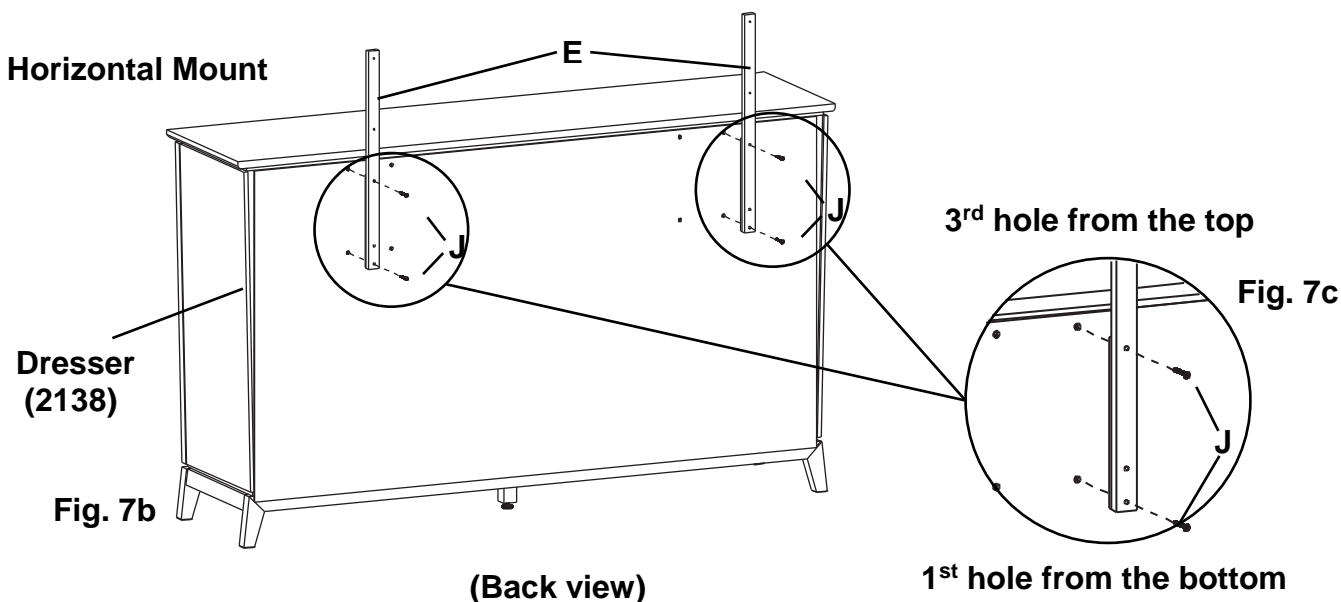
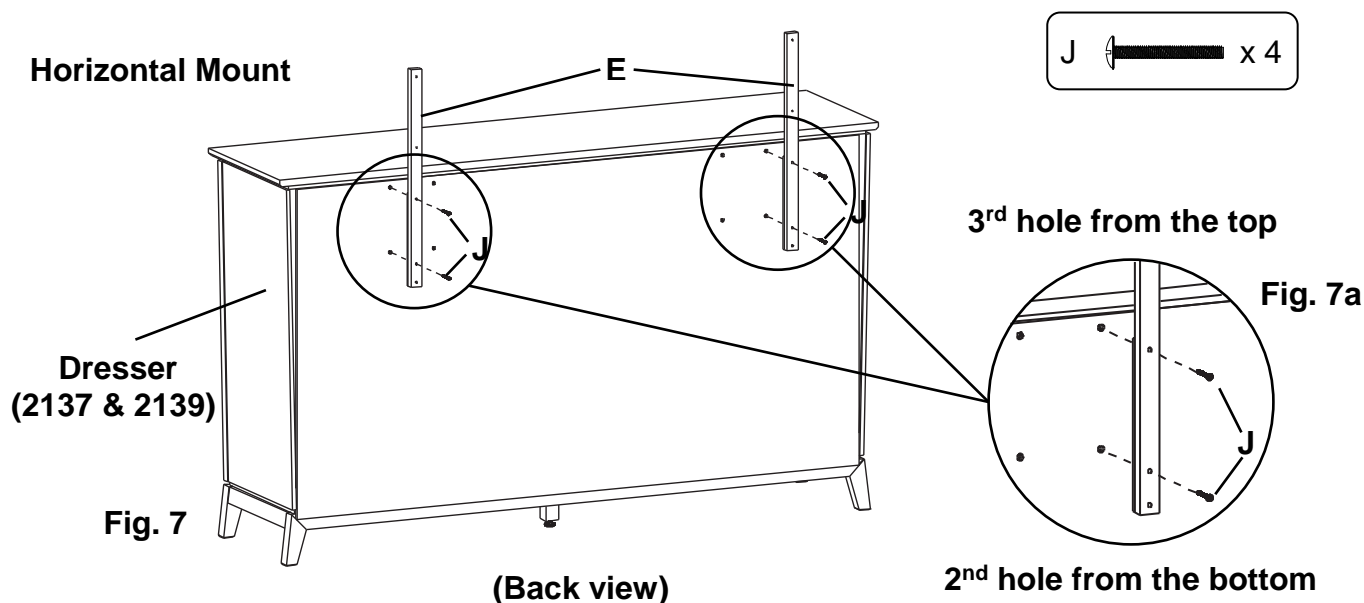
2171AST Ellison Rectangular Mirror

Assembly Instructions

7. Using the predrilled holes on the back of the Dresser as guides, attach the two Mirror Supports (E) with four M4 x 41 Machine Screws (J).

For Dresser (#2137 & #2139), The upper screws will be inserted into the 3rd hole from the top and the lower screws will be inserted into the 2nd hole from the bottom of the Mirror Supports. See Figures 7 and 7a.

For Dresser (#2138), The upper screws will be inserted into the 3rd hole from the top and the lower screws will be inserted into the 1st hole from the bottom of the Mirror Supports. See Figures 7b and 7c.



2171AST Ellison Rectangular Mirror

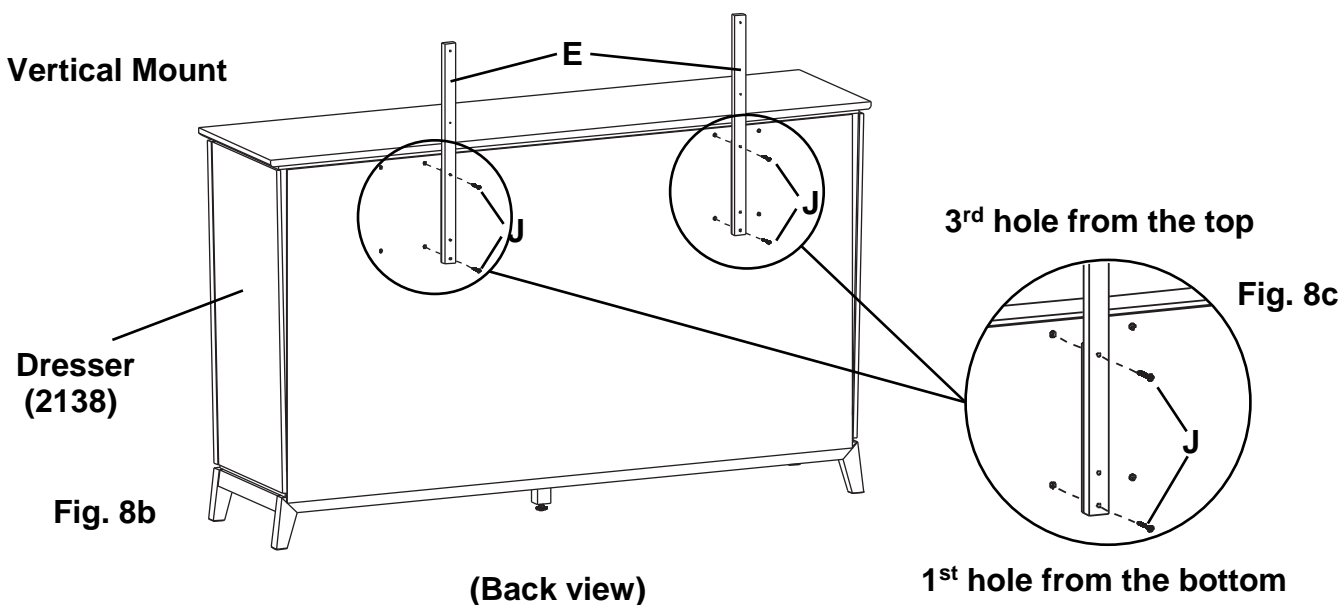
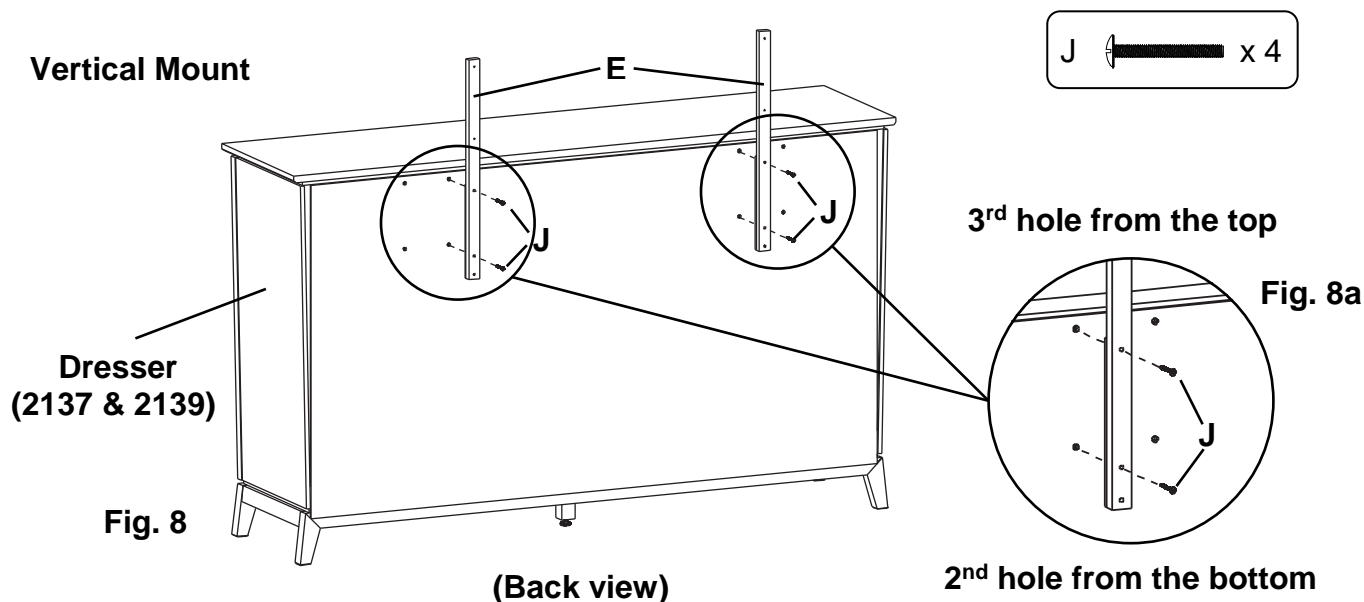
Assembly Instructions

8. Vertical Mount Option

Using the predrilled holes on the back of the Dresser as guides, attach the two Mirror Supports (E) with four M4 x 41 Machine Screws (J).

For Dresser (#2137 & #2139), The upper screws will be inserted into the 3rd hole from the top and the lower screws will be inserted into the 2nd hole from the bottom of the Mirror Supports. See Figures 8 and 8a.

For Dresser (#2138), The upper screws will be inserted into the 3rd hole from the top and the lower screws will be inserted into the 1st hole from the bottom of the Mirror Supports. See Figures 8b and 8c.

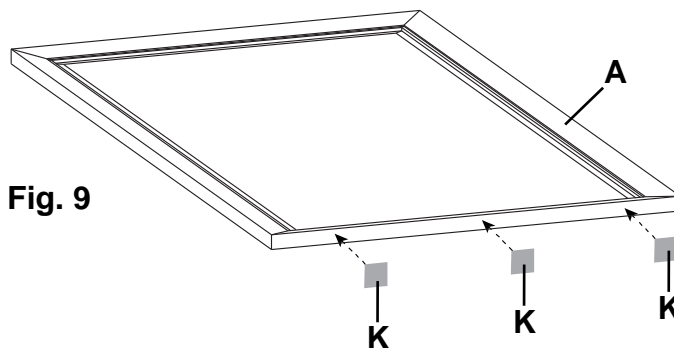


2171AST Ellison Rectangular Mirror

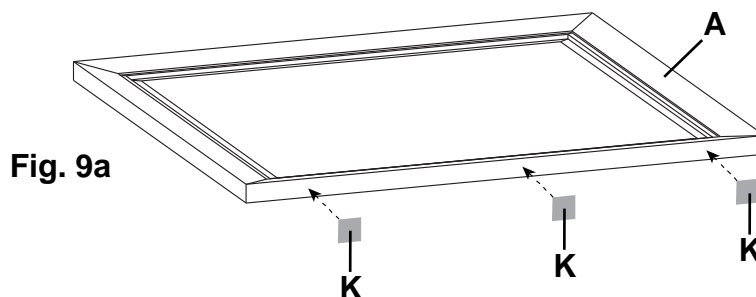
Assembly Instructions

9. Peel off the backing on the Velvet Pads (K) and apply them to the bottom of the Mirror Assembly (A). See Figures 9 and 9a.

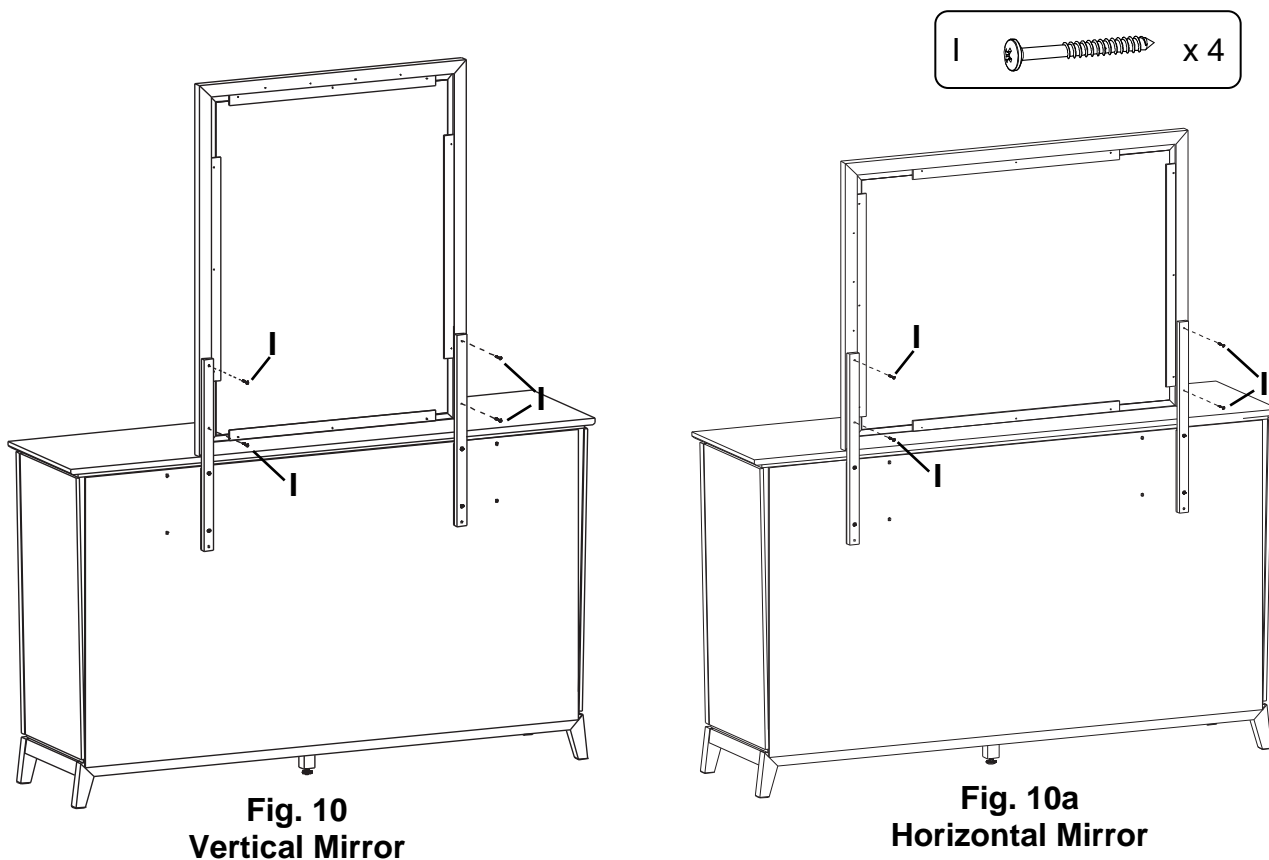
Vertical Mirror



Horizontal Mirror



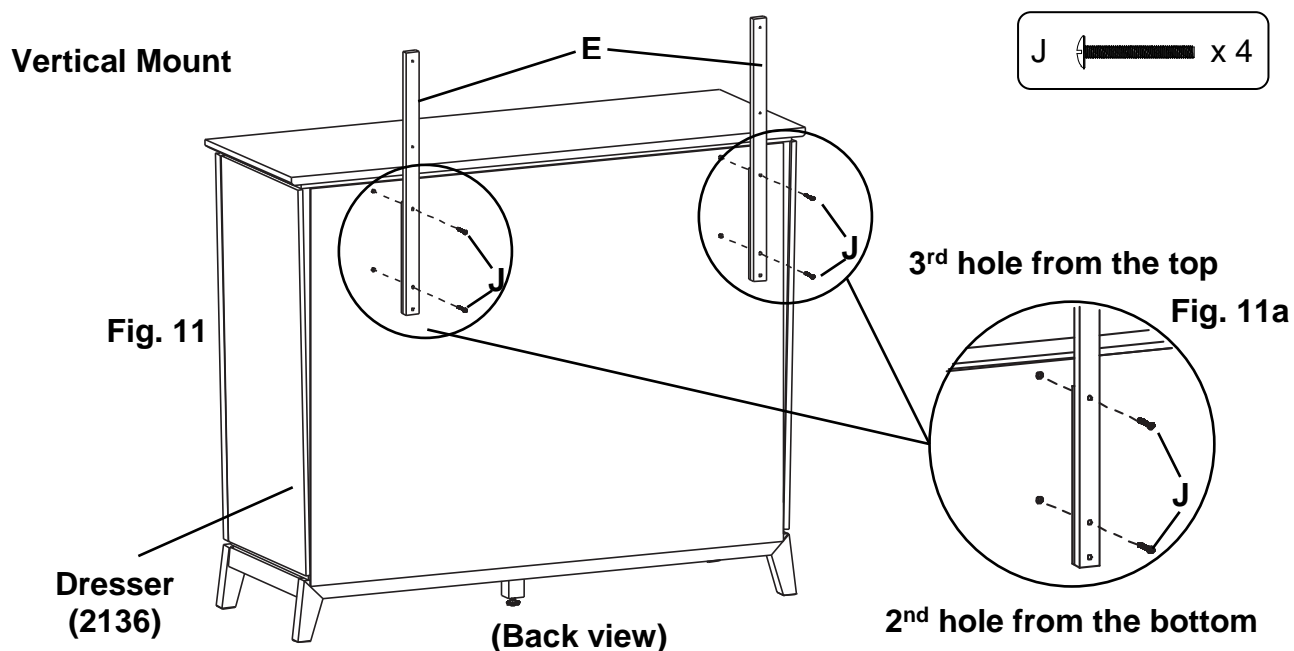
10. Place the Mirror on top of the Dresser and attach it to the Mirror Supports (E) with four #7 x 1-1/2" Black Pan Head Screws (I). See Figures 10 and 10a.



2171AST Ellison Rectangular Mirror

Assembly Instructions

11. To attach the Mirror vertically to #2136 Dresser, use the predrilled holes in the back of the dresser as guides. See Figures 11 and 11a. Attach the two Mirror Supports (E) with four M4 x 41 Machine Screws (J). The upper screws will be inserted into the 3rd hole from the top and the lower screws will be inserted into the 2nd hole from the bottom of the Mirror Supports. See Figures 11 and 11a.



12. Peel off the backing on the Velvet Pads (K) and apply them to the bottom of the Mirror Assembly (A). See Figure 12. Place the Mirror on top of the Dresser and attach it to the Mirror Supports (E) with four #7 x 1-1/2" Black Pan Head Screws (I). See Figure 12a.

