

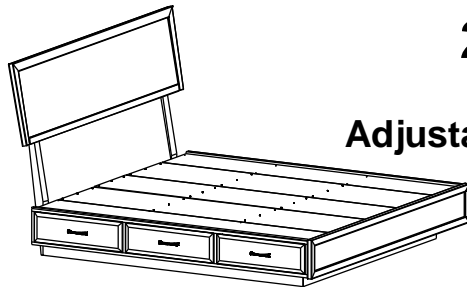
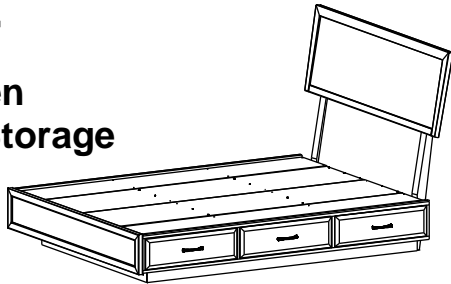
Ellison Adjustable Storage Beds

AST = Astoria Sky finish

Assembly Instructions

Model #

2235AST Ellison Queen Adjustable Storage Bed



2237AST Ellison King Adjustable Storage Bed

Thank you for allowing us to help you furnish your home. We are certain you will be delighted with your new furniture for many years to come.

IMPORTANT NOTES:

- For normal household use only. *Not* recommended for commercial use.
- Remove items before you move this unit.
- Do not overload the drawers.
- This assembly requires two people.

WARNING

Drilling, sawing, sanding or machining wood products can expose you to wood dust, a substance known to the state of California to cause cancer. Avoid inhaling wood dust or use a dust mask or other safeguards for personal protection.

For more information go to: www.p65warnings.ca.gov/wood

This product can expose you to chemicals, including formaldehyde, which are known to the State of California to cause cancer.

For more information go to: www.p65warnings.ca.gov/furniture

DESIGN SUBJECT TO CHANGE WITHOUT NOTICE.

CUSTOMER SERVICE

If you ever have questions about your furniture, please do not hesitate to contact us. In the unlikely event you need a replacement part; we can make those parts available through an authorized Whittier Wood Furniture dealer. If you cannot order replacement parts through your dealer, please contact our customer service department.

Hours: Our friendly customer service staff can be reached:

Monday-Friday 8:00 a.m. to 5:00 p.m. (Pacific Time).

You may leave a message 24 hours a day, seven days a week.

Customer Service: 800-653-3336 • **Outside the U.S.:** 541-687-0213

Fax: 541-687-2060 • **Email:** info@whittierwood.com

**Whittier
Wood**
FURNITURE

P.O. Box 2827
Eugene, OR 97402 USA

Production Code:

VN

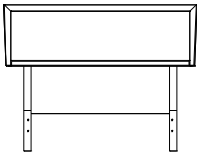
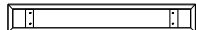


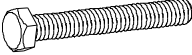




06/18

2235AST Ellison Queen Adjustable Storage Bed
2237AST Ellison King Adjustable Storage Bed
Parts List

**Please note this Assembly Instruction is for either the Ellison Queen Adjustable Storage Bed (2235) or the Ellison King Adjustable Storage Bed (2237).
 The Parts list for each headboard follows on pages 2 and 3.**

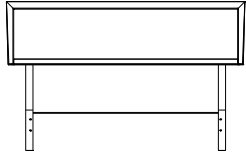
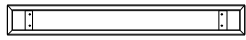


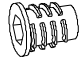
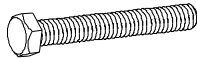
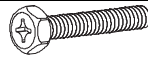
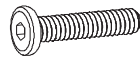


Please identify the parts and check that quantities received match those on this list.
 If you need to replace a part, refer to the following letter and part name.

2236AST
Ellison Queen Adjustable Headboard/Footboard Kit (x1)

Part	Description	Quantity
A	Headboard Assembly 	1
B	Footboard Assembly 	1
L	#8 x 1-1/4" Black Screw 	24
Y	5/16" x 14mm Insert Nut (inserted) 	12
ZE	5/16" x 2-1/4" Hex Bolt 	6
ZF	5/16" x 35mm Hex Bolt 	18
ZG	5/16" x 35mm Bolt (inserted) 	4
ZH	Z Hex Wrench 5mm (attached to the right leg) 	1
ZI	1/4" Flat Washer 	24

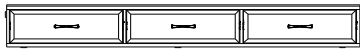
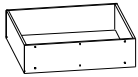
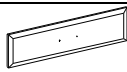




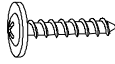
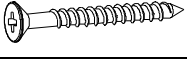
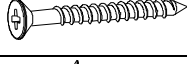


2235AST Ellison Queen Adjustable Storage Bed
2237AST Ellison King Adjustable Storage Bed
Parts List

2238AST
Ellison King Adjustable Headboard/Footboard Kit (x1)

Part	Description		Quantity
A	Headboard Assembly		1
B	Footboard Assembly		1
C	Center Deckboard		1
L	#8 x 1-1/4" Black Screw		36
Y	5/16" x 14mm Insert Nut (inserted)		12
ZE	5/16" x 2-1/4" Hex Bolt		6
ZF	5/16" x 35mm Hex Bolt		18
ZG	5/16" x 35mm Bolt (inserted)		4
ZH	Z Hex Wrench 5mm (attached to right leg)		1
ZI	1/4" Flat Washer		24


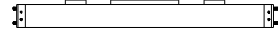



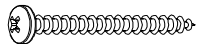


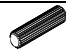


2235AST Ellison Queen Adjustable Storage Bed
2237AST Ellison King Adjustable Storage Bed
Parts List

2219AST
Ellison Queen/King Pedestal Kit (x2)

Part	Description	Quantity
D	Pedestal 	1
E	Drawer Box (assembled) 	3
F	Drawer Face (attached) 	3
G	Left/Right Center Deckboard 	1
H	20" Drawer Slides (installed) 	3 sets
I	#6 x 3/4" Philtruss Screw (inserted) 	18
J	#6 x 1/2" Philtruss Screw (inserted) 	18
K	#8 x 7/8" Black Lo-Profile Screw (inserted) 	18
L	#8 x 1-1/4" Black Screw (inserted) 	8
M	#8 x 1-5/8" Black Screw (inserted) 	24
N	#8 x 1-5/8" Machine Screw Tuscan (installed) 	6
P	Antique Pewter Pull (attached) 	3

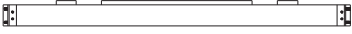

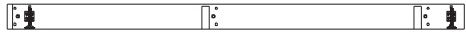

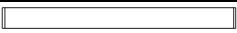
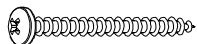
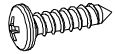
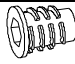



2235AST Ellison Queen Adjustable Storage Bed
2237AST Ellison King Adjustable Storage Bed
Parts List

2221AST
Ellison Queen Base Kit (x1)

Part	Description	Quantity
Q	Mitered End Support 	1
R	Square End Support 	2
S	Left Support 	1
T	Right Support 	1
U	Queen Trestle Rail (15-1/8") 	4
W	#8 x 1-3/4" Pan Head Screw (inserted) 	12
X	#10 x 3/4" Pan Head Screw (inserted) 	16
Y	5/16" x 14mm Insert Nut (inserted) 	18
ZA	Wood Dowel (inserted) 	12
ZB	Foot Bracket (attached) 	4
ZC	Adjustable Glide (installed) 	4

2235AST Ellison Queen Adjustable Storage Bed
2237AST Ellison King Adjustable Storage Bed
Parts List

2224AST
Ellison King Base Kit (x1)

Part	Description	Quantity
Q	Mitered End Support 	1
R	Square End Support 	2
S	Left Support 	1
T	Right Support 	1
V	King Trestle Rail (31-1/4") 	4
W	#8 x 1-3/4" Pan Head Screw (inserted) 	12
X	#10 x 3/4" Pan Head Screw (inserted) 	16
Y	5/16" x 14mm Insert Nut (inserted) 	18
ZA	Wood Dowel (inserted) 	12
ZB	Foot Bracket (attached) 	4
ZC	Adjustable Glide (installed) 	4

2235AST Ellison Queen Adjustable Storage Bed 2237AST Ellison King Adjustable Storage Bed

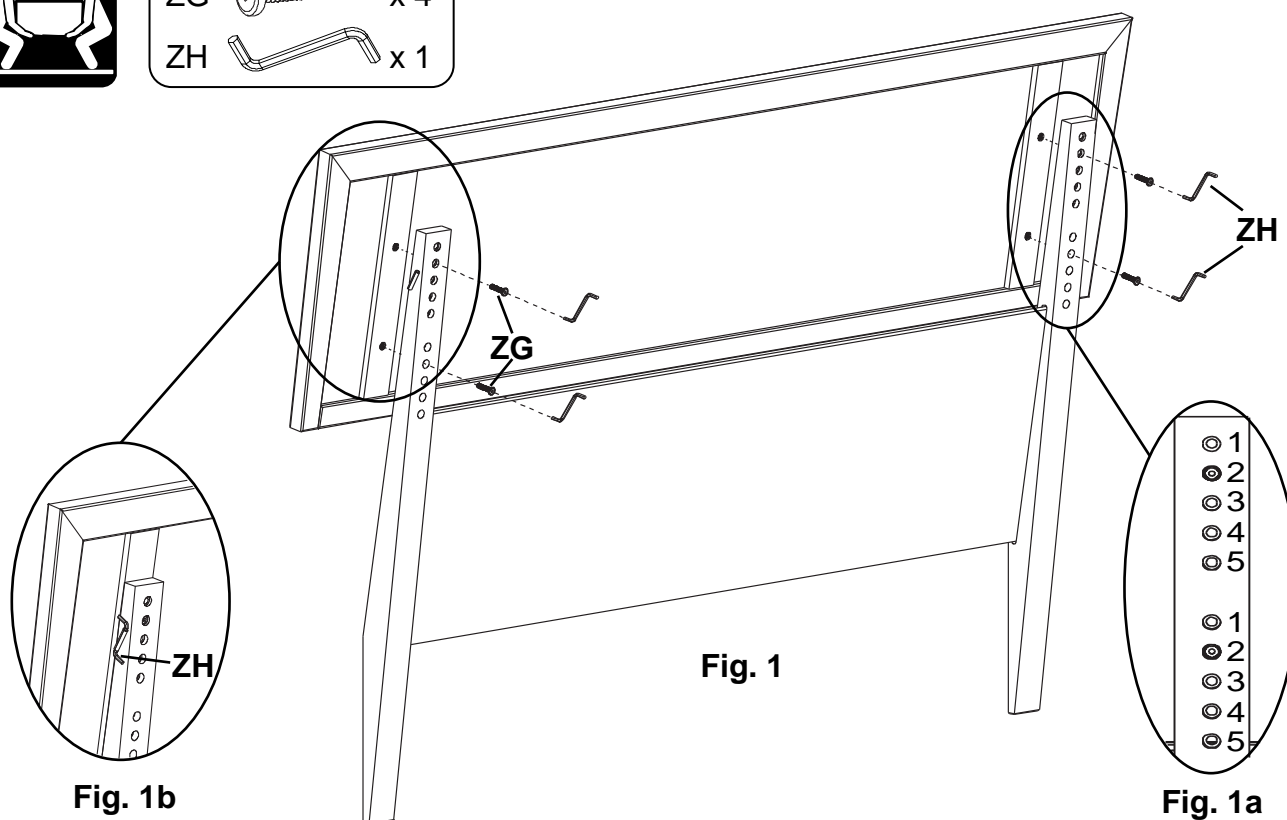
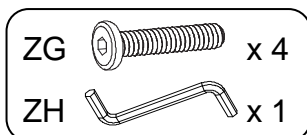
Assembly Instructions

This assembly requires two people.

Tools Required: Phillips screwdriver, 1/2" open end or box end wrench, Tape measure and Z Hex Wrench which is attached to the back right leg of the Headboard. See Figure 1b.

- The Headboard for this bed is adjustable. It can be raised or lowered depending on the thickness of your mattress. The holes for adjusting the height are numbered on the back of the headboard legs. The chart below provides suggested settings based on the thickness of your mattress. It also lists the overall height of the headboard at each setting. You may choose a different setting for a variety of reasons. Individual preference, the number and thickness of pillows on your bed, or the presence of a window or artwork above the Headboard are some of the factors that might lead you to select a different setting than the one we have suggested. To adjust the setting of the headboard use the Hex wrench (ZH) provided to remove the 5/16" X 35mm Bolts (ZG) attaching the Headboard to the Legs of the Headboard. Reposition the Headboard so that the insert nuts in the back line up to the numbered holes that correspond to the height you desire. Reinsert the bolts. See Figures 1 and 1a.

Screw Position	Headboard Height	Approximate Mattress Thickness Range
1	51 3/8"	>16"
2	50 1/8"	15-16"
3	48 7/8"	13-15"
4	47 1/2"	11-13"
5	46 3/8"	<11"

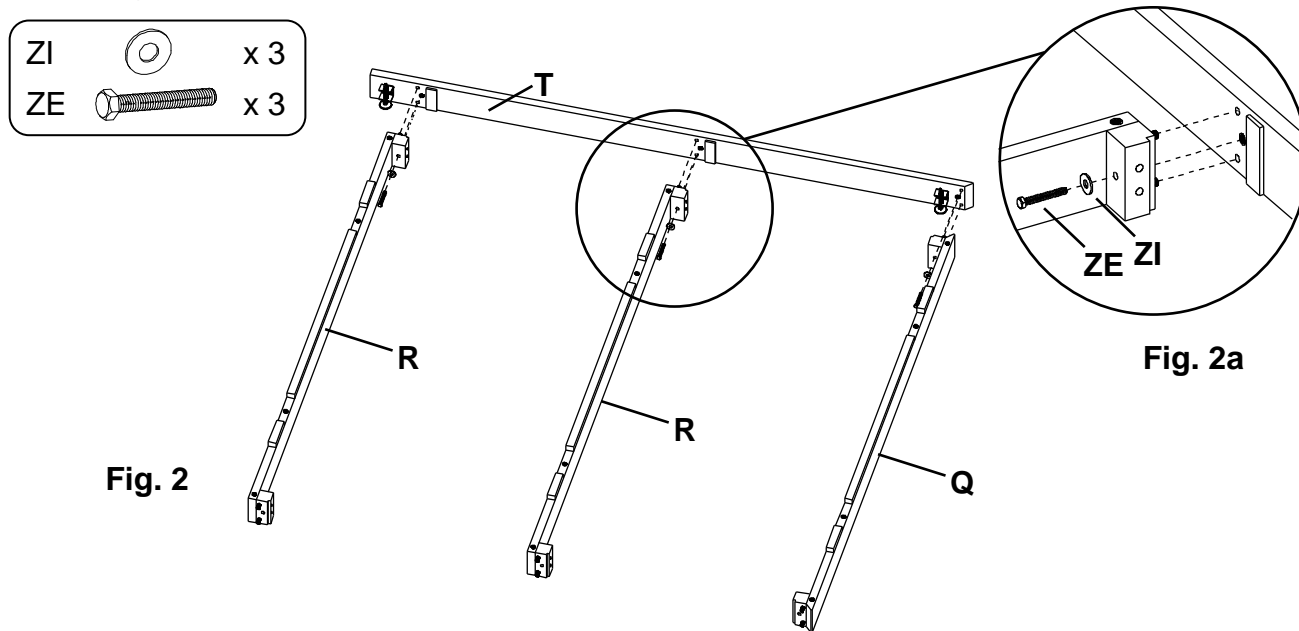


2235AST Ellison Queen Adjustable Storage Bed 2237AST Ellison King Adjustable Storage Bed

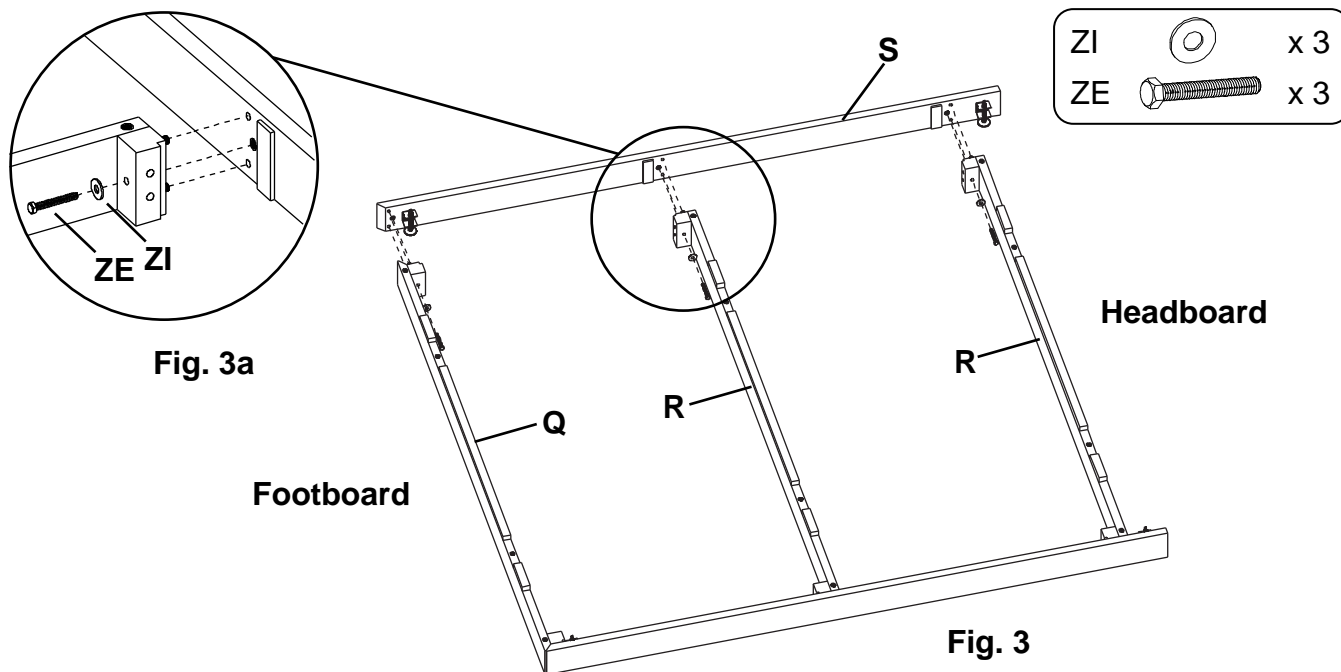
Assembly Instructions

This assembly requires two people.

- Lay out and identify the parts from the Queen (#2221) or King (#2224) Base Kit. Set aside Trestle Rail (U) (Queen) or Trestle Rail (V) (King) for use later in the assembly process. Use the notch and dowels on Square End Support (R) and Mitered End Support (Q) as a guide attach to the Right Support (T) using the Hex Bolts (ZE) and Washers (ZI) from the Headboard/Footboard Kit. See Figures 2 and 2a.



- Attach the assembly to the Left Support (S) Using Hex Bolts (ZE) and Washers (ZI). See Figures 3 and 3a. Identify the Headboard end of the assembly and place near the final bed location. See drawing below.



2235AST Ellison Queen Adjustable Storage Bed 2237AST Ellison King Adjustable Storage Bed

Assembly Instructions

This assembly requires two people.

4. Place each pedestal on top of the base kit against the side of the locator blocks of the Base Kit. See Figure 4.

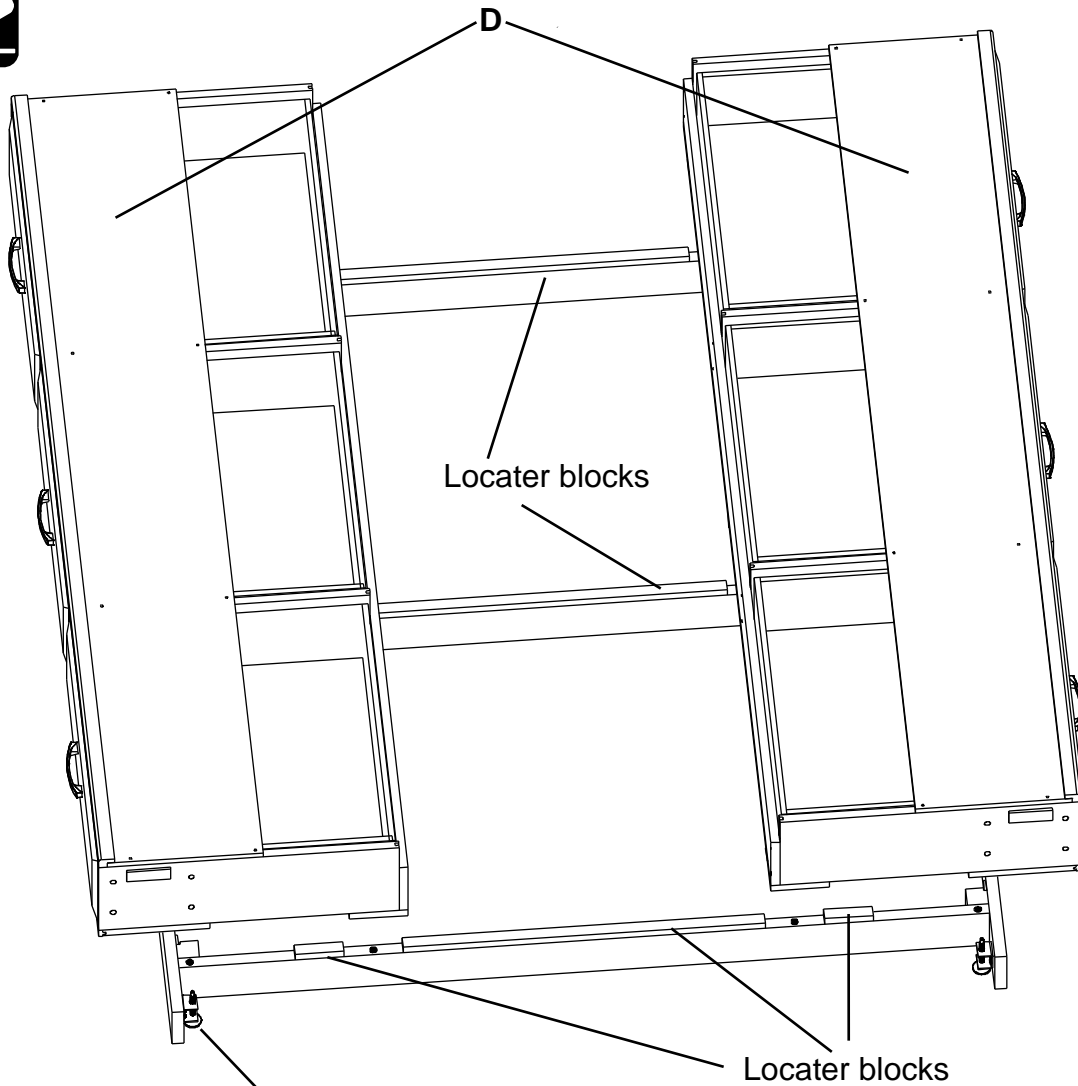


Fig. 4

Headboard end of Base
has leveler outside the
crosspiece

2235AST Ellison Queen Adjustable Storage Bed
2237AST Ellison King Adjustable Storage Bed
Assembly Instructions

This assembly requires two people.

5. Open the drawers and attach the pedestal to the base using Hex Bolts (ZF) and Washers (ZI) only finger tight. See Figures 5 and 5a.

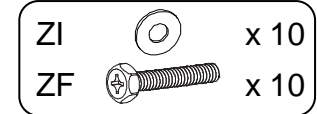
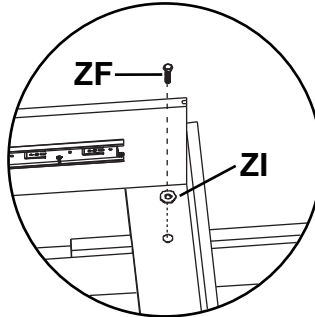


Fig. 5a

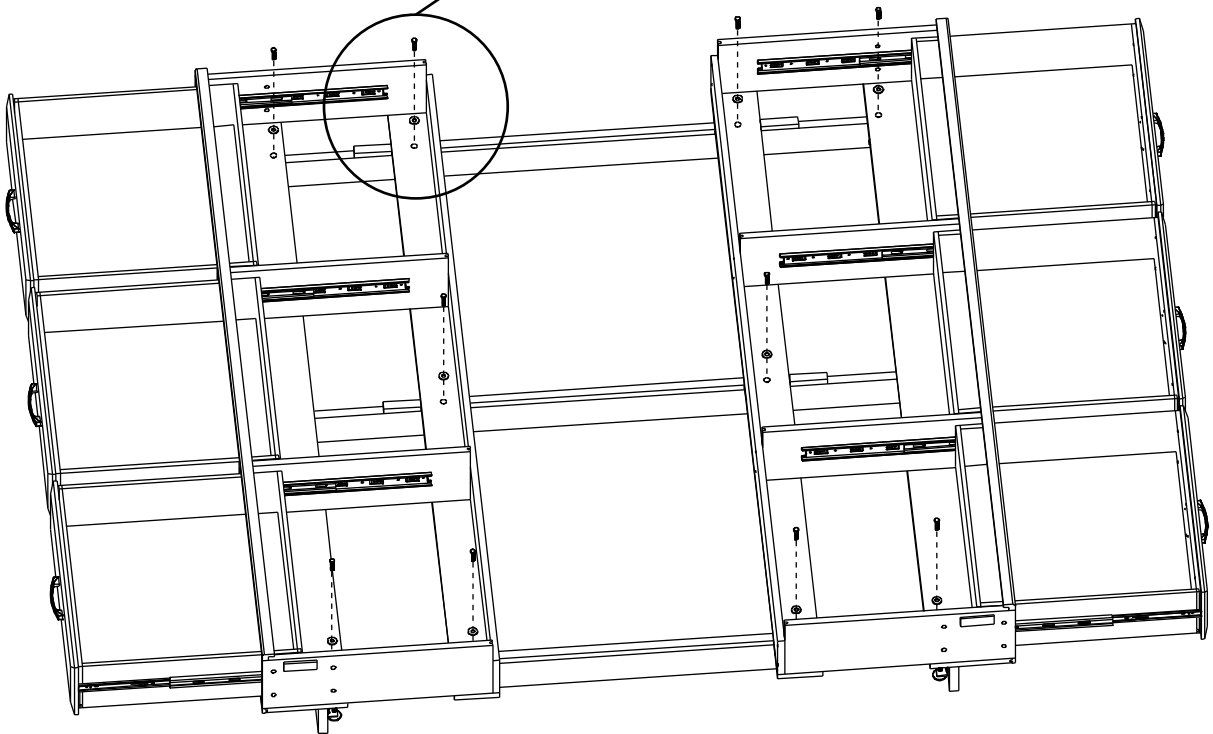


Fig. 5

(Notched Deckboards removed for illustration purposes)

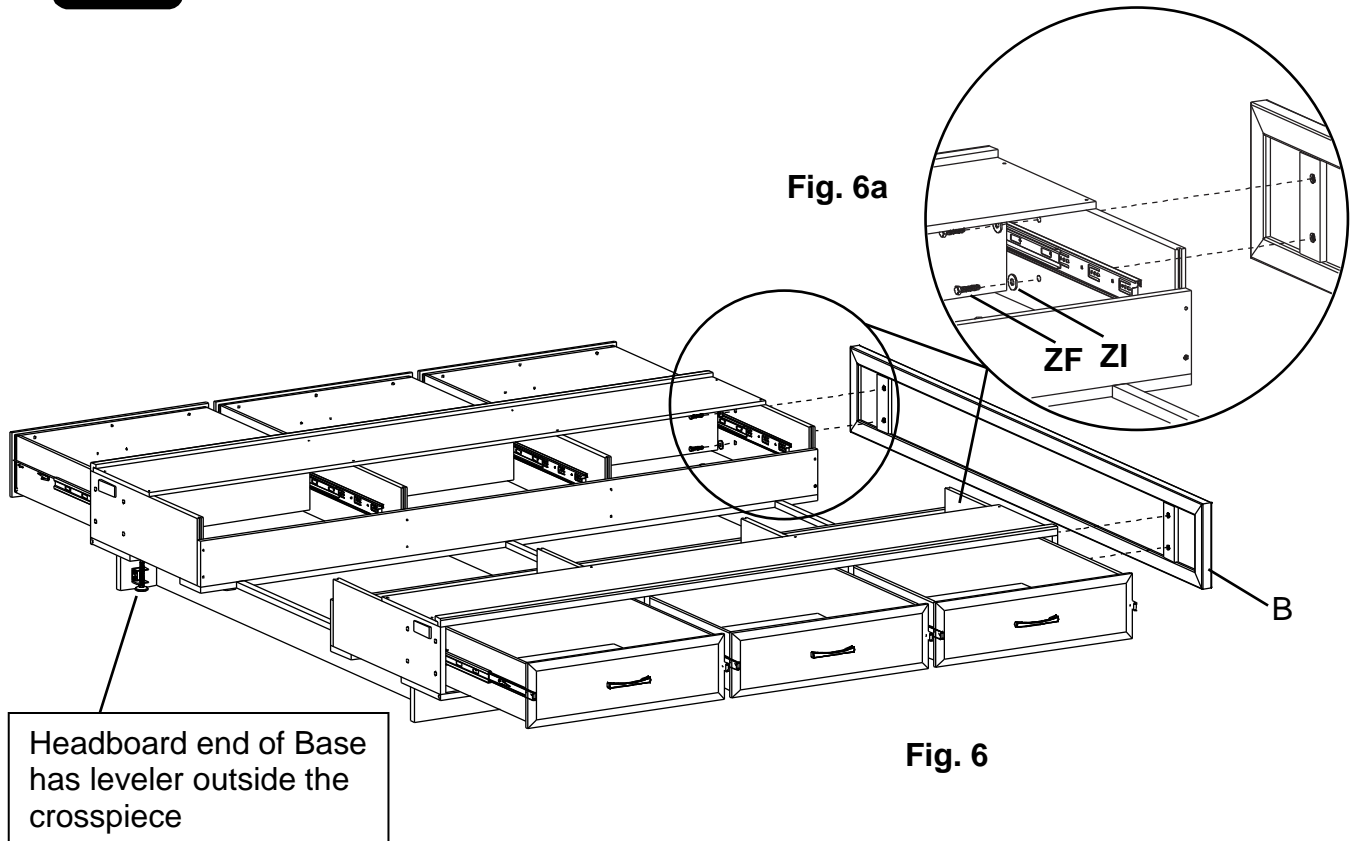
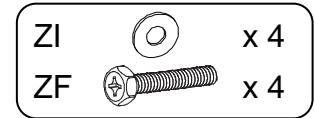
2235AST Ellison Queen Adjustable Storage Bed

2237AST Ellison King Adjustable Storage Bed

Assembly Instructions

This assembly requires two people.

6. NOTE: When attaching the Footboard to the Pedestal/Base assembly attach it at the end of the Base with the leveler behind the crosspiece. Attach the Footboard (B), with Hex Bolts (ZF) and Washers (ZI). See Figures 6 and 6a.



2235AST Ellison Queen Adjustable Storage Bed 2237AST Ellison King Adjustable Storage Bed

Assembly Instructions

This assembly requires two people.

7. Attach the Headboard (A) with Hex Bolts (ZF) and Washers (ZI). See Figures 7 and 7a.

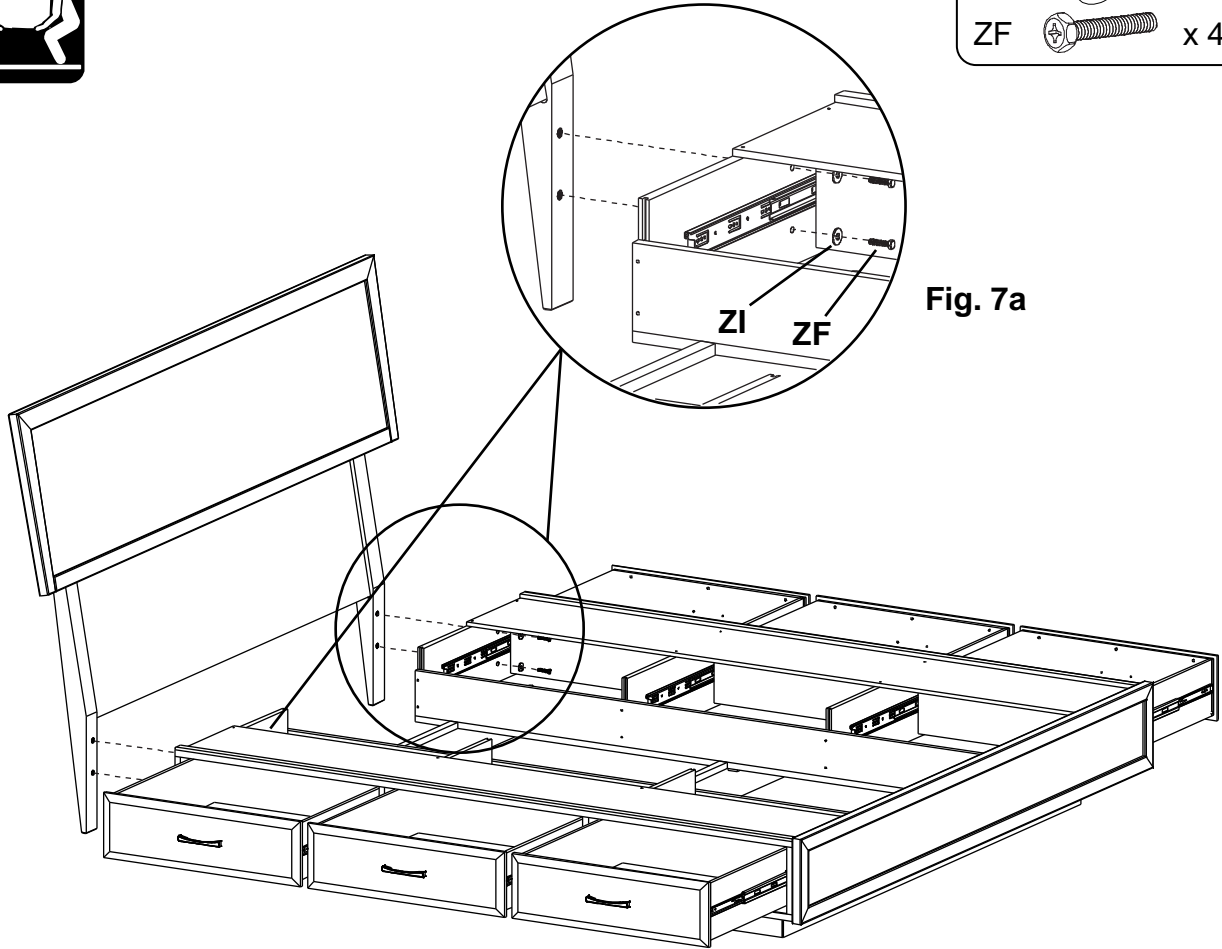
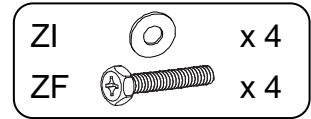


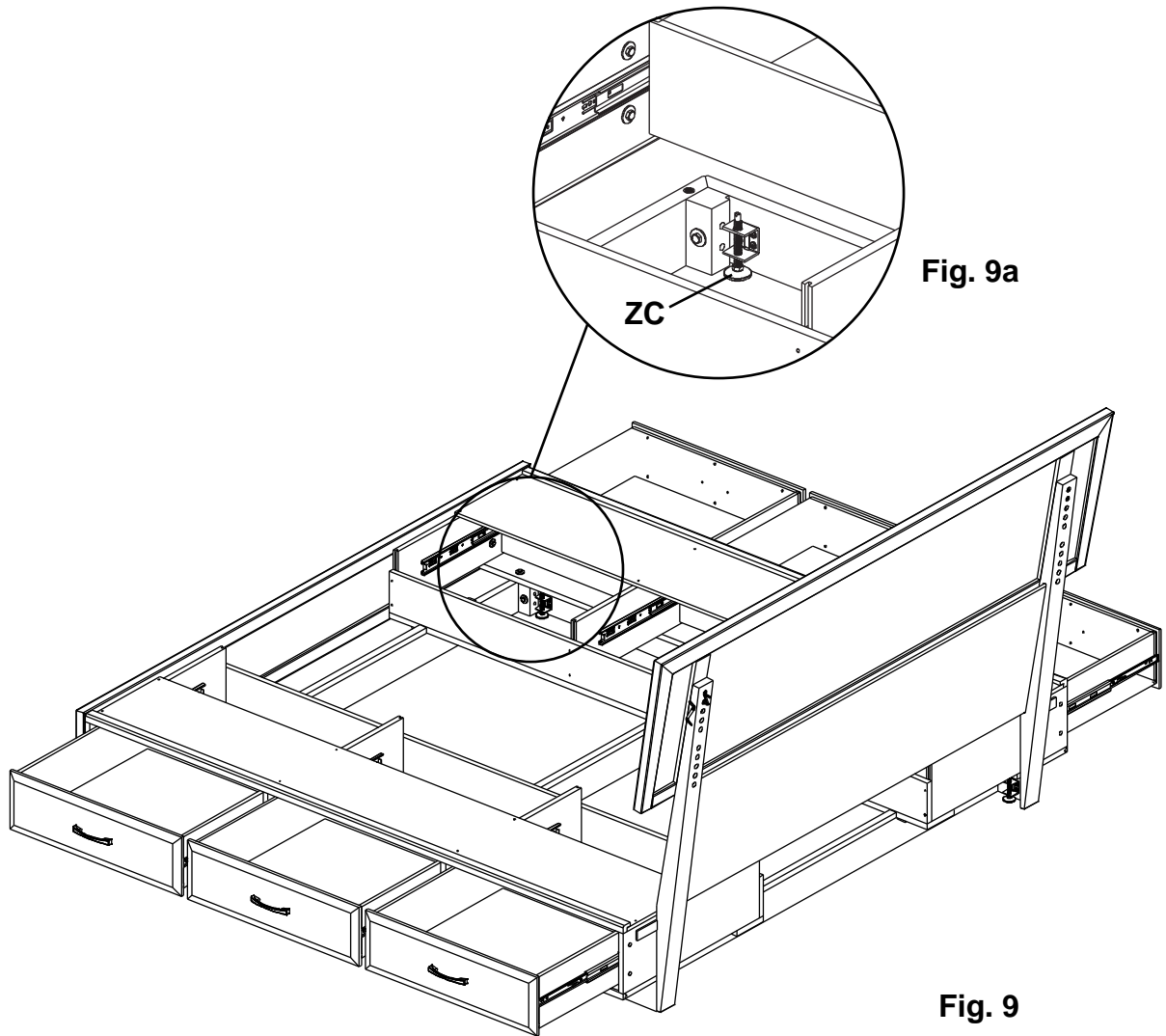
Fig. 7

2235AST Ellison Queen Adjustable Storage Bed 2237AST Ellison King Adjustable Storage Bed

Assembly Instructions

This assembly requires two people.

8. Once the Headboard and Footboard are attached, open all drawers and tighten Hex Bolts (ZF) and Washers (ZI) on the inside of the bed assembly.
9. Adjust levelers (ZC) only if floor is uneven or if bed has movement . See Figures 9 and 9a.

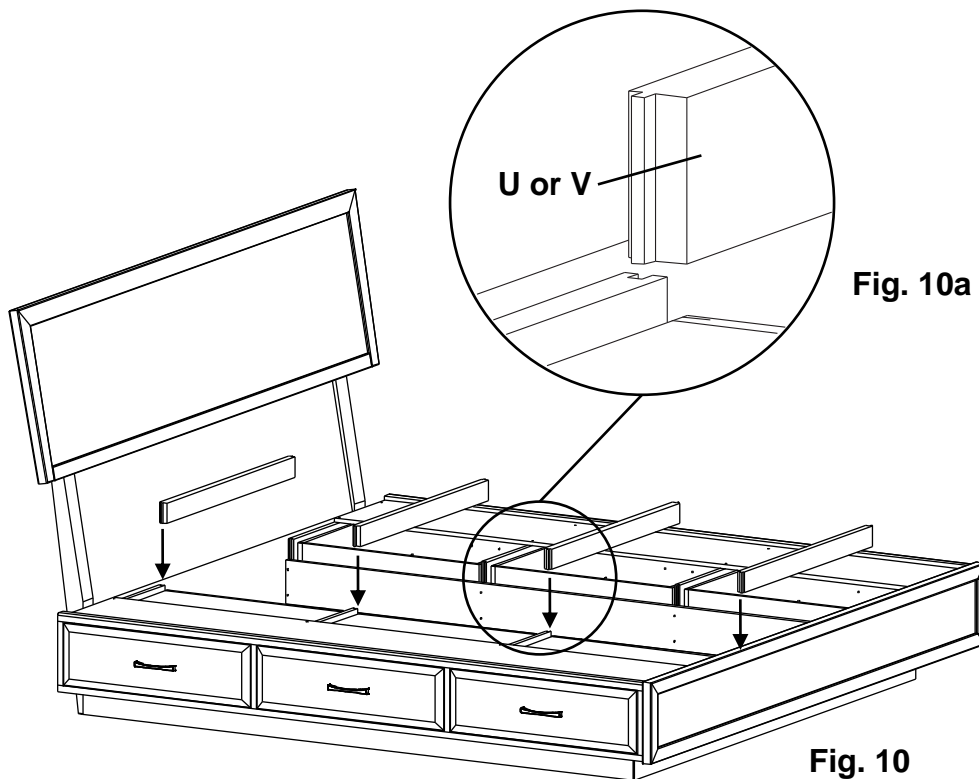


(Bottom Boards removed for illustration purposes)

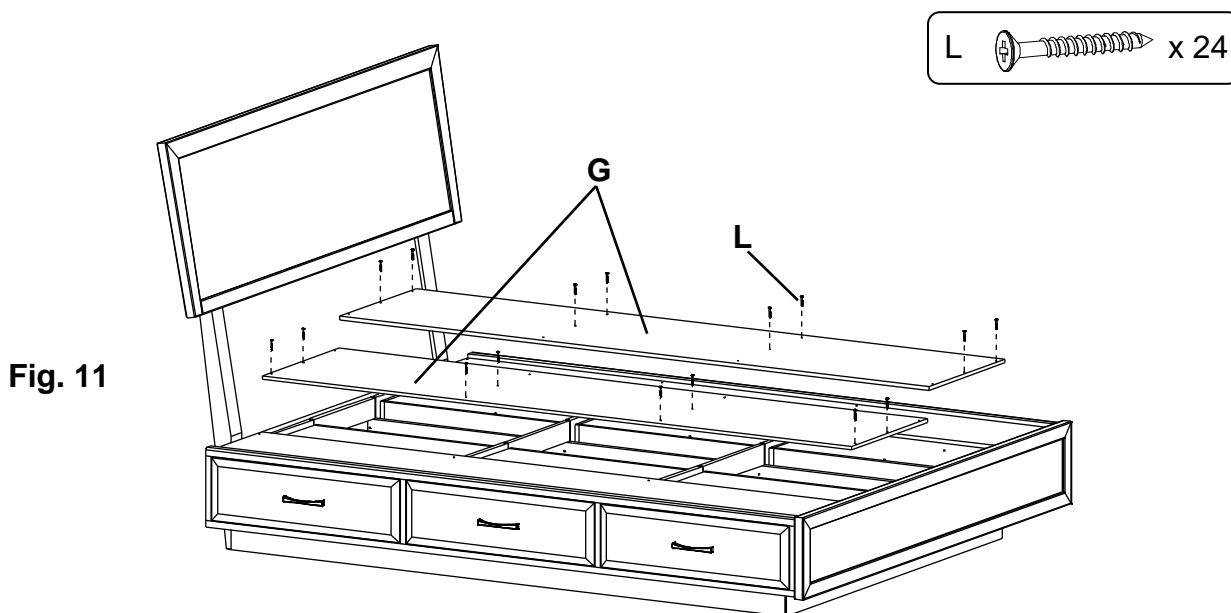
2235AST Ellison Queen Adjustable Storage Bed
2237AST Ellison King Adjustable Storage Bed
Assembly Instructions

This assembly requires two people.

10. Insert Queen Trestle Rail Supports (U) or King Trestle Rail Supports (V). See Figures 10 and 10a.



11. Place the Left/Right Center Deckboards (G) as shown in Figure 11 and secure with twenty-four #8x1-1/4" Black Screws (L). There should be a small gap between each deckboard. See Figure 11.



2235AST Ellison Queen Adjustable Storage Bed

2237AST Ellison King Adjustable Storage Bed

Assembly Instructions

This assembly requires two people.

Step 12 is for the Ellison King Adjustable Storage Bed (#2237)

12. Place the Center Deckboard (C) as shown in Figure 12 and secure with twelve #8 x 1-1/4" Black Screws (L). If you need to adjust the center feet, remove the Center Deckboard, adjust the glides and reattach the deckboard.

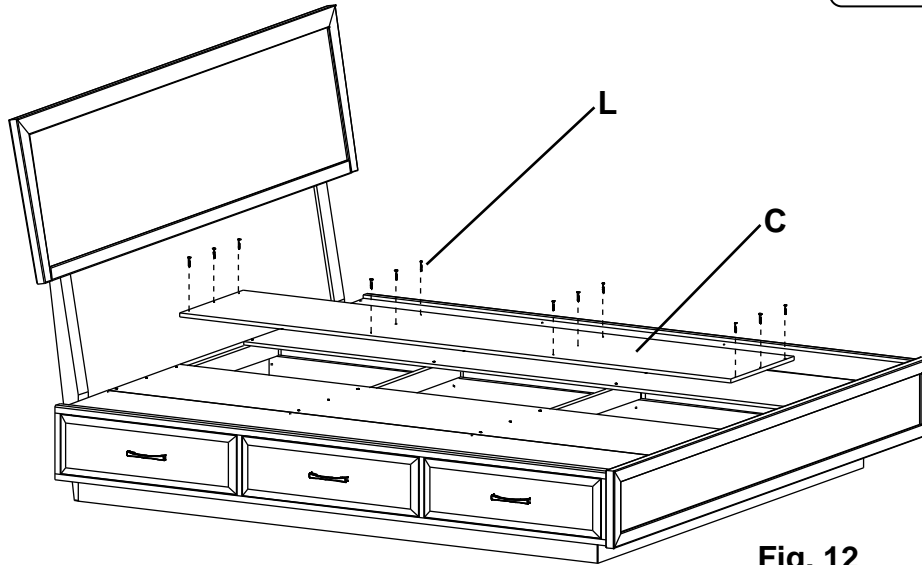


Fig. 12