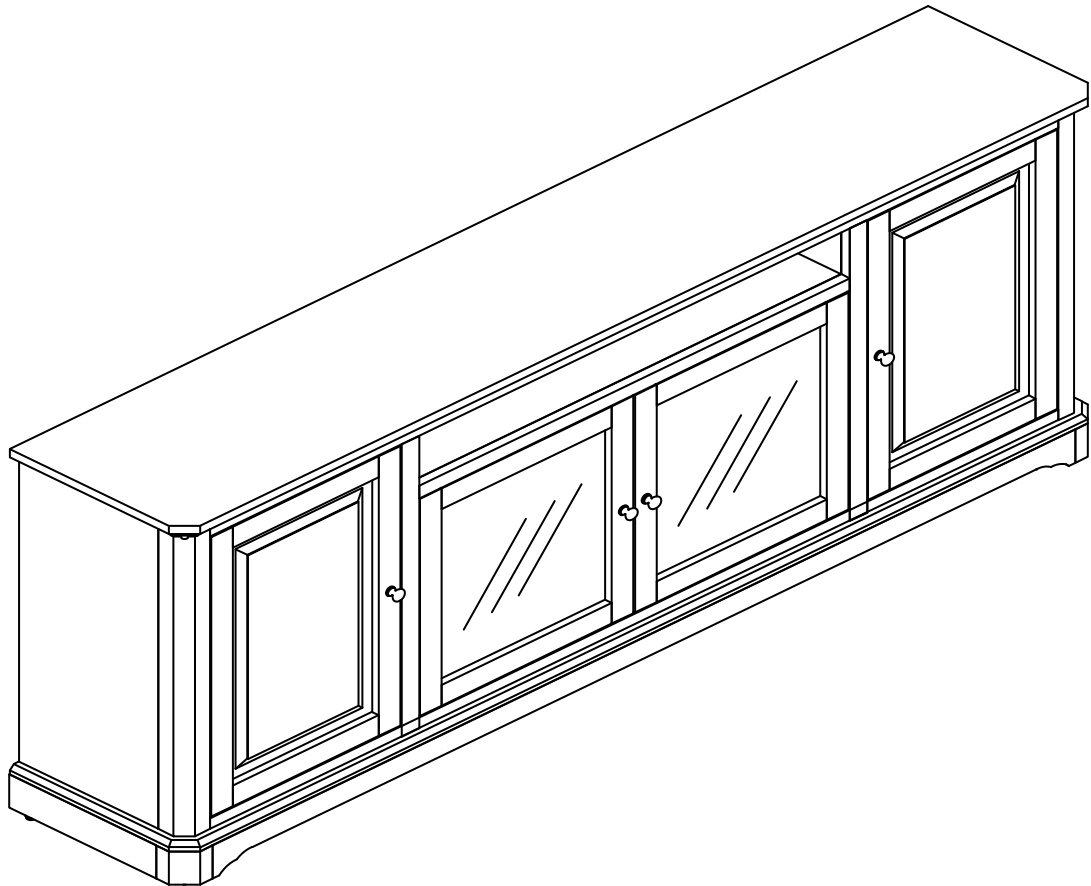


ASSEMBLY INSTRUCTIONS



Description : LENOX TV CENTER
Item No : TV-11A AND TV-11B

ITEM NO.: TV-11A AND TV-11B
REVISED OCT 31, 2018

Printed in Vietnam
THIS ITEM IS PACKED IN TWO CARTONS

BEFORE ASSEMBLY

Thank you for purchasing this quality product. This product has been designed for easy assembly and constructed for durability. All parts were checked prior to packaging to insure quality. Prior to beginning assembly, however, make sure all parts and hardware are included and free of obvious defect. If a part is missing or defective, please contact the store where purchased. If hardware is missing, or you need help with assembly, please call toll free 888-944-8396.

IMPORTANT NOTE:

- Place all wooden parts on a clean and smooth surface such as a rug or carpet to avoid the parts from being scratched.
- Remove all wrapping material, including staples & packing straps before you start to assemble.
- DO NOT tighten all screws and bolts until completely assembled.
- Keep all hardware parts out of reach of children.

WARNING:

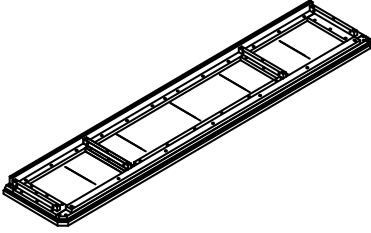
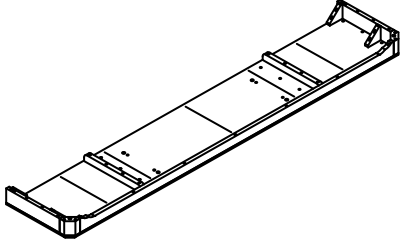
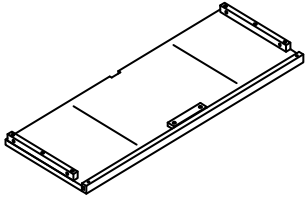
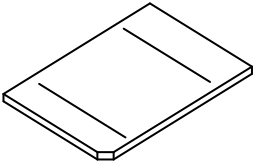
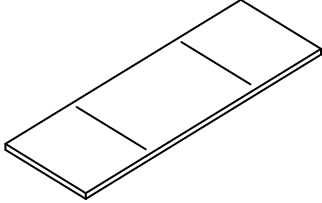
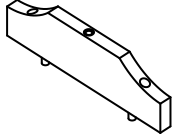
Long exposure to rubber or soft plastic may cause a chemical reaction and damage the finish of your product. Protect the surface of the product with cloth if you are using any product with rubber feet or base.

ASSEMBLY TOOLS REQUIRED NOT INCLUDED



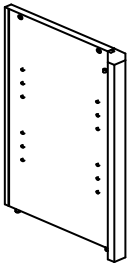
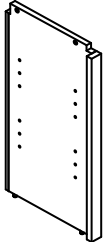
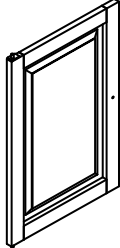
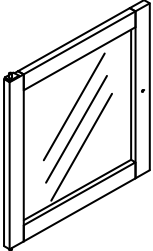
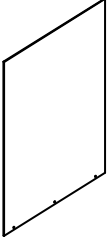
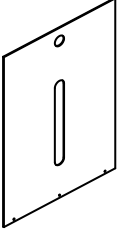
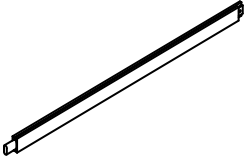
PART LIST TV-11A

When unpacking, please be careful not to discard any parts with the packaging. Before continuing, please make sure you have the following parts:

NO	Description	Qty	Sketch	NO	Description	Qty	Sketch
A	Top	1		B	Bottom panel	1	
C	Fixed Center shelf	1		D	Side Adjustable shelf	4	
E	Center Adjustable shelf	2		F	Leg	2	


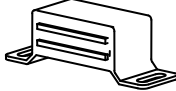

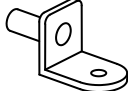

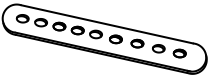


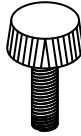


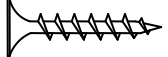
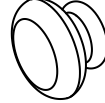
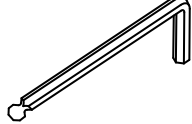

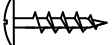
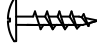
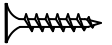
PART LIST TV-11B

When unpacking, please be careful not to discard any parts with the packaging. Before continuing, please make sure you have the following parts:

NO	Description	Qty	Sketch	NO	Description	Qty	Sketch
G	Side panel (L-R)	2		H	Vertical panel (L-R)	2	
I	Side Door (L-R)	2		J	Center Door (L-R)	2	
K	Side Back panel	2		L	Center Back panel (L-R)	2	
M	H - Connector	1					

HARDWARE LIST

When unpacking, please be careful not to discard any parts with the packaging. Before continuing, please make sure you have all of the following hardware:

NO	Description	Qty	Sketch	NO	Description	Qty	Sketch
1	Short Bolt (M6 x 35mm)	24		11	Magnet	4	
2	Long Bolt (M6 x 45mm)	4		12	Shelf support bracket	24	
3	Spring Washer (Φ6.5 x 11mm)	28		13	Steel band	2	
4	Large Flat Washer (Φ6.5 x 19mm)	24		14	Warning Label	4	<div style="border: 1px solid black; padding: 5px; width: fit-content;">WARNING! THIS ITEM IS PRONE TO SPILL. USE AVOID-SPILLING MEASURES (PROVIDED) TO SECURE TO THE WALL. DO NOT ALLOW CHILDREN TO CLIMB ON FURNITURE. PLEASE IMMEDIATELY CONTACT US IN LOWER DRAWING. DO NOT OPEN MORE THAN ONE DRAWER ON THE UNIT AT THE SAME TIME.</div>
5	Small Flat Washer (Φ6.5 x 13mm)	4		15	Leveler (M6 x 40mm)	6	
6	Door pin (Φ5.2/Φ13 x 1.2mm) (Φ7 x 10mm)	8		16	Wooden Knob (Φ38 x 30mm)	4	
7	Long Screw (M4 x 30mm)	3			METAL KNOB (Φ30 x 30mm) GOES WITH FINISHED ITEM ONLY.	4	
8	Allen key (M4 x 30mm x 110mm)	1		17	Long pan head screw *Metal knob: (M4x22mm) *Wooden knob: (M4x25mm)	4	
9	Short Pan head screw (M3.5 x 15mm)	12		18	Short Pan head screw (M3 x 15mm)	8	
10	Short Screw (M3.5 x 15mm)	29					

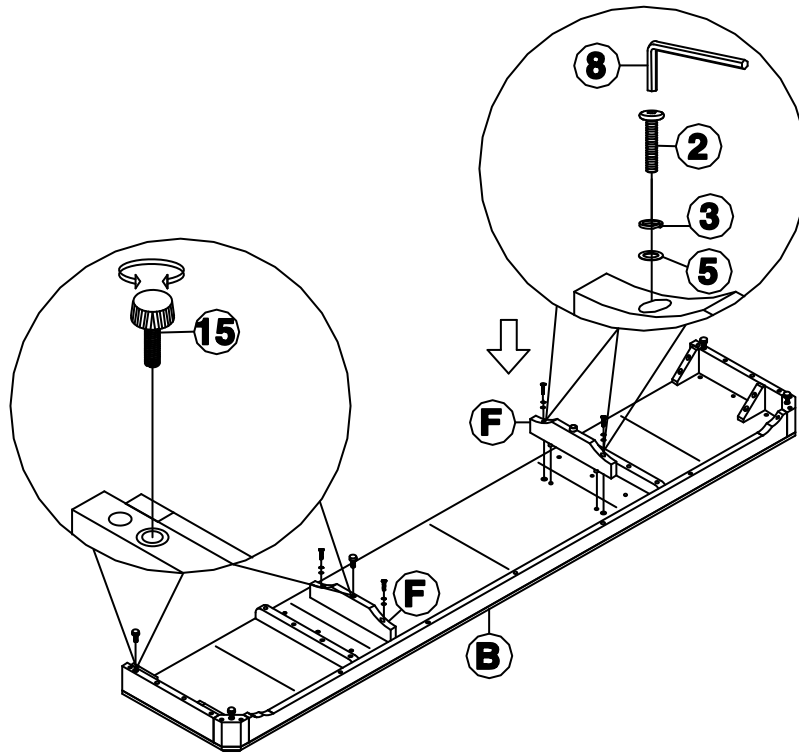
NOTE: HARDWARE IS PACKED IN CARTON TV-11B.

ITEM NO.: TV-11A AND TV-11B
REVISED OCT 31, 2018

Printed in Vietnam
THIS ITEM IS PACKED IN TWO CARTONS

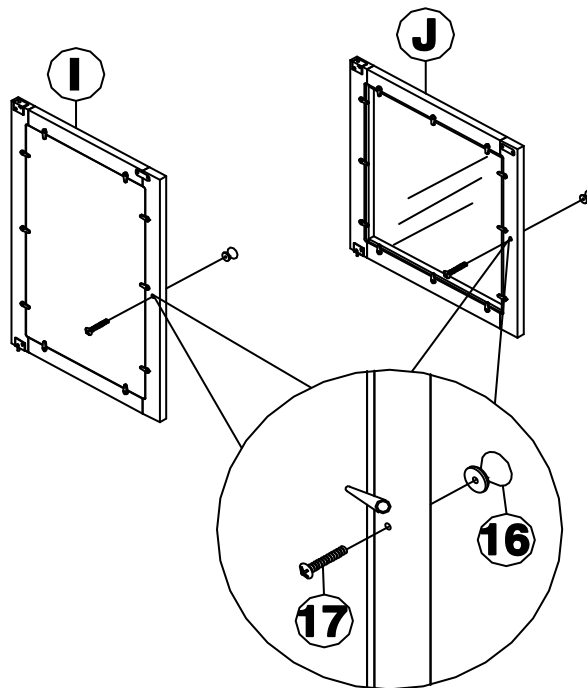
STEP 1

Attach legs (F) to bottom (B) with bolts (2), and washers (3) and (5) as shown below. Tighten with Allen key (8). Attach levelers (15) by screwing them into legs (F) and bottom (B), as shown below.



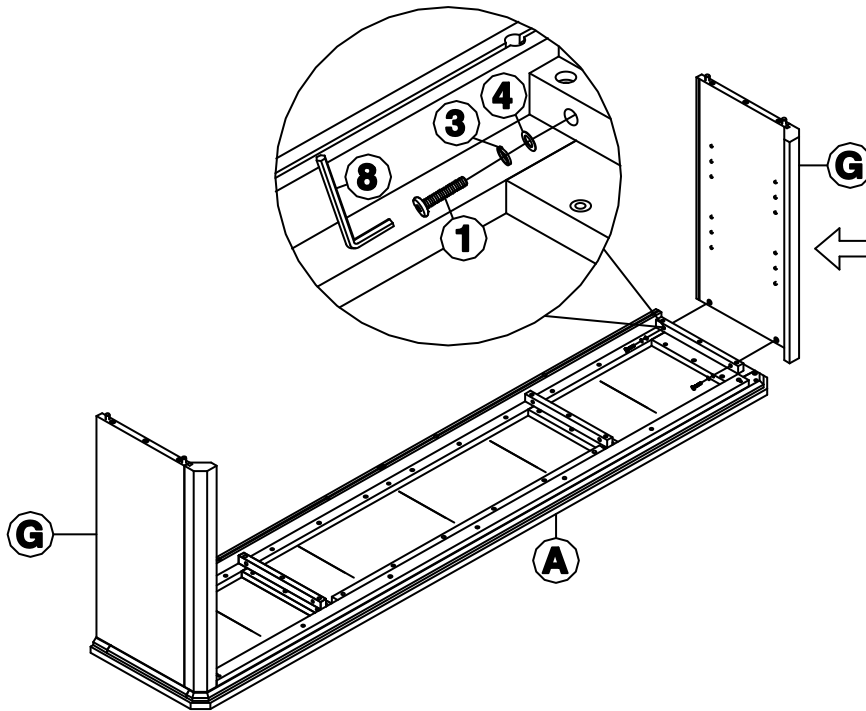
STEP 2

Attach knobs (16) to front of doors (I) and (J) with pan head screws (17) as shown below. Tighten with a screwdriver.



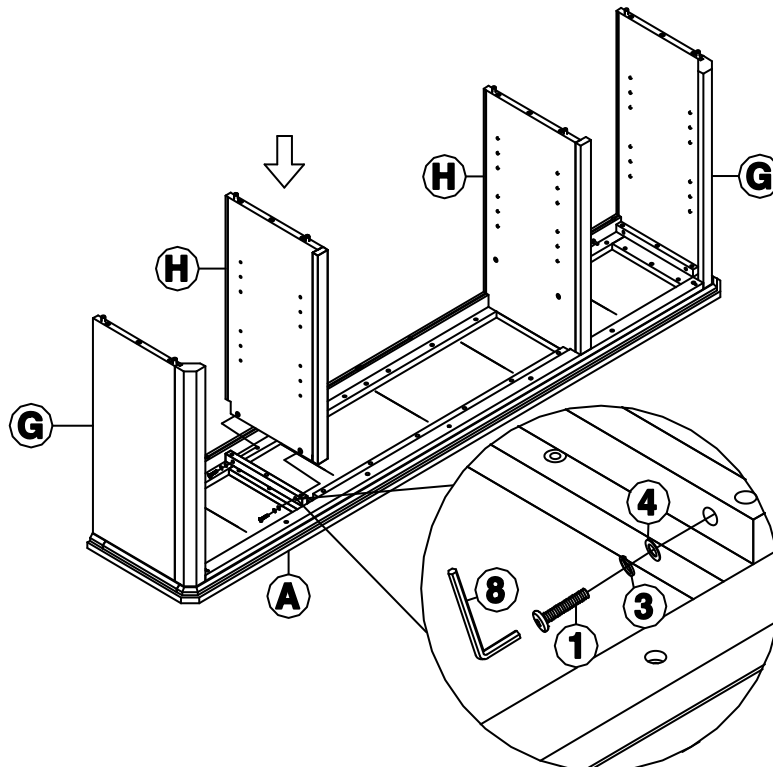
STEP 3

Attach side panels (G) to top (A) with bolts (1), and washers (3) and (4) as shown below. Tighten with Allen key (8).



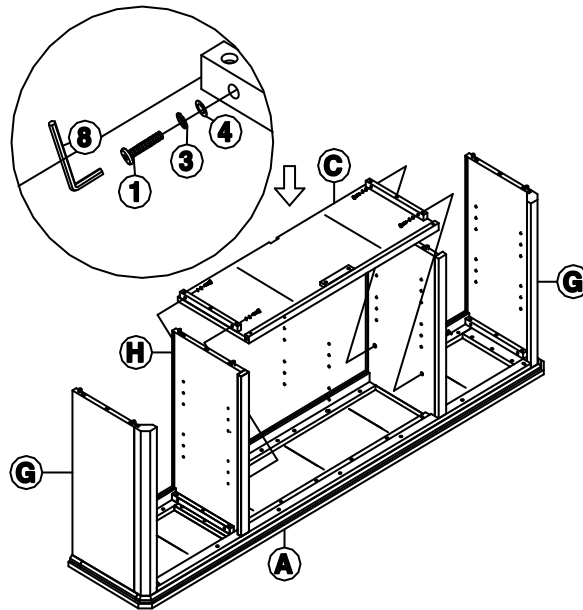
STEP 4

Attach vertical panels (H) to top (A) with bolts (1), and washers (3) and (4) as shown below. Tighten with Allen key (8).



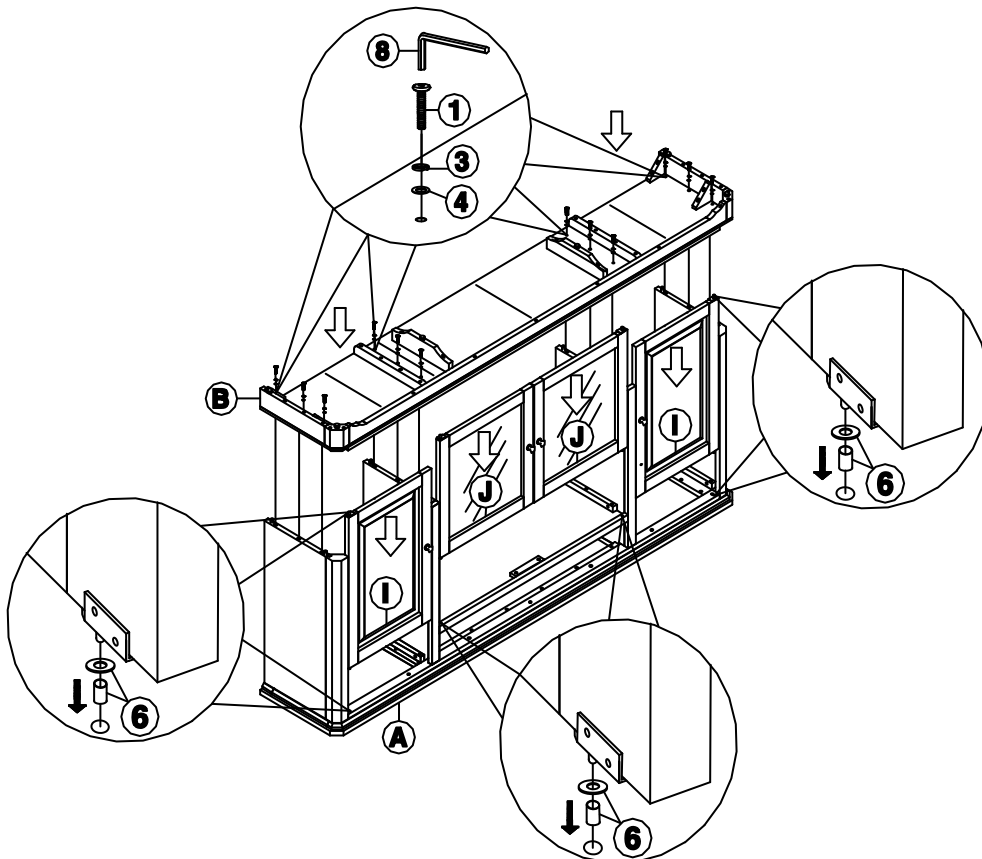
STEP 5

Attach shelf (C) to vertical panels (H) with bolts (1), and washers (3) and (4) as shown below. Tighten with Allen key (8).



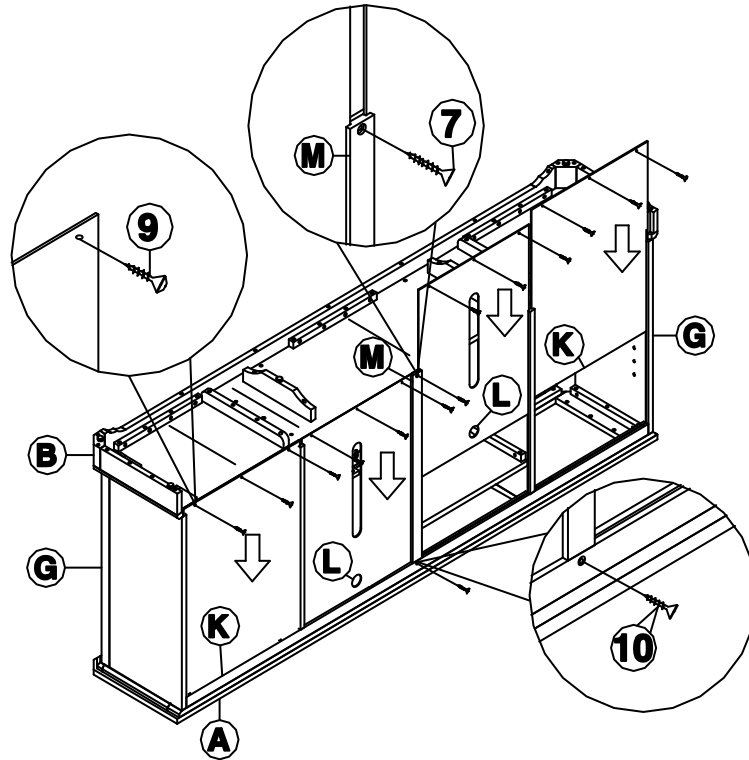
STEP 6

Attach doors (I) and (J) to top (A) and bottom (B) with door pins (6) as shown below. Attach bottom (B) to side panels (G) and vertical panels (H) with bolts (1), and washers (3) and (4) as shown below. Tighten with Allen key (8).



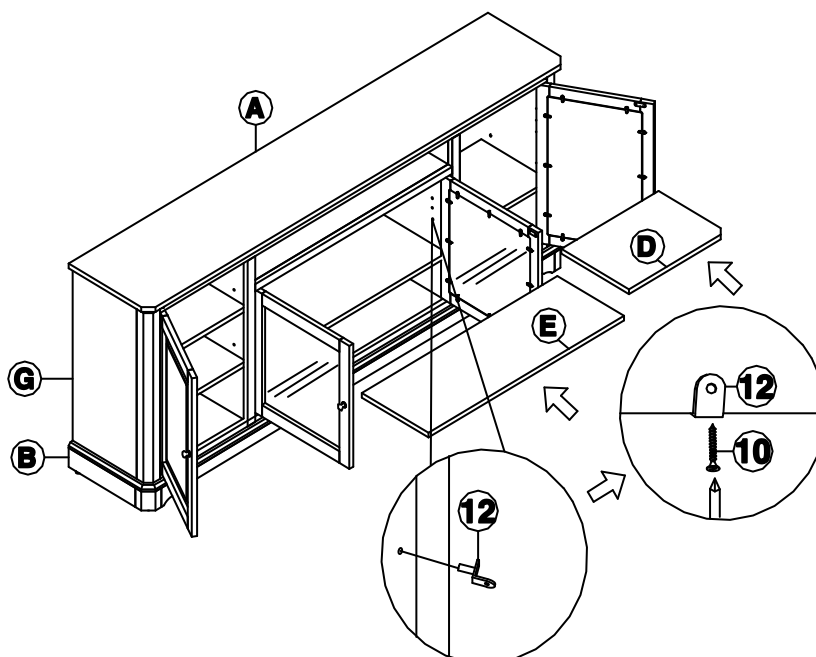
STEP 7

Attach H-connector (M) to top (A) with screw (10) as shown below. Tighten with a screwdriver.
Slide back panels (K) and (L) into the grooves as shown below, and then attach back panels to bottom (B) with screws (9). Tighten with a screwdriver.
Attach H-connector (M) to top (A) with screw (7) as shown below. Tighten with a screwdriver.



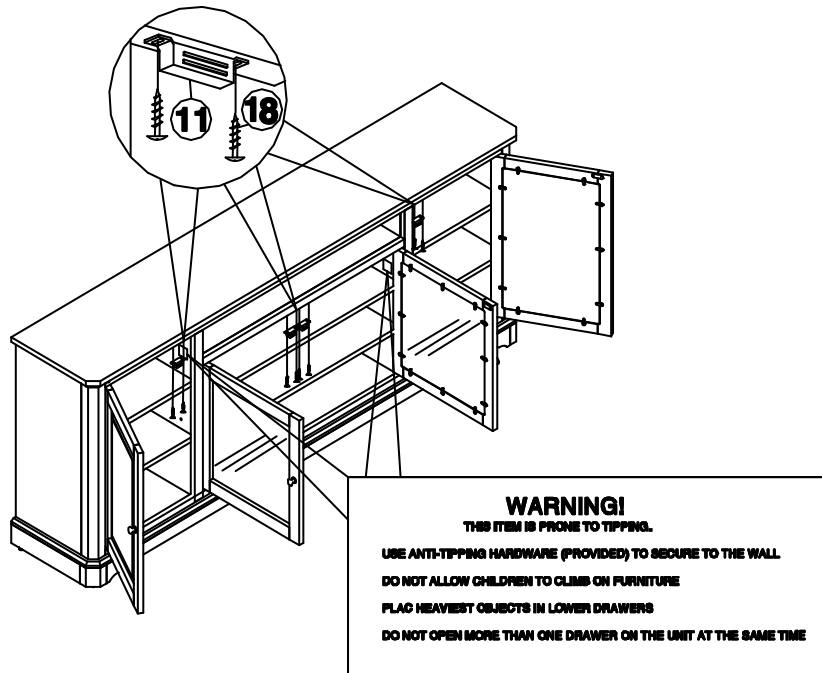
STEP 8

Insert brackets (12) into the unit as shown below. Place shelves (D) and (E) on the brackets and attach with screws (10). Tighten with a screwdriver.



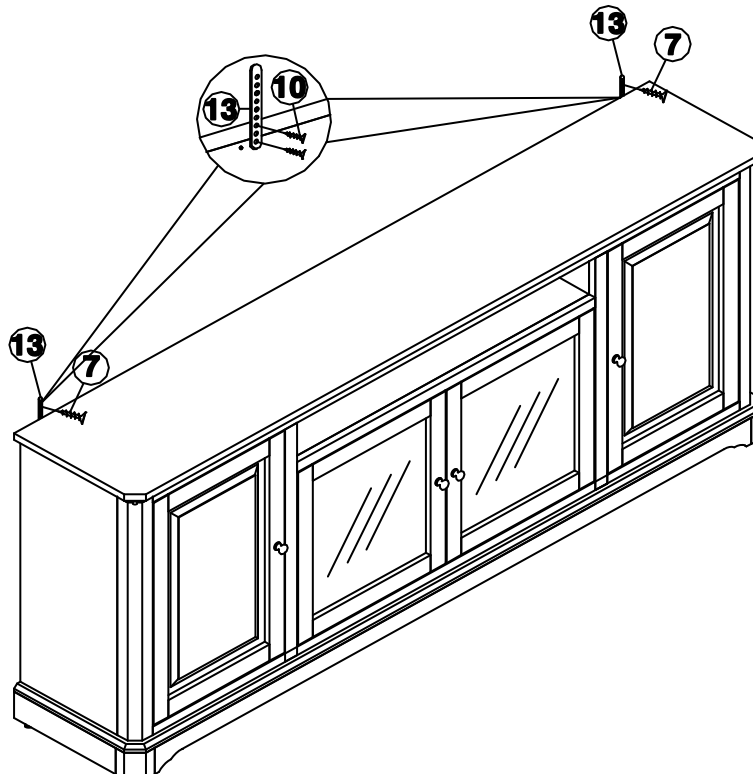
STEP 9

Attach magnets (11) to shelf (C) and vertical panels (H) with pan head screws (18) as shown below. Tighten with a screwdriver.
Stick warning labels (14) on the back side of doors before use.



STEP 10

Attach steel bands (13) to the unit with short screws (10) and attach the steel band to the wall with long screws (7) as shown below (to secure the product and prevent tipping). Tighten with a screwdriver.



ITEM NO.: TV-11A AND TV-11B
REVISED OCT 31, 2018

Printed in Vietnam
THIS ITEM IS PACKED IN TWO CARTONS