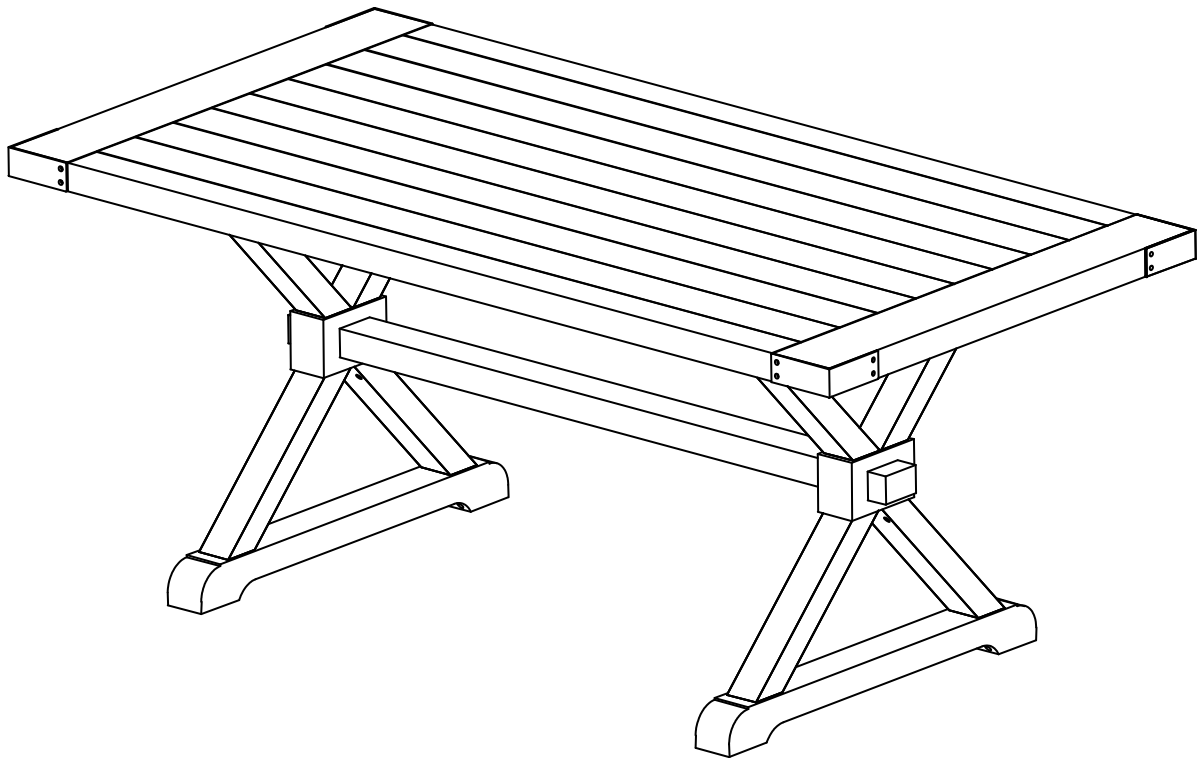


ASSEMBLY INSTRUCTIONS



Description : 38X72 CHIC TRESTLE TABLE
Item No. : T-3872TA AND T-3872TB

ITEM NO.: T-3872TA AND T-3872TB
ISSUED FEB 15, 2019

Printed in Vietnam
THIS ITEM IS PACKED IN 2 CARTONS

BEFORE ASSEMBLY

Thank you for purchasing this quality product. This product has been designed for easy assembly and constructed for durability. All parts were checked prior to packaging to insure quality. Prior to beginning assembly, however, make sure all parts and hardware are included and free of obvious defect. If a part is missing or defective, please contact the store where purchased. If hardware is missing, or you need help with assembly, please call toll free 888-944-8396.

IMPORTANT NOTE:

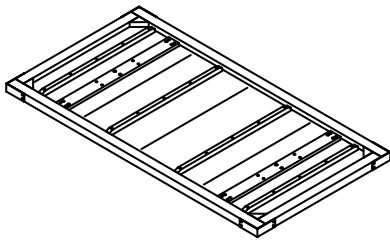
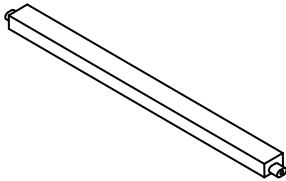
- Place all wooden parts on a clean and smooth surface such as a rug or carpet to avoid the parts from being scratched.
- Remove all wrapping material, including staples & packing straps before you start to assemble.
- DO NOT tighten all screws, bolts until completely assembled.
- Keep all hardware parts out of reach of children.

WARNING:

- Long exposure to rubber or soft plastic may cause a chemical reaction and damage the finish of your table. Protect the surface of the table with cloth if you are using any product with rubber feet or base.

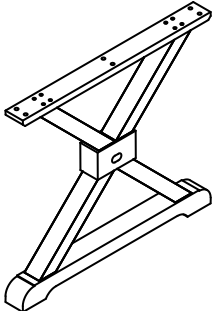
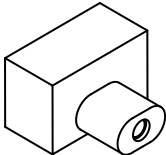
PART LIST T-3872TA

When unpacking, please be careful not to discard any parts with the packaging. Before continuing, please make sure you have the following parts:

NO	Description	Qty	Sketch	NO	Description	Qty	Sketch
A	Top	1		B	Cross Bar	1	





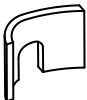

PART LIST T-3872TB

When unpacking, please be careful not to discard any parts with the packaging. Before continuing, please make sure you have the following parts:

NO	Description	Qty	Sketch	NO	Description	Qty	Sketch
C	Base	2		D	Side Decoration	2	

HARDWARE LIST

When unpacking, please be careful not to discard any parts with the packaging. Before continuing, please make sure you have all of the following hardware:

NO	Description	Qty	Sketch	NO	Description	Qty	Sketch
1	Short Bolt (M8 x 45mm)	12		2	Long Bolt (M8 x 120mm)	2	
3	Lock Washer (Φ8.5 x 13mm)	12		4	Flat Washer (2 x Φ8.5 x 19mm)	12	
5	U - Washer M8	2		6	Allen Key (M4 x 30mm x 110mm)	1	

NOTE: HARDWARE IS PACKED IN CARTON T-3872TB.

ITEM NO.: T-3872TA AND T-3872TB

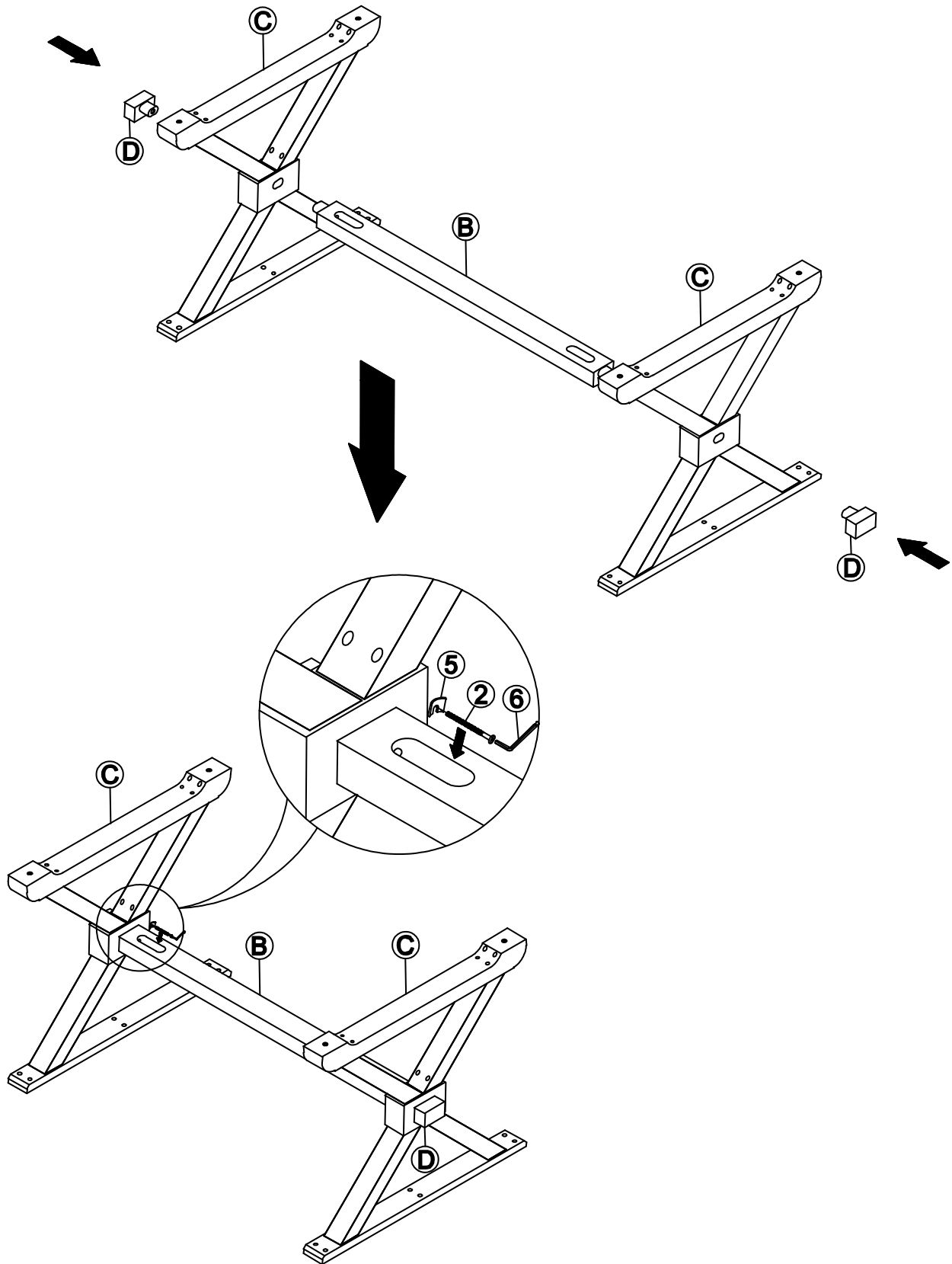
ISSUED FEB 15, 2019

Printed in Vietnam

THIS ITEM IS PACKED IN 2 CARTONS

STEP 1

Insert crossbar (B) and side decorations (D) into the bases (C) as shown below, and then attach with bolts (2) and u-washers (5). Tighten with Allen key (6).



ITEM NO.: T-3872TA AND T-3872TB
ISSUED FEB 15, 2019

Printed in Vietnam
THIS ITEM IS PACKED IN 2 CARTONS

STEP 2

Attach the bases (C) to top (A) with bolts (1), and washers (3) and (4) as shown below. Tighten with Allen key (6).

