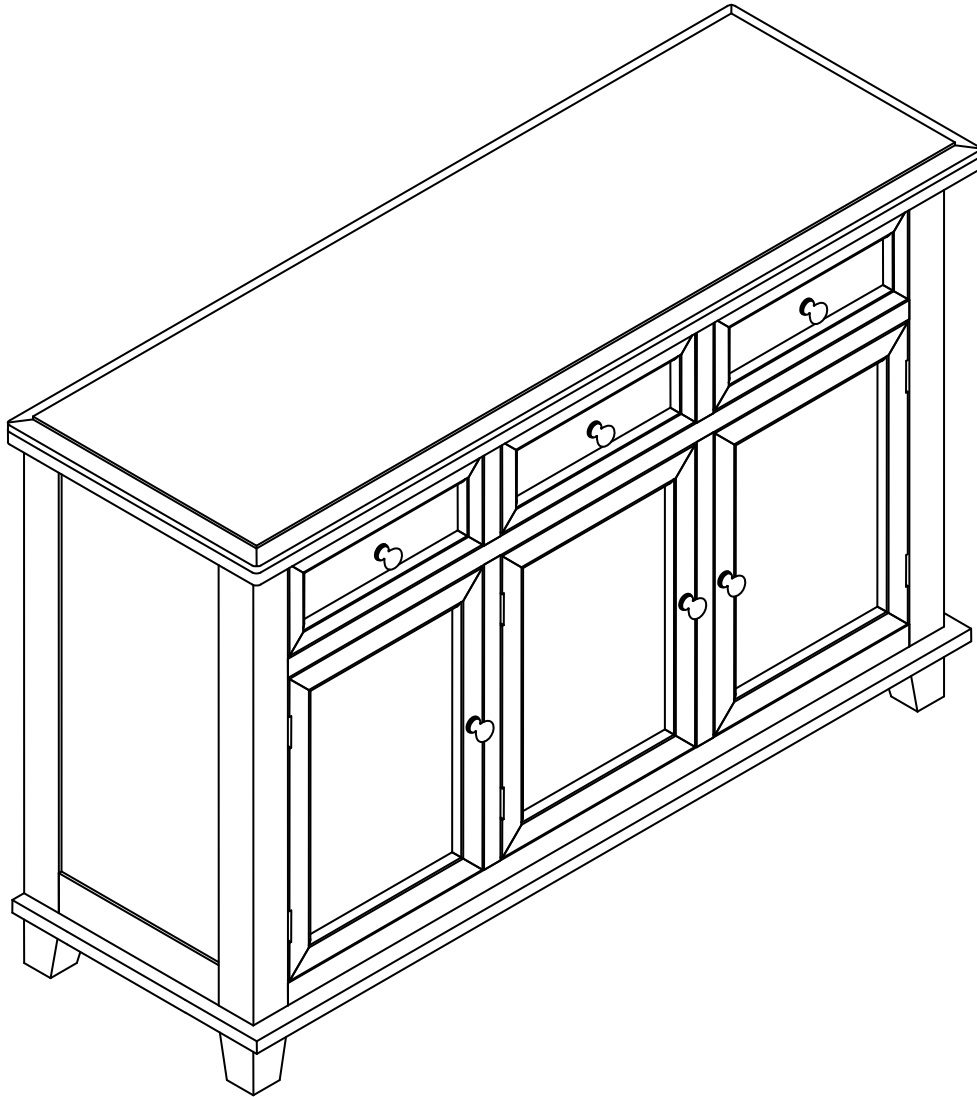


ASSEMBLY INSTRUCTIONS



Description : VISTA 3-DOOR BUFFET
Item No. : B-14A AND B-14B

ITEM NO.: B-14A AND B-14B
ISSUED JUN 17, 2019

Printed in Vietnam
THIS ITEM IS PACKED IN TWO CARTONS

BEFORE ASSEMBLY

Thank you for purchasing this quality product. This product has been designed for easy assembly and constructed for durability. All parts were checked prior to packaging to insure quality. Prior to beginning assembly, however, make sure all parts and hardware are included and free of obvious defect. If a part is missing or defective, please contact the store where purchased. If hardware is missing, or you need help with assembly, please call toll free 888-944-8396.

IMPORTANT NOTE:

- Place all wooden parts on a clean and smooth surface such as a rug or carpet to avoid the parts from being scratched.
- Remove all wrapping material, including staples & packing straps before you start to assemble.
- DO NOT tighten all screws and bolts until completely assembled.
- Keep all hardware parts out of reach of children.

WARNING:

- Long exposure to rubber or soft plastic may cause a chemical reaction and damage the finish of your product. Protect the surface of the product with cloth if you are using any product with rubber feet or base.

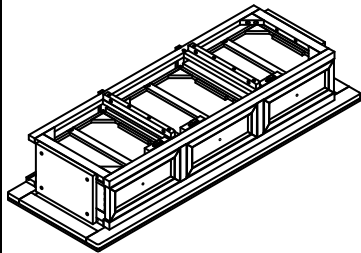
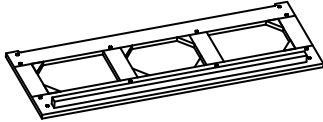
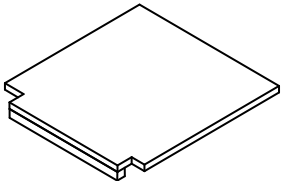
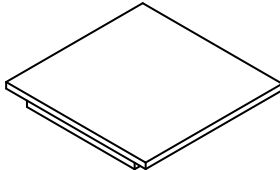
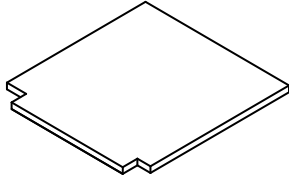
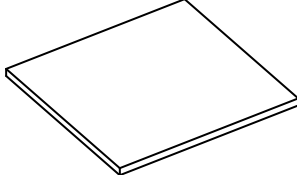
ASSEMBLY TOOLS REQUIRED

NOT INCLUDED



PART LIST B-14A

When unpacking, please be careful not to discard any parts with the packaging. Before continuing, please make sure you have the following parts:

NO	Description	Qty	Sketch	NO	Description	Qty	Sketch
A	Top	1		B	Bottom panel	1	
C	Side Bottom Shelf (L-R)	2		D	Center Bottom Shelf	1	
E	Side Shelf (L-R)	2		F	Center Shelf	1	

NOTE: WARNING LABEL (INCLUDED)

WARNING

Serious or fatal crushing injuries can occur from furniture tipover. To help prevent tipover:

- Install tipover restraint provided.
- Place heaviest items in the lower drawers.
- Unless specifically designed to accommodate, do not set TVs or other heavy objects on top of this product.
- Never allow children to climb or hang on drawers, doors or shelves.
- Never open more than one drawer at a time.

Use of tipover restraints may only reduce, but not eliminate, the risk of tipover.

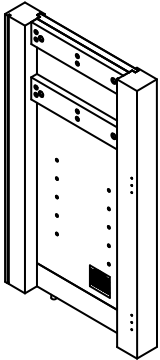
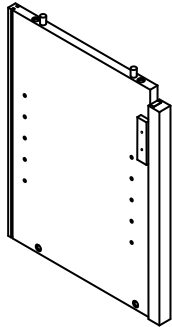
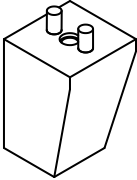
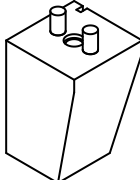
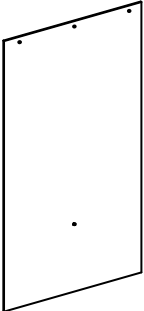
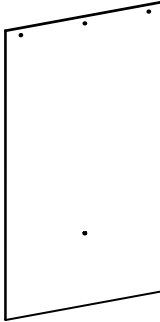
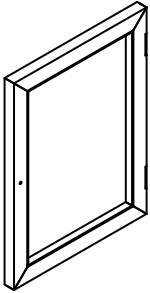
This is permanent label. Do not remove.

ITEM NO.: B-14A AND B-14B
ISSUED JUN 17, 2019

Printed in Vietnam
THIS ITEM IS PACKED IN TWO CARTONS

PART LIST B-14B

When unpacking, please be careful not to discard any parts with the packaging. Before continuing, please make sure you have the following parts:

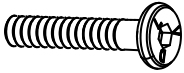


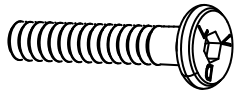


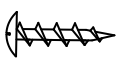
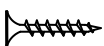
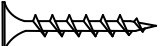
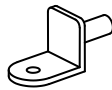
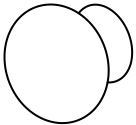

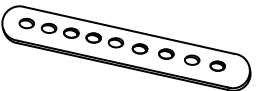
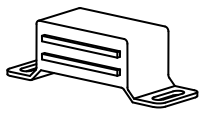

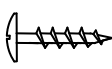
NO	Description	Qty	Sketch	NO	Description	Qty	Sketch
G	Side panel (L-R)	2		H	Vertical panel (L-R)	2	
I	Front Leg (L-R)	2		J	Back Leg (L-R)	2	
K	Side Back panel	2		L	Center Back panel	1	
M	Door (02L-01R)	3					

ITEM NO.: B-14A AND B-14B
ISSUED JUN 17, 2019

Printed in Vietnam
THIS ITEM IS PACKED IN TWO CARTONS

HARDWARE LIST

When unpacking, please be careful not to discard any parts with the packaging. Before continuing, please make sure you have all of the following hardware:

NO	Description	Qty	Sketch	NO	Description	Qty	Sketch
1	Short Bolt (M6 x 35mm)	20		2	Small Lock Washer (Φ6.5 x 11mm)	20	
3	Small Flat Washer (Φ6.5 x 19mm)	20		4	Long bolt (M8 x 40mm)	4	
5	Large Lock Washer (Φ8.5 x 13mm)	4		6	Large Flat Washer (Φ8.5 x 19mm)	4	
7	Short Pan head screw (M3.5 x 15mm)	28		8	Short Screw (M3.5 x 15mm)	18	
9	Long Screw (M4 x 35mm)	2		10	Shelf support bracket	12	
11	Wooden Knob (Φ35 x 35mm)	6		12	Long Pan head screw (M4 x 25mm)	6	
13	Steel band	2		14	Magnet	3	
15	Allen key (M4 x 30mm x 110mm)	1		16	Short Pan head screw (M3 x 15mm)	6	

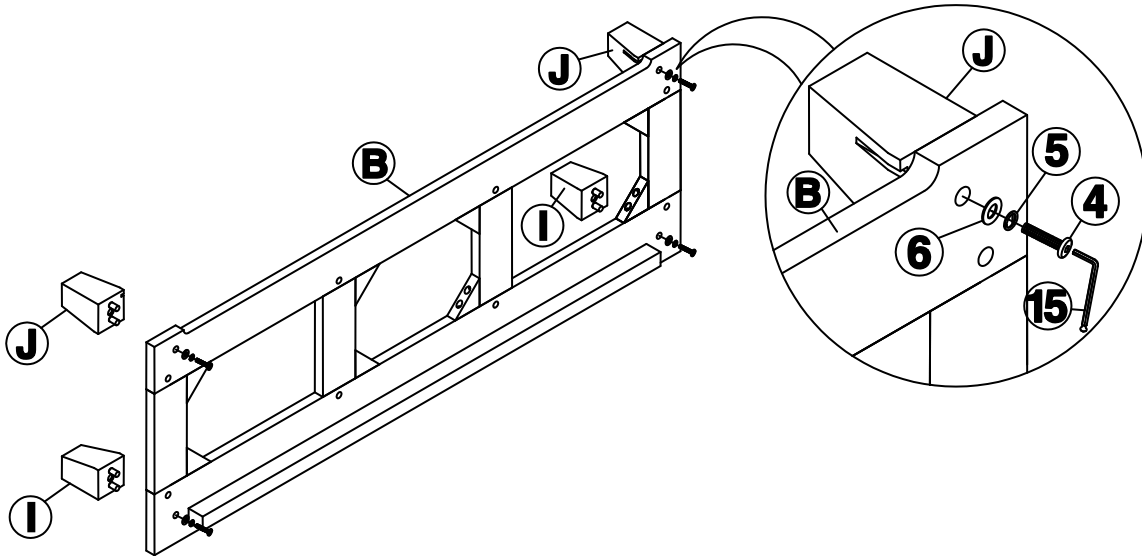
NOTE: HARDWARE IS PACKED IN CARTON B-14B.

**ITEM NO.: B-14A AND B-14B
ISSUED JUN 17, 2019**

**Printed in Vietnam
THIS ITEM IS PACKED IN TWO CARTONS**

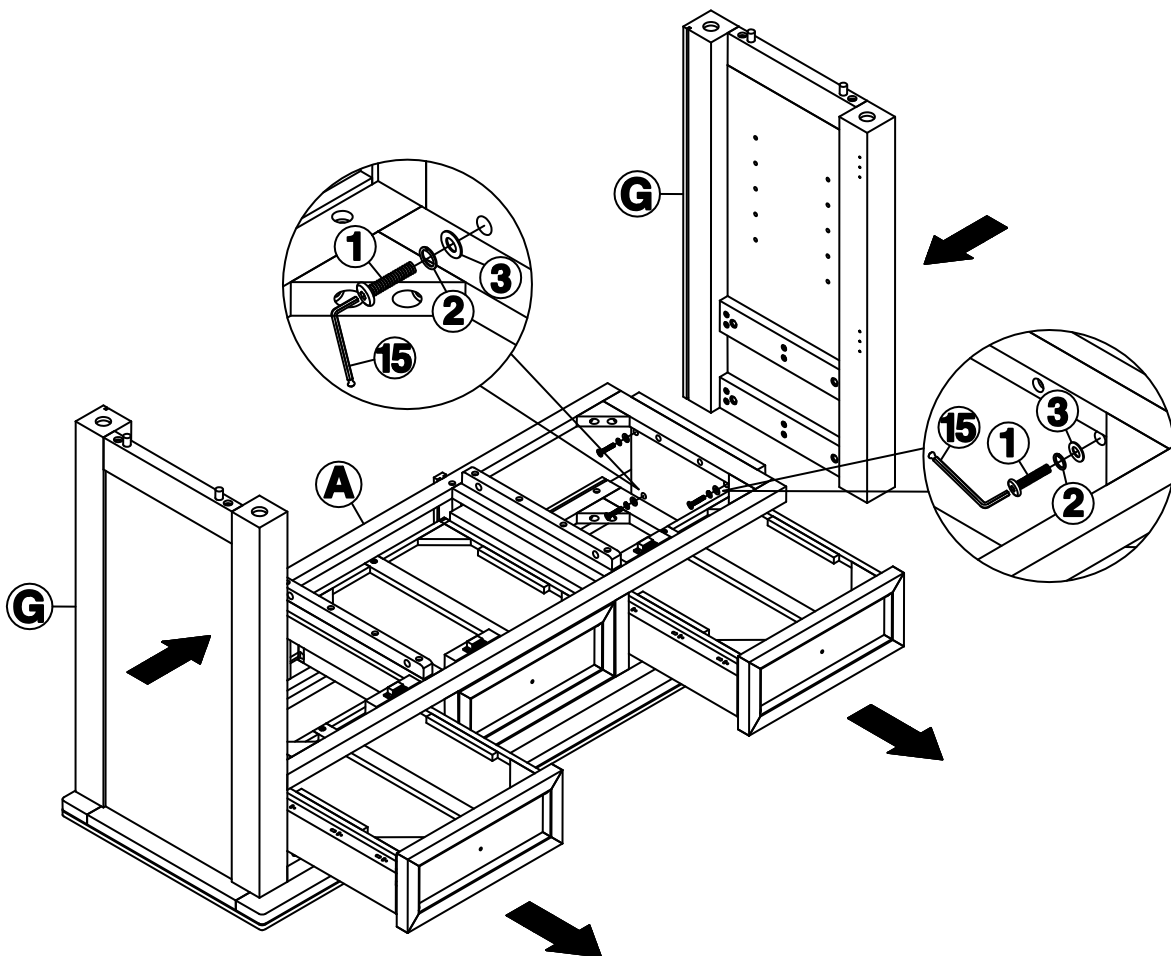
STEP 1

Attach front legs (I), and back legs (J) to bottom panel (B) with bolts (4), and washers (5) and (6) as shown below. Tighten with Allen key (15).



STEP 2

Pull out the drawers. Then attach side panels (G) to top (A) with bolts (1), and washers (2) and (3) as shown below. Tighten with Allen key (15).

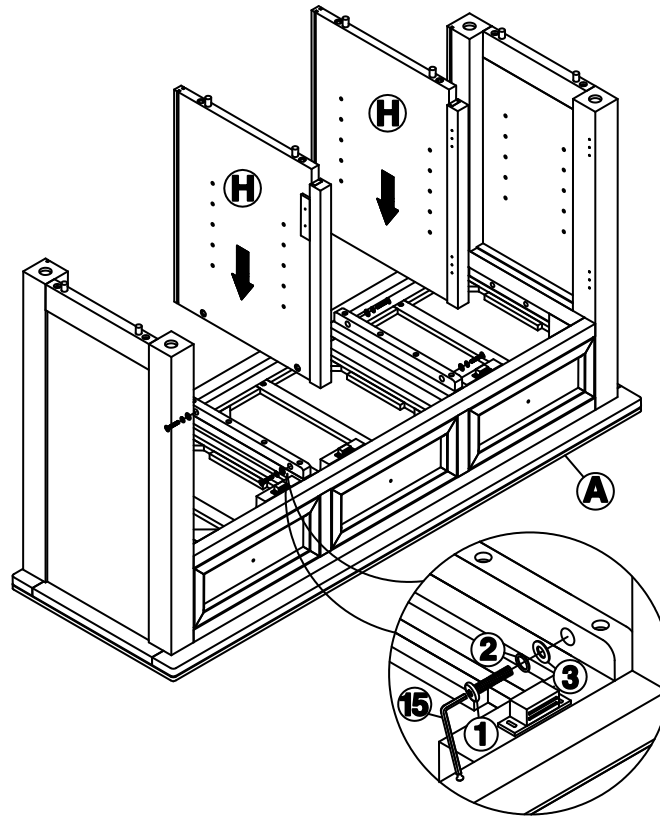


ITEM NO.: B-14A AND B-14B
ISSUED JUN 17, 2019

Printed in Vietnam
THIS ITEM IS PACKED IN TWO CARTONS

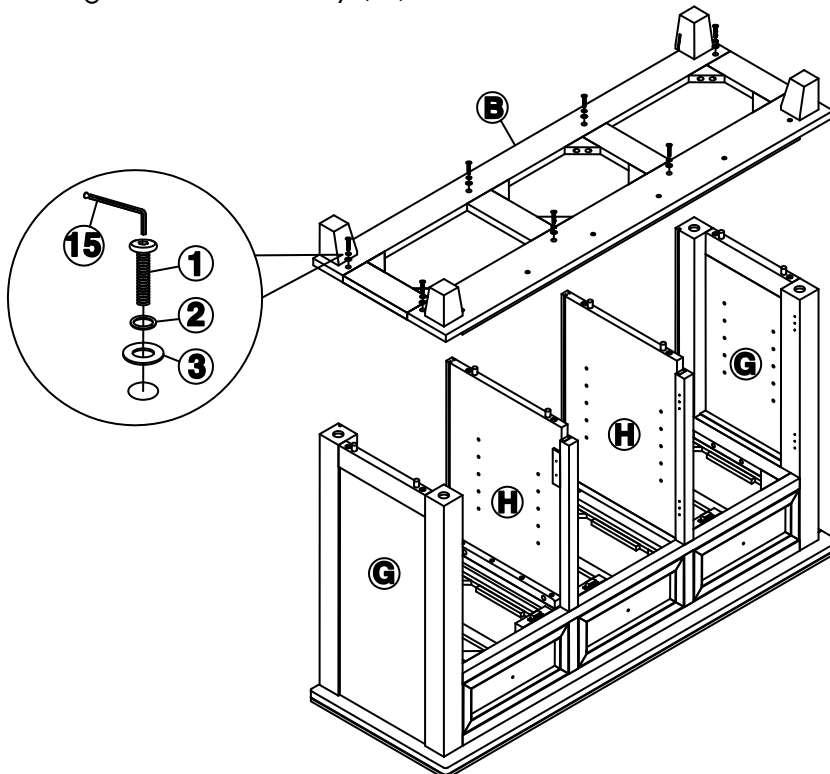
STEP 3

Attach vertical panels (H) to top (A) with bolts (1), and washers (2) and (3) as shown below. Tighten with Allen key (15).



STEP 4

Attach bottom panel (B) to side panels (G) and vertical panels (H) with bolts (1), and washers (2) and (3) as shown below. Tighten with Allen key (15).

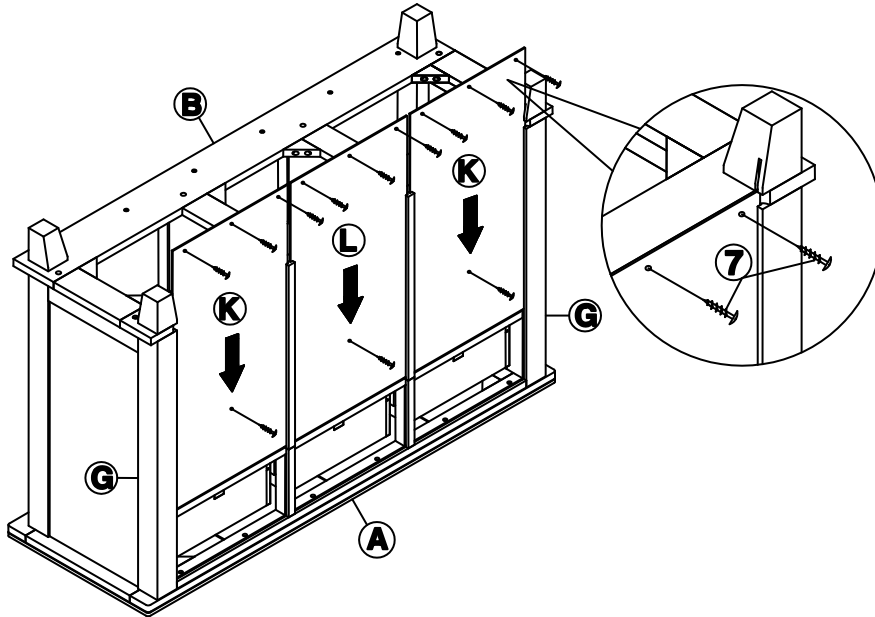


ITEM NO.: B-14A AND B-14B
ISSUED JUN 17, 2019

Printed in Vietnam
THIS ITEM IS PACKED IN TWO CARTONS

STEP 5

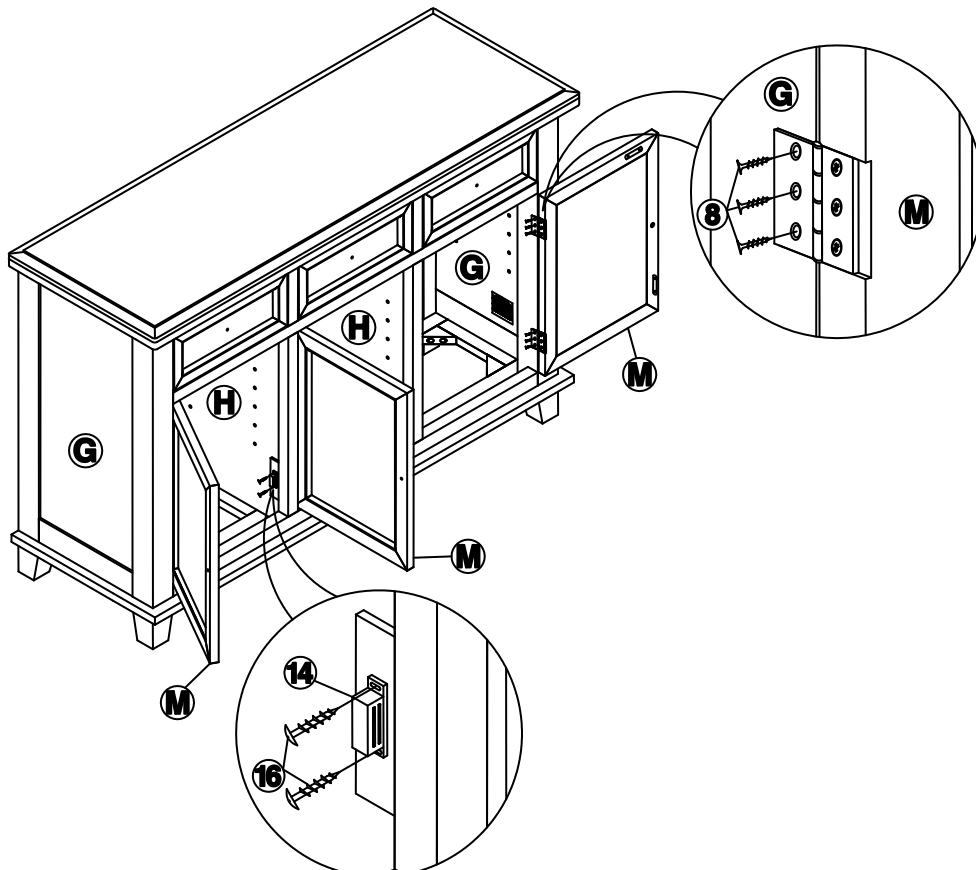
Slide back panels (K) and (L) into the grooves as shown below, and then attach back panels (K) and (L) to bottom panel (B) and top (A) with screws (7). Tighten with a screwdriver.



STEP 6

Attach doors (M) to side panels (G), and vertical panel (H) with screws (8) as shown below. Tighten with a screwdriver.

Attach magnets (14) to the unit with screws (16) as shown below. Tighten with a screwdriver.

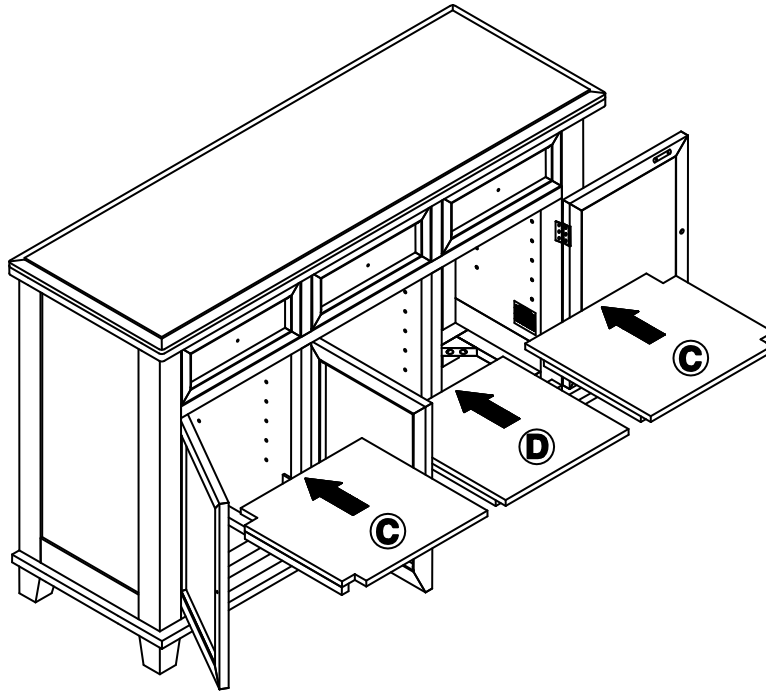


ITEM NO.: B-14A AND B-14B
ISSUED JUN 17, 2019

Printed in Vietnam
THIS ITEM IS PACKED IN TWO CARTONS

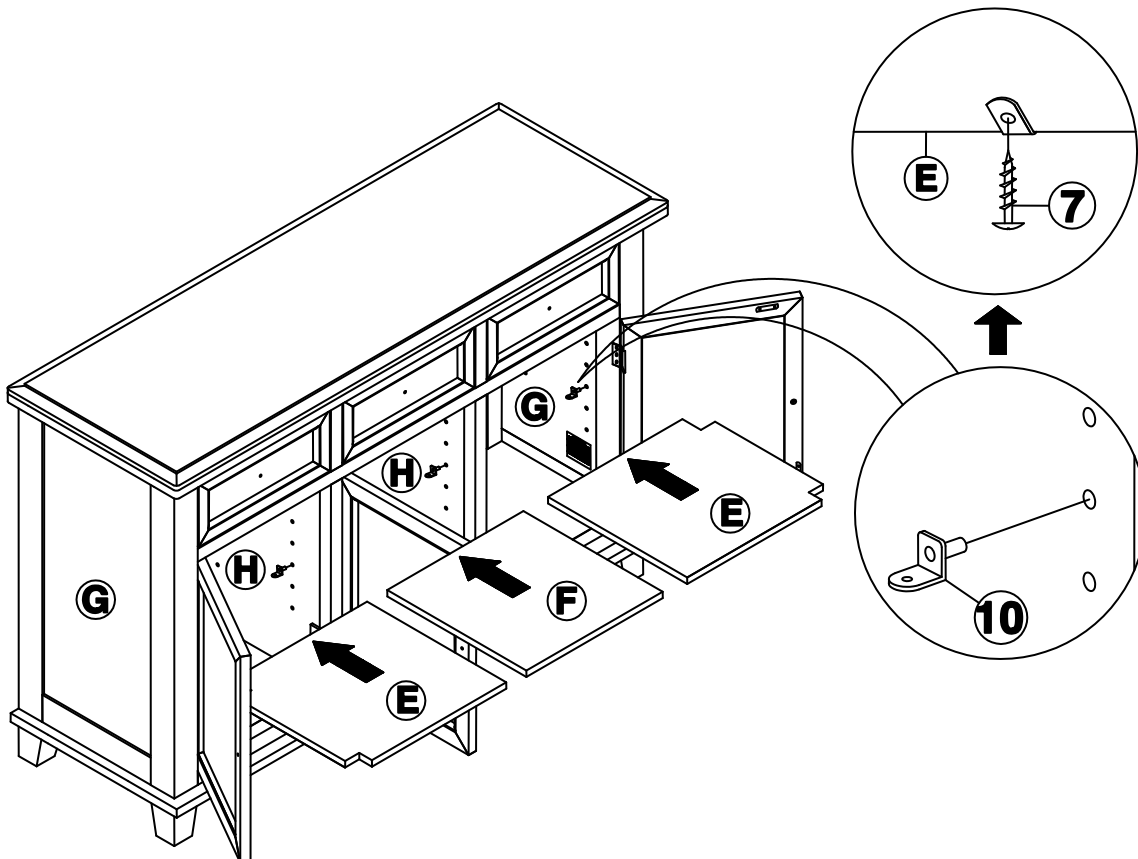
STEP 7

Put bottom shelves (C) and (D) into the unit as shown below.



STEP 8

Insert brackets (10) into the unit as shown below. Place shelves (E) and (F) on the brackets and attach with screws (7). Tighten with a screwdriver.



ITEM NO.: B-14A AND B-14B
ISSUED JUN 17, 2019

Printed in Vietnam
THIS ITEM IS PACKED IN TWO CARTONS

STEP 9

Attach knobs (11) to and front of drawers and doors with pan head screws (12) as shown below. Tighten with a screwdriver.

Attach steel bands (13) to the unit with screws (7) as shown below.

(to secure the product to the wall and reduce the risk of tipping over).

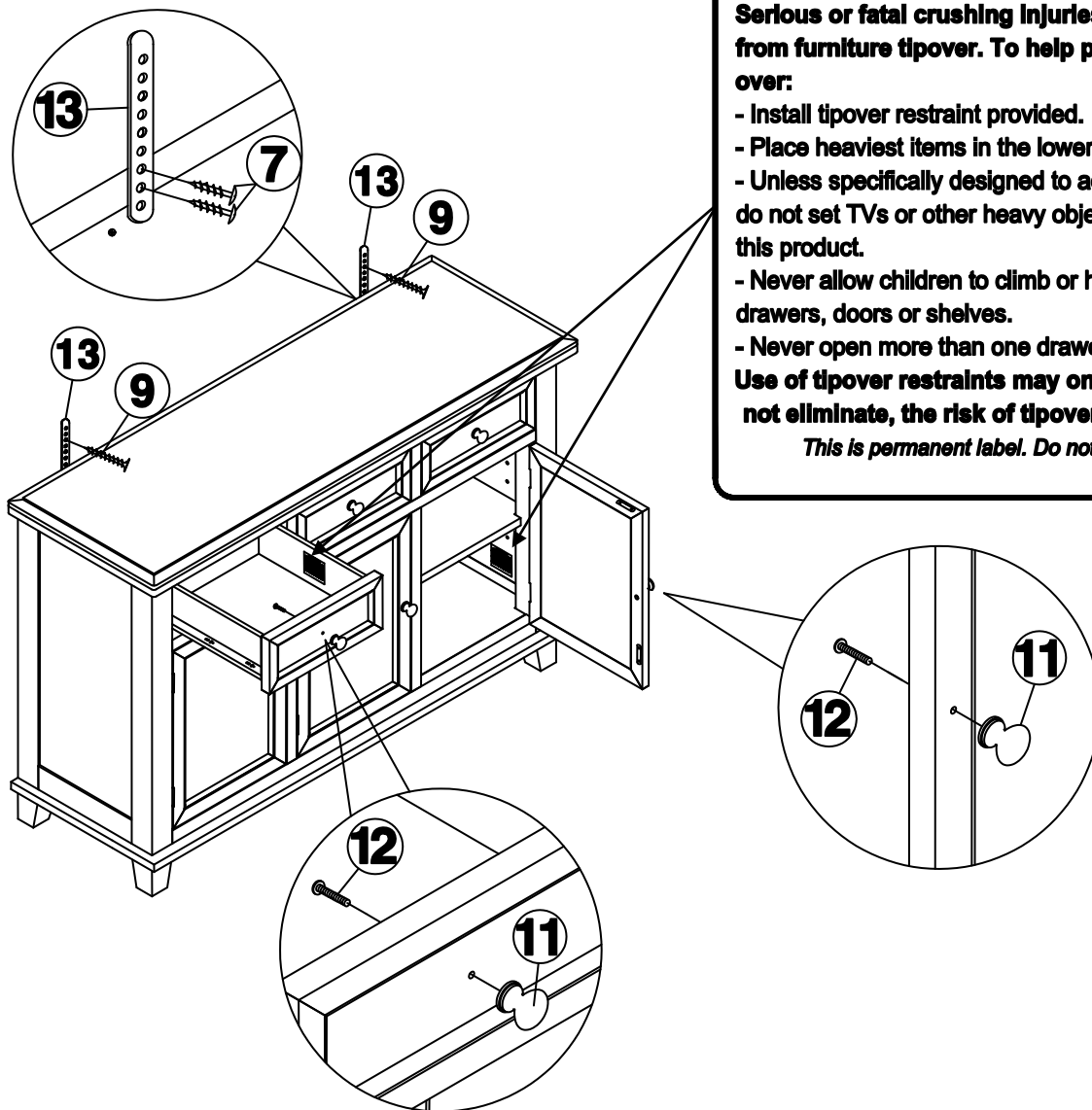
Important!

Properly attach steel bands (13) to the wall in an area of **drywall or plaster with a wood stud**:

Mark the attachment point(s) with a pencil at the appropriate height **positioned over the wood stud(s) in the wall**.

Drill 1/8-inch (3mm) diameter hole(s) into the wood stud(s) located in the wall, where you marked with the pencil.

Properly attach steel bands to the wall with screws (9) and tighten screw(s) firmly into the wall.



WARNING

Serious or fatal crushing injuries can occur from furniture tipover. To help prevent tipover:

- Install tipover restraint provided.
 - Place heaviest items in the lower drawers.
 - Unless specifically designed to accommodate, do not set TVs or other heavy objects on top of this product.
 - Never allow children to climb or hang on drawers, doors or shelves.
 - Never open more than one drawer at a time.
- Use of tipover restraints may only reduce, but not eliminate, the risk of tipover.**

This is permanent label. Do not remove.