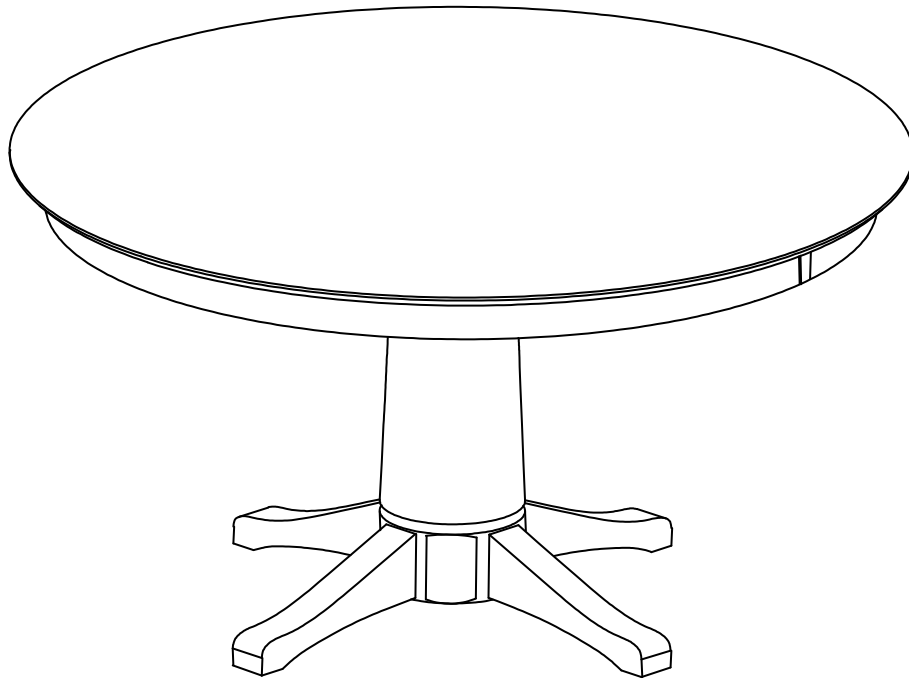


# ASSEMBLY INSTRUCTIONS

---



---

Description : TRANSITIONAL PEDESTAL FOR SOLID TOP  
Item No. : T-7B AND T-142RT OR T-45RT OR T-148RT OR T-48RT OR  
T-52T OR T-60RT  
(PACKED IN SEPARATE BOX)

**ITEM NO.: T-7B AND T-142RT OR T-45RT OR T-148RT OR T-48RT OR T-52T OR T-60RT**  
(PACKED IN SEPARATE BOX)

**Printed in Vietnam**

**REVISED MAY 20, 2019**

## BEFORE ASSEMBLY

Thank you for purchasing this quality product. This product has been designed for easy assembly and constructed for durability. All parts were checked prior to packaging to insure quality. Prior to beginning assembly, however, make sure all parts and hardware are included and free of obvious defect. If a part is missing or defective, please contact the store where purchased. If hardware is missing, or you need help with assembly, please call toll free 888-944-8396.

**IMPORTANT NOTE:**

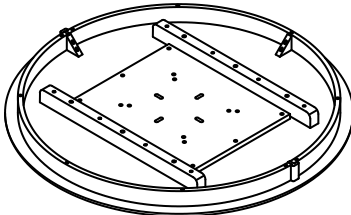
- Place all wooden parts on a clean and smooth surface such as a rug or carpet to avoid the parts from being scratched.
- Remove all wrapping material, including staples & packing straps before you start to assemble.
- DO NOT tighten all screws and bolts until completely assembled.
- Keep all hardware parts out of reach of children.

**WARNING:**

Long exposure to rubber or soft plastic may cause a chemical reaction and damage the finish of your table. Protect the surface of the table with cloth if you are using any product with rubber feet or base.

## PART LIST T-142RT OR T-45RT OR T-148RT OR T-48RT OR T-52T OR T-60RT

When unpacking, please be careful not to discard any parts with the packaging. Before continuing, please make sure you have the following parts:

NO	Description	Qty	Sketch	NO	Description	Qty	Sketch
A	Top	1					

**ITEM NO.: T-7B AND T-142RT OR T-45RT OR T-148RT OR T-48RT OR T-52T OR T-60RT**

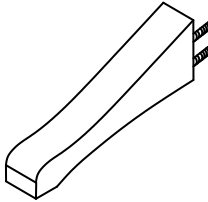
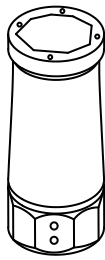
**Printed in Vietnam**

(PACKED IN SEPARATE BOX)

**REVISED MAY 20, 2019**



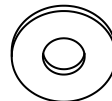
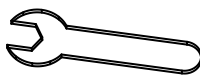
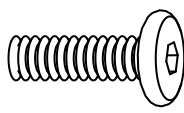

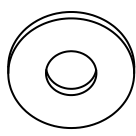
## PART LIST T-7B

When unpacking, please be careful not to discard any parts with the packaging. Before continuing, please make sure you have the following parts:

NO	Description	Qty	Sketch	NO	Description	Qty	Sketch
B	Leg	4		C	Pedestal column	1	

## HARDWARE LIST

When unpacking, please be careful not to discard any parts with the packaging. Before continuing, please make sure you have all of the following hardware:

NO	Description	Qty	Sketch	NO	Description	Qty	Sketch
1	Hexagon nut (M8 x 13mm)	8		2	Lock Washer (Φ8.5 x Φ13mm)	12	
3	Small Flat Washer (Φ8.5 x Φ19mm)	8		4	Wrench (13mm)	1	
5	Bolt (M8 x 45mm)	4		6	Allen Key (M4 x 30mm x 110mm)	1	
7	Large Flat Washer (Φ8.5 x Φ22mm)	4					

**NOTE: HARDWARE IS PACKED IN CARTON T-7B.**

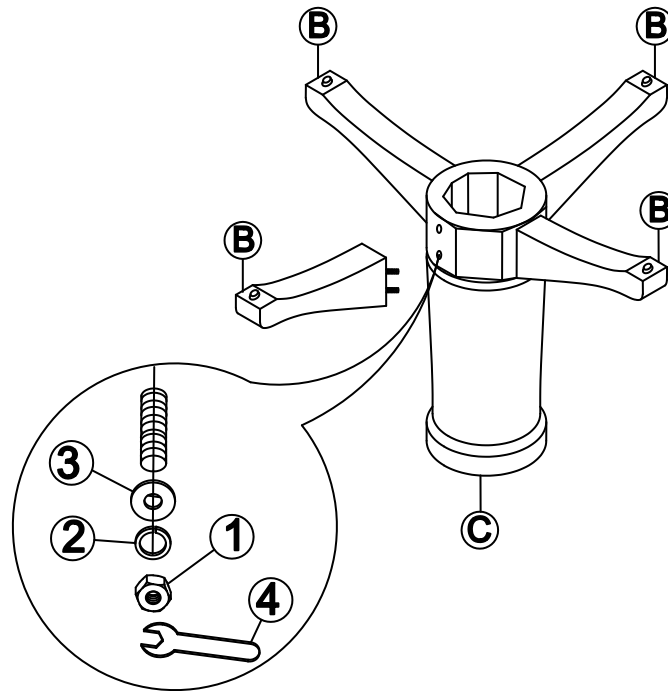
**ITEM NO.: T-7B AND T-142RT OR T-45RT OR T-148RT OR T-48RT OR T-52T OR T-60RT**  
(PACKED IN SEPARATE BOX)

**Printed in Vietnam**

**REVISED MAY 20, 2019**

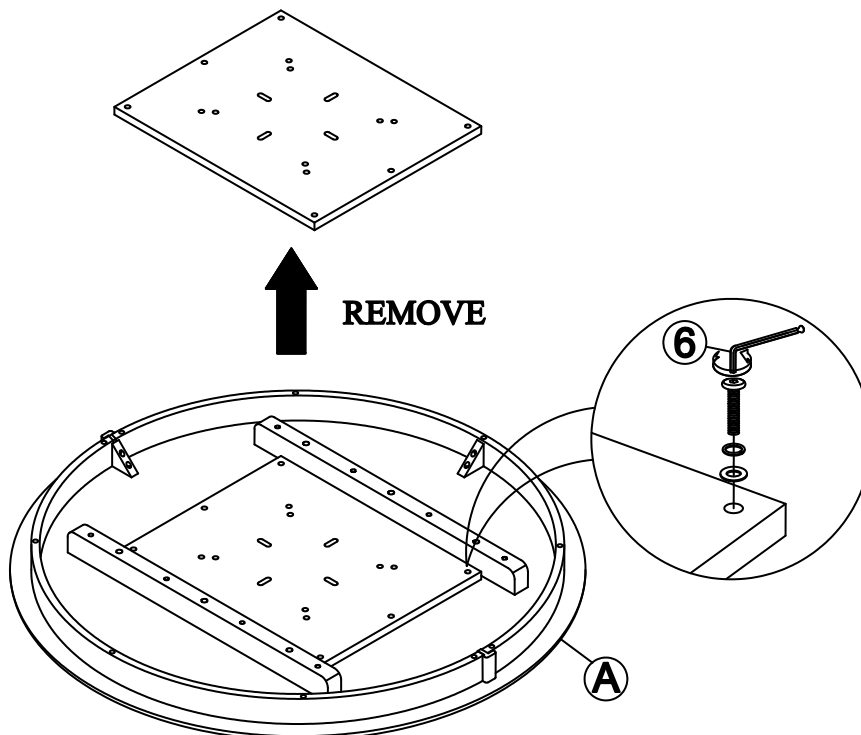
## STEP 1

Attach legs (B) to the pedestal (C) with washers (2), and (3) and nuts (1) as shown below. Tighten with the wrench (4).



## STEP 2

Use the Allen key (6) to loosen the bolts and washers, and remove the plate underneath the table top as shown below.



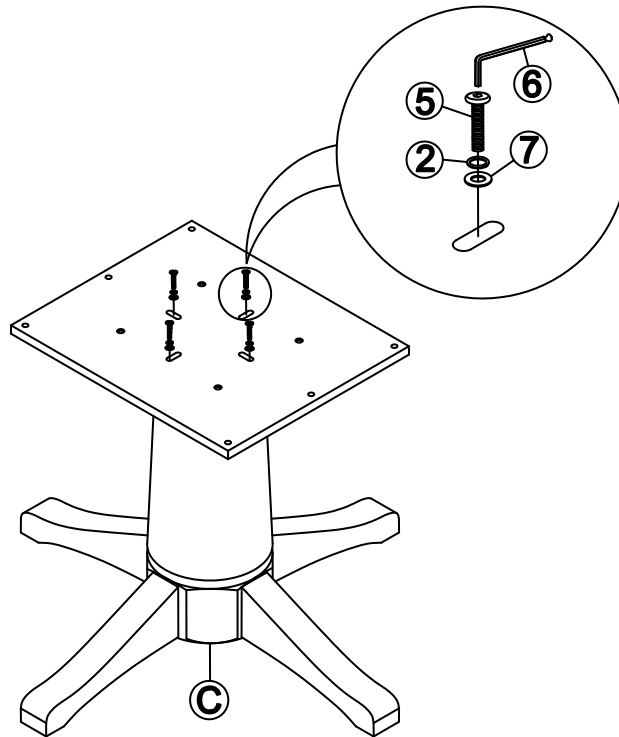
ITEM NO.: T-7B AND T-142RT OR T-45RT OR T-148RT OR T-48RT OR T-52T OR T-60RT  
(PACKED IN SEPARATE BOX)

Printed in Vietnam

REVISED MAY 20, 2019

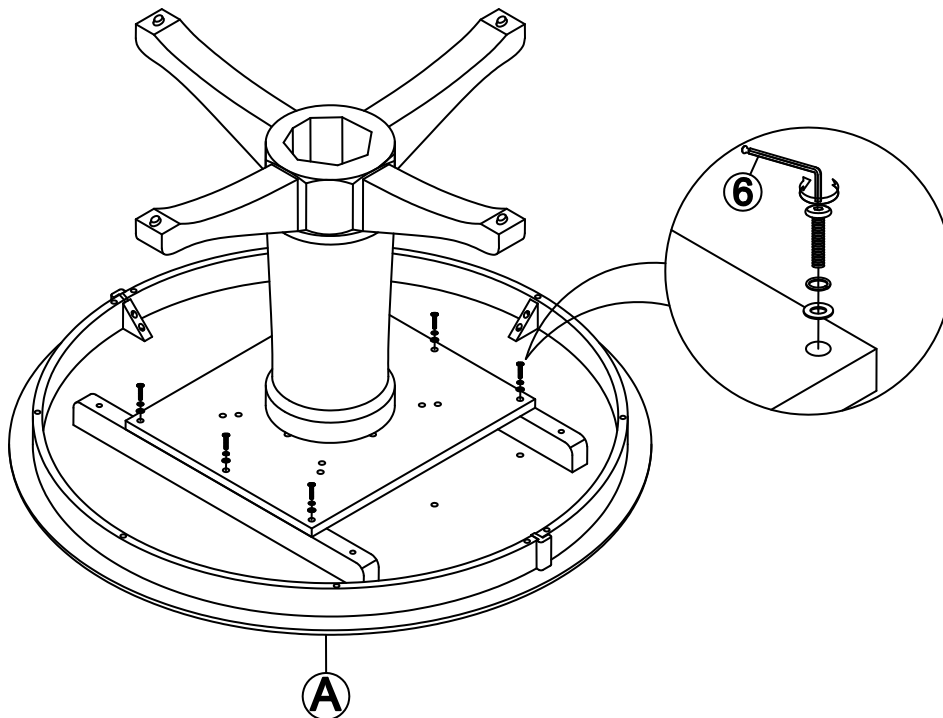
## STEP 3

Place the plate on top of the pedestal (C), attach with bolts (5), and washers (2) and (7) as shown below. Tighten with Allen key (6).



## STEP 4

Carefully put the pedestal block on the bottom side of the table top, attach the top to plate with bolts and washers (from step 2) and tighten with the Allen key (6).



ITEM NO.: T-7B AND T-142RT OR T-45RT OR T-148RT OR T-48RT OR T-52T OR T-60RT  
(PACKED IN SEPARATE BOX)

Printed in Vietnam

REVISED MAY 20, 2019