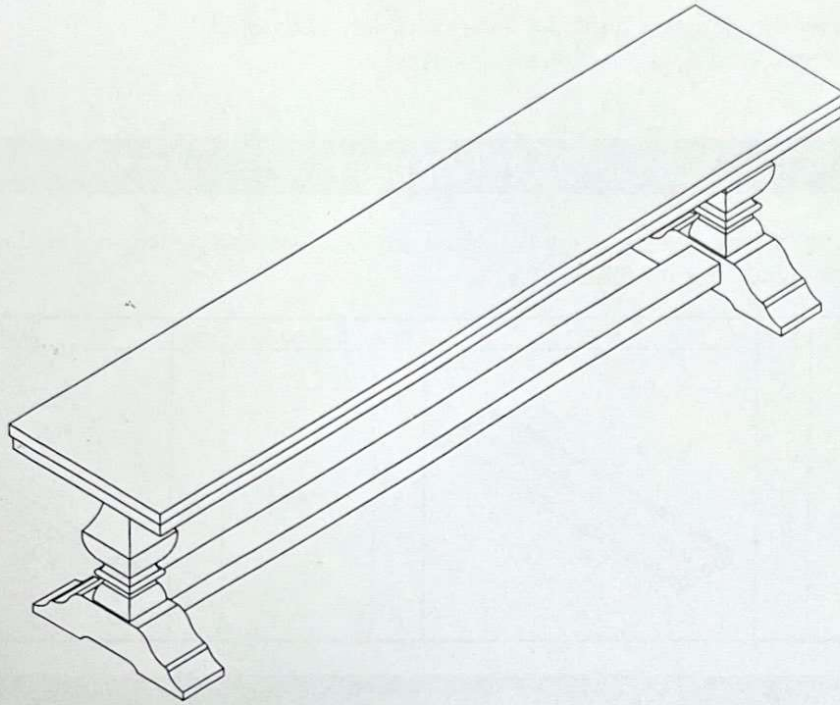


ASSEMBLY INSTRUCTIONS



Description : 74 IN TRESTLE BENCH
Item No. : BE-18A AND BE-18B

ITEM NO.: BE-18A AND BE-18B
ISSUED JUN 04, 2020

Printed in Vietnam
THIS ITEM IS PACKED IN TWO CARTONS

BEFORE ASSEMBLY

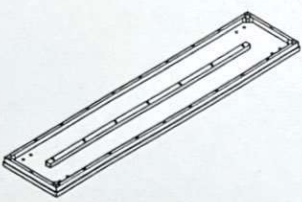
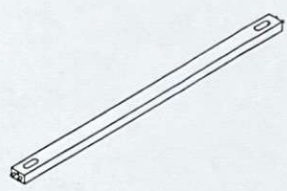
Thank you for purchasing this quality product. This product has been designed for easy assembly and constructed for durability. All parts were checked prior to packaging to insure quality. Prior to beginning assembly, however, make sure all parts and hardware are included and free of obvious defect. If a part is missing or defective, please contact the store where purchased. If hardware is missing, or you need help with assembly, please call toll free 888-944-8396.

IMPORTANT NOTE:

- Place all wooden parts on a clean and smooth surface such as a rug or carpet to avoid the parts from being scratched.
- Remove all wrapping material, including staples & packing straps before you start to assemble.
- DO NOT tighten all screws and bolts until completely assembled.
- Keep all hardware parts out of reach of children.

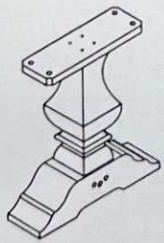
PART LIST BE-18A

When unpacking, please be careful not to discard any parts with the packaging. Before continuing, please make sure you have the following parts:

NO	Description	Qty	Sketch	NO	Description	Qty	Sketch
A	Top	1		B	Cross bar	1	

PART LIST BE-18B

When unpacking, please be careful not to discard any parts with the packaging. Before continuing, please make sure you have the following parts:







NO	Description	Qty	Sketch	NO	Description	Qty	Sketch
C	Base	2					

ITEM NO.: BE-18A AND BE-18B
ISSUED JUN 04, 2020

Printed in Vietnam
THIS ITEM IS PACKED IN TWO CARTONS

HARDWARE LIST

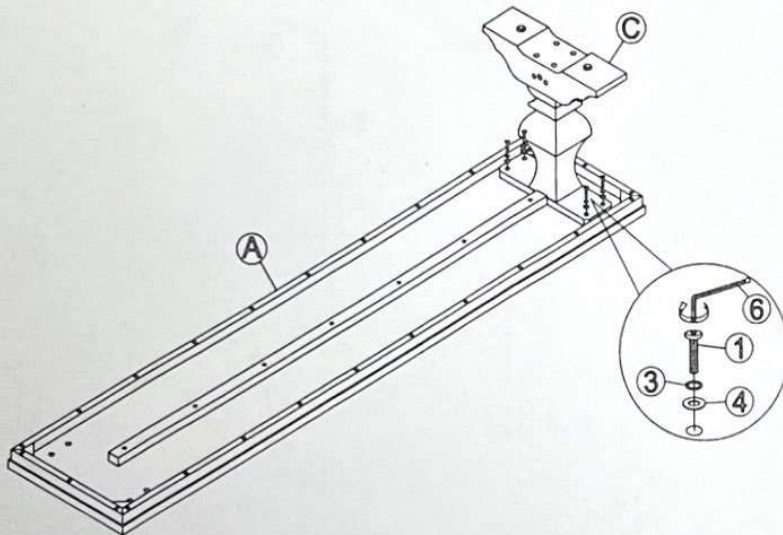
When unpacking, please be careful not to discard any parts with the packaging. Before continuing, please make sure you have all of the following hardware:

NO	Description	Qty	Sketch	NO	Description	Qty	Sketch
1	Short Bolt (M6 x 35mm)	8		2	Long Bolt (M6 x 70mm)	2	
3	Lock Washer (Φ6.5 x 11mm)	8		4	Flat Washer (Φ6.5 x 19mm)	8	
5	U - Washer (M6)	2		6	Allen Key (M4 x 30mm x 110mm)	1	

NOTE: HARDWARE IS PACKED IN CARTON BE-18B.

STEP 1

Attach base (C) to the top (A) with bolts (1), and washers (3) and (4) as shown below. Tighten with Allen key (6).



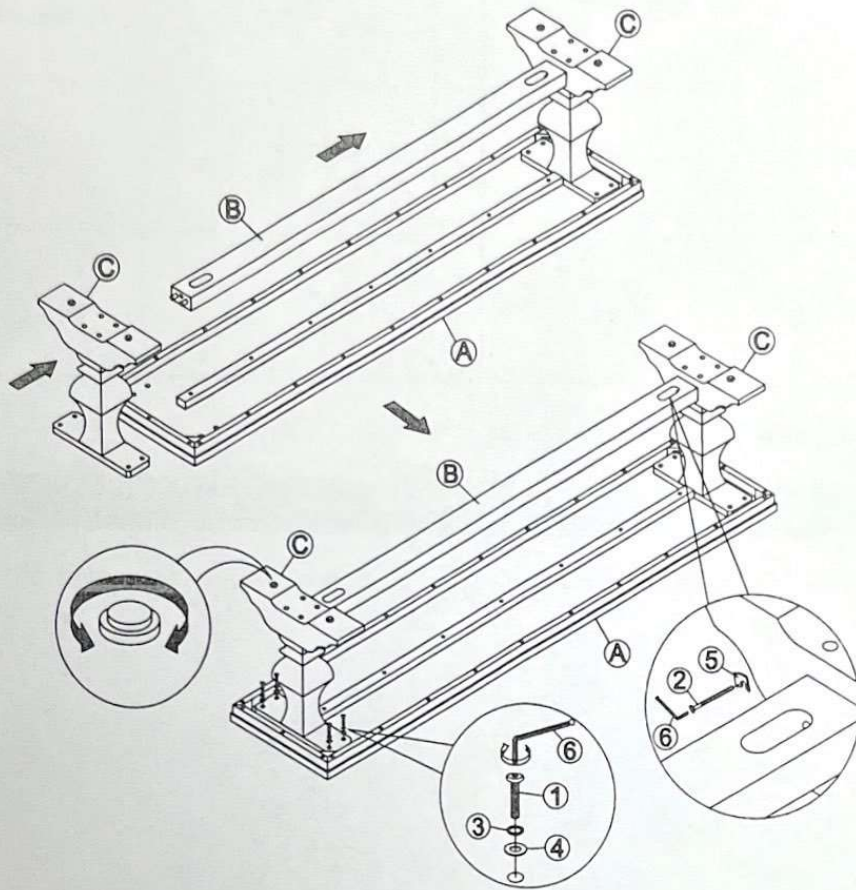
ITEM NO.: BE-18A AND BE-18B
ISSUED JUN 04, 2020

Printed in Vietnam
THIS ITEM IS PACKED IN TWO CARTONS

STEP 2

Attach crossbar (B) to bases (C) with bolts (2) and u-washers (5) as shown below. Tighten with Allen key (6). Attach the other base (C) to top (A) with bolts (1), and washers (3) and (4) as shown below. Tighten with Allen key (6).

Adjust the levelers to the appropriate height to level the unit.



ITEM NO.: BE-18A AND BE-18B
ISSUED JUN 04, 2020

Printed in Vietnam
THIS ITEM IS PACKED IN TWO CARTONS